

OUTLINE FOR ASCO® 300 SERIES 2600-3200 AMPERE "G" FRAME (3ATS,3NTS,3ADTS,3NDTS) REAR CONNECTED TRANSFER SWITCHES OPEN TYPE

GENERAL NOTES

1. THE SWITCH CONFIGURATION IS FOR TOP LUGS EMERGENCY, CENTER LUGS LOAD, AND BOTTOM LUGS NORMAL (REFER TO THE WIRING DIAGRAM FURNISHED WITH EACH TRANSFER SWITCH TO DETERMINE TERMINATION POSITIONS).
2. NEUTRAL CONFIGURATIONS:
 AN FULL RATED NEUTRAL CONFIGURATION FOR EACH SOURCE AND THE LOAD MAY BE PROVIDED. WHEN EQUIPPED IT IS IN ONE OF THE FOLLOWING FORMATS AS SPECIFIED BY THE CATALOG NUMBER NO. NEUTRAL TYPE:
 (A) SOLID (COPPER BUS) NEUTRAL
 (B) SWITCHED NEUTRAL POLE
3. THE STANDARD MECHANICAL (SCREW TYPE) AL/CU TERMINAL LUGS ARE SHOWN FOR REFERENCE.
4. SWITCH NEUTRAL POLE IS SHOWN FOR REFERENCE.
5. WHEN INSTALLING CONDUCTORS, CONNECT TO SIMILARLY MARKED PHASES OF NORMAL, EMERGENCY & LOAD.
6. ALL INTERNAL CONNECTIONS ARE MADE AT FACTORY.
7. MAINTAIN ELECTRICAL CLEARANCE OF 1.00" [25.4mm] BETWEEN LIVE METAL PARTS AND GROUNDED METAL.
8. WHEN MOUNTING THE TRANSFER SWITCH IN THE ENCLOSURE, THE CONTROL PANEL(S) AND OPERATOR CONTROLS SHOULD BE MOUNTED ON THE INSIDE, REAR SURFACE OF THE DOOR. 6.00" [152.4mm] MIN. DEPTH TO TRANSFER SWITCH FOR CONTROLS IS REQUIRED.
9. THE CONTROL PANEL(S) IS CONNECTED TO THE TRANSFER SWITCH BY A HARNESS WITH A QUICK DISCONNECT PLUG(S). THE HARNESS EXITS THE TRANSFER SWITCH ON THE RIGHT SIDE. CONSULT FACTORY FOR EXTENSION HARNESSES.
10. OPTIONAL ACCESSORY ADD-ON PANELS.
11. FOR TYPE 1 ENCLOSURE SEE DETAIL A -1 AND DETAIL B -1 FOR CUTOUT DATA. FOR TYPE 3R, 4, & 12 ENCLOSURE SEE DETAIL A -2 & DETAIL B -2 FOR CUTOUT DATA. GASKETS AND BEZELS ARE PROVIDED FOR TYPE 3R, 4, & 12 ENCLOSURE.
12. CUSTOMER TERMINAL BLOCKS (SEE SHEET 2):
 FOR 3ATS, 3NTS, 3ADTS AND 3NDTS THE TB WILL BE MOUNTED ON THE TRANSFER SWITCH.

SIZE	CABLE ACCOMMODATIONS (PER PHASE & NEUTRAL)
2600-3200	SCREW TYPE (STANDARD)- (12) 1/0 - 750 MCM AL/CU

NOTE: CONSULT FACTORY FOR OTHER CABLING & TERMINATION REQUIREMENTS.

APPROXIMATE SHIPPING WEIGHT, LBS (KG)

AMP SIZE	POLES	WEIGHT
2600 TO 3200	2	767 (348)
	B2	917 (416)
	C2	917 (416)
	3	917 (416)
	B3	997 (452)
C3	997 (452)	

MINIMUM ENCLOSURE REQUIREMENTS INCH (mm)

SWITCH RATING (AMPS)	HEIGHT	WIDTH	DEPTH
2600 & 3200	90 (2286)	38 (965)	60 (1524)

ENCLOSURE VENTILATION REQUIRED
 TOTAL VENTILATION = 173 IN² (111613mm²) MINIMUM.
 RECOMMENDED: 33 IN² (21290mm²) FRONT
 140 IN² (90322mm²) REAR

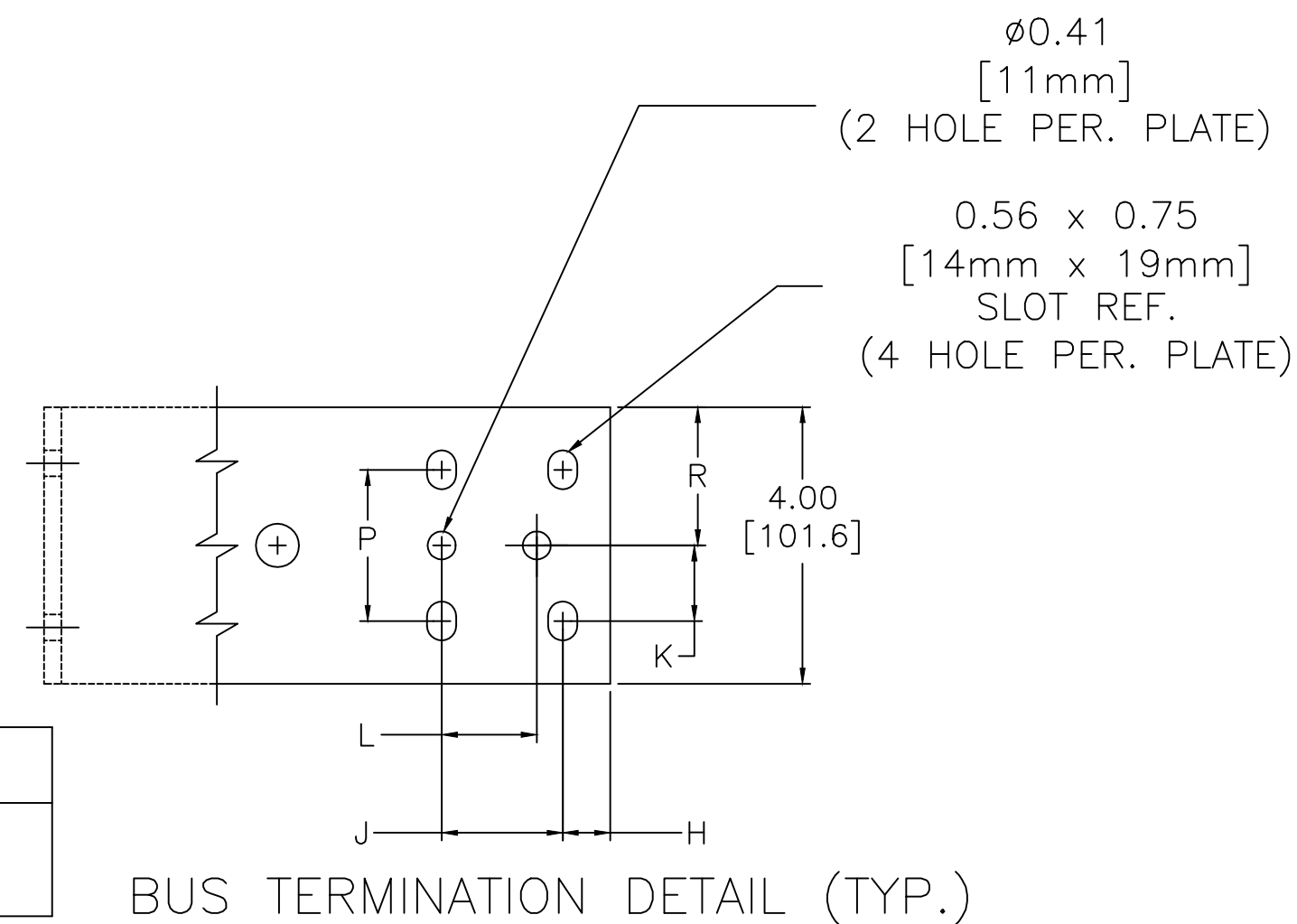
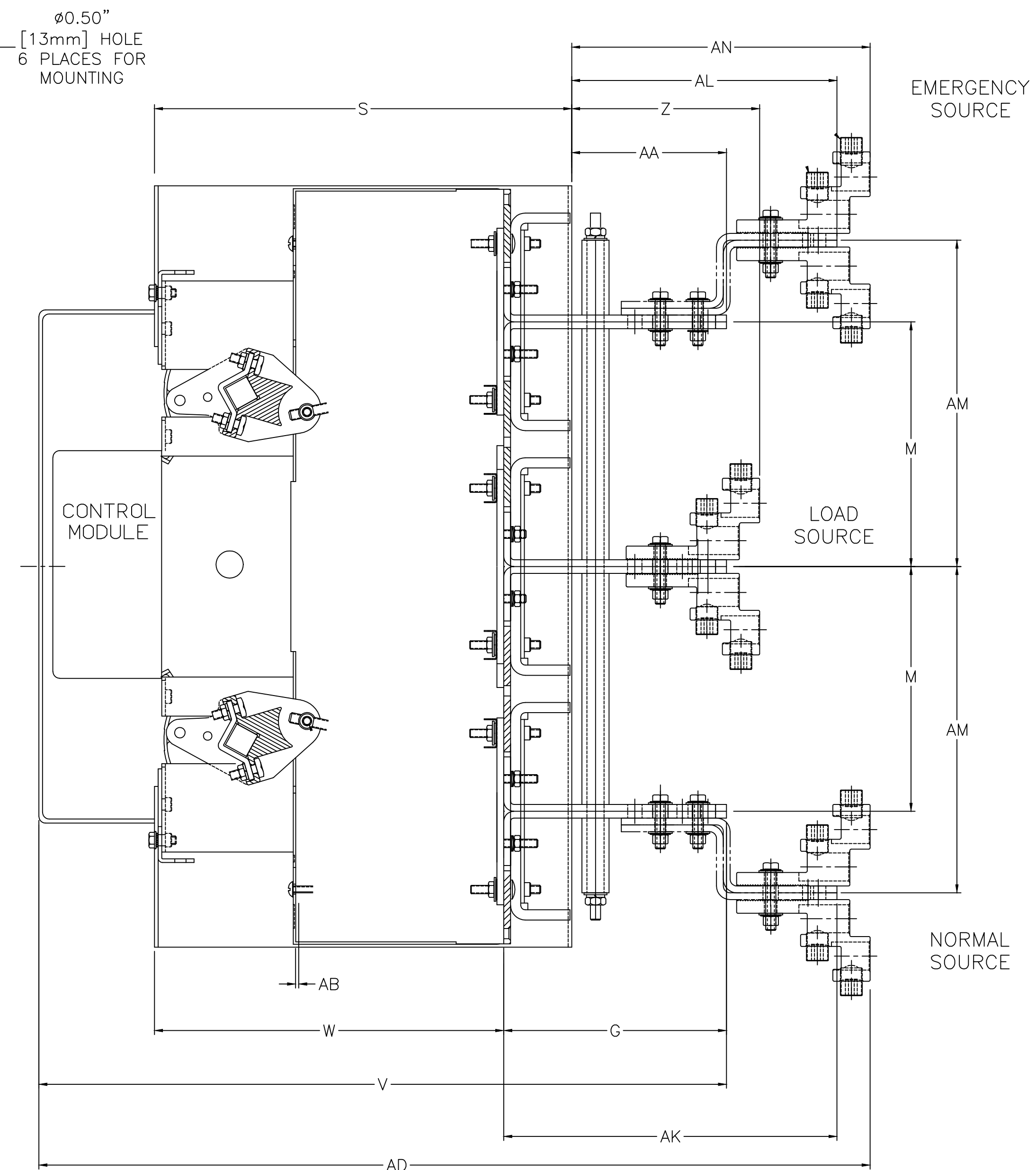
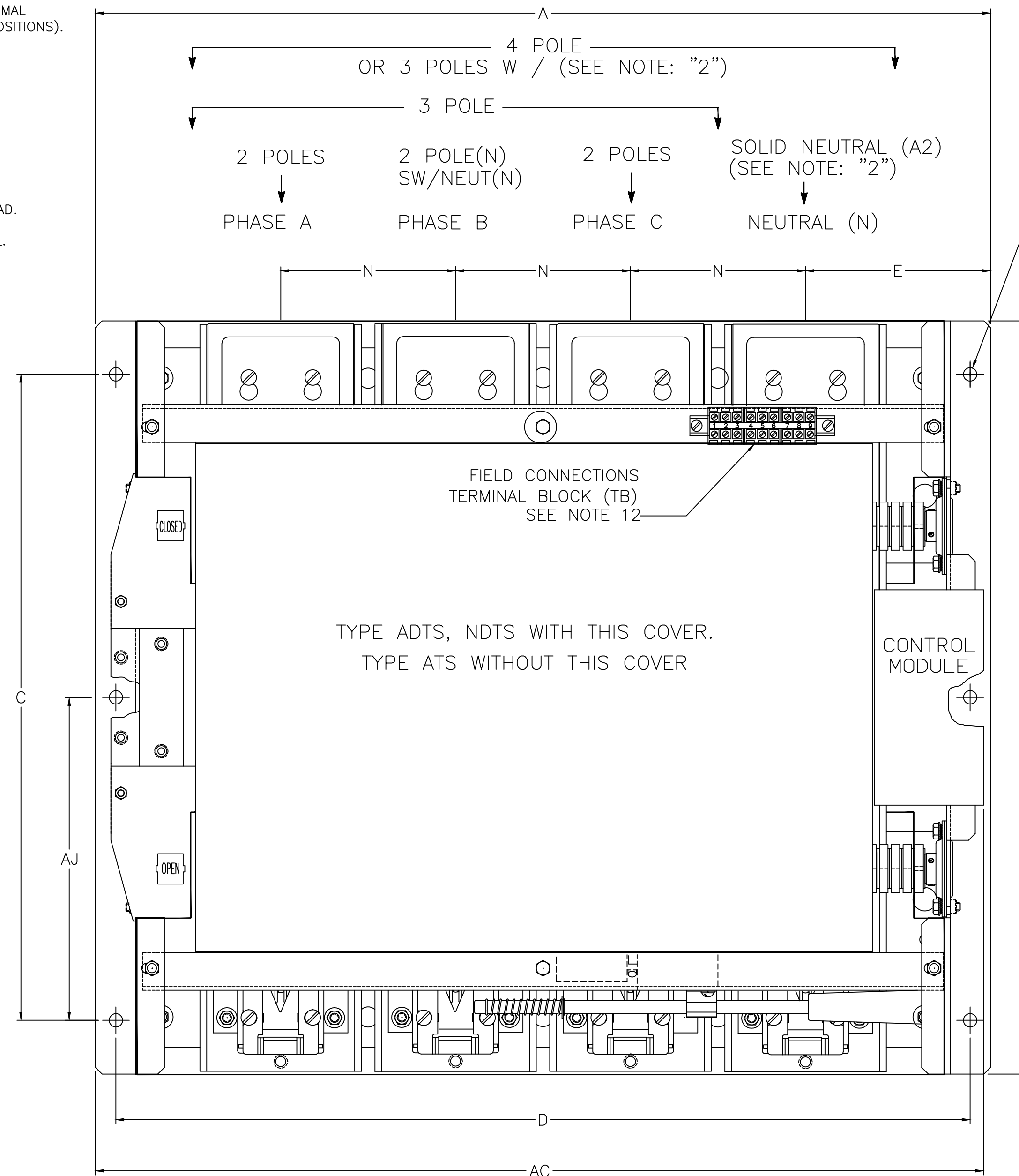
AMP SIZE	DIMENSIONS									
	A	B	C	D	E	F	G	H	J	K
2600 & 3200	33.27 (845,1)	28.00 (711,2)	24.00 (609,6)	31.75 (806,5)	6.88 (174,8)	—	8.20 (208,3)	0.68 (17,27)	1.75 (44,45)	1.09 (27,7)

AMP SIZE	DIMENSIONS									
	L	M	N	P	Q	R	S	T	U	V
2600 & 3200	1.37 (34,80)	9.00 (228,6)	6.50 (165,1)	2.18 (55,37)	—	2.00 (50,8)	14.9 (378,5)	—	—	25.29 (642,4)

AMP SIZE	DIMENSIONS									
	W	X	Y	Z	AA	AB	AC	AD	AE	AF
2600 & 3200	12.36 (313,9)	—	—	6.90 (175,3)	5.69 (144,5)	0.112 (2,85)	33.00 (838,2)	30.57 (776,5)	—	—

AMP SIZE	DIMENSIONS						
	AG	AH	AJ	AK	AL	AM	AN
2600 & 3200	—	—	12.00 (304,8)	12.25 (311,2)	9.75 (247,7)	12.00 (304,8)	11.00 (279,4)

AMP SIZE	BUS BAR PER PHASE BOLTING SURFACE
2600 THRU 3200	0.25" x 4.00" [6,4mm x 101,6mm]



E	289440	TR	MM	05/19/21
D	265715	TR	BK	03/24/17
C	255326	AE	BK	06/12/15
B	255135	TR	BK	6/3/15
A	246211	AE	BK	1/10/14
—	246132	BWM	BK	1/6/14

PROJECT NAME: **OUTLINE 300 SERIES TS "G" 2600-3200 AMPS OPEN TYPE**

BY: **BWM** DATE: **1/6/14**

CHECKED: **BK** DATE: **1/6/14**

PROJECT APPROVAL: **BK** DATE: **1/6/14**

FINAL APPROVAL: **BK** DATE: **1/6/14**

SCALE: **DS**

DWG. NO.: **1001395-005**

ISSUE: **1** OF **2**

REV. TO SHEET: **E** ECN NO.: **289440** BY: **MM** APP. DATE: **05/19/21**

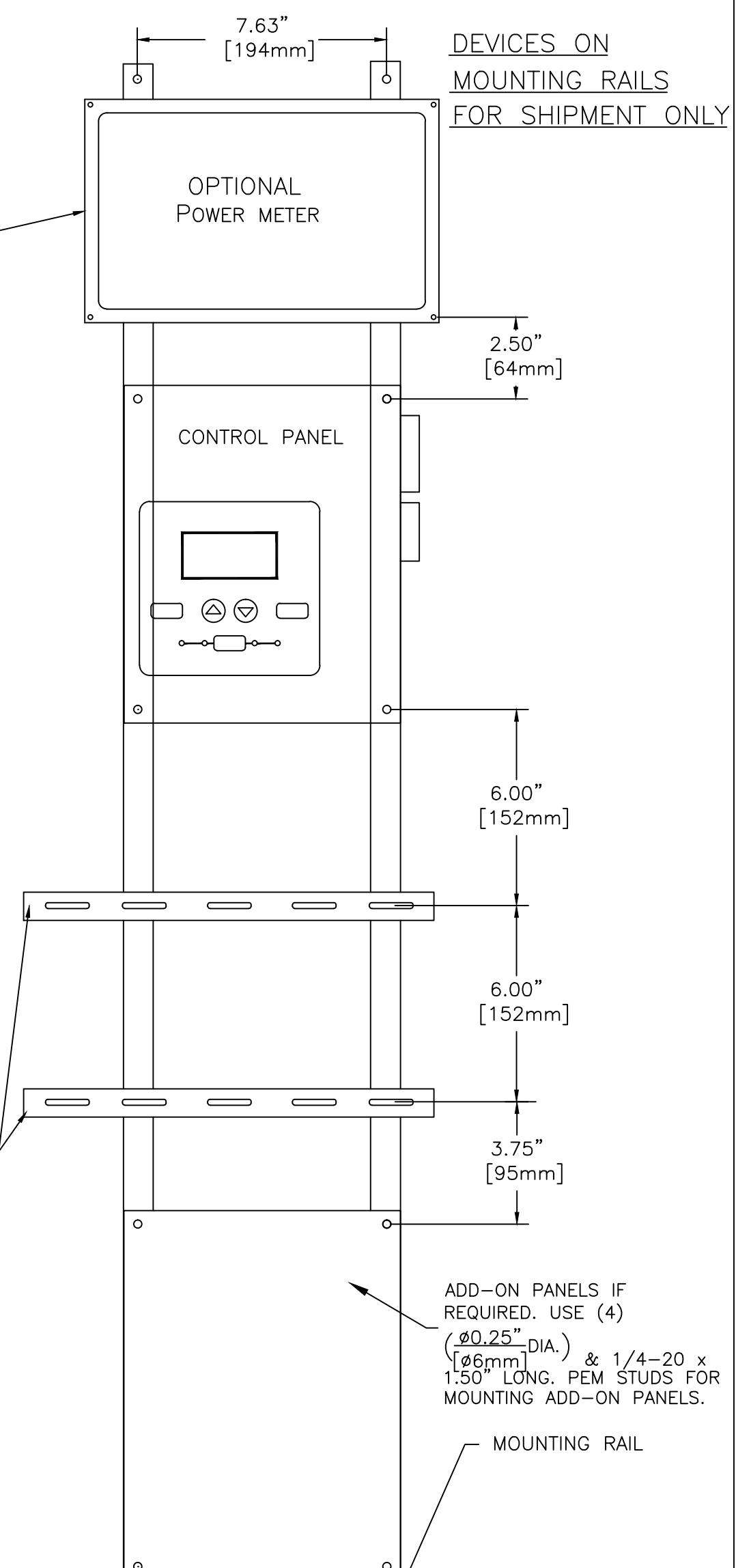
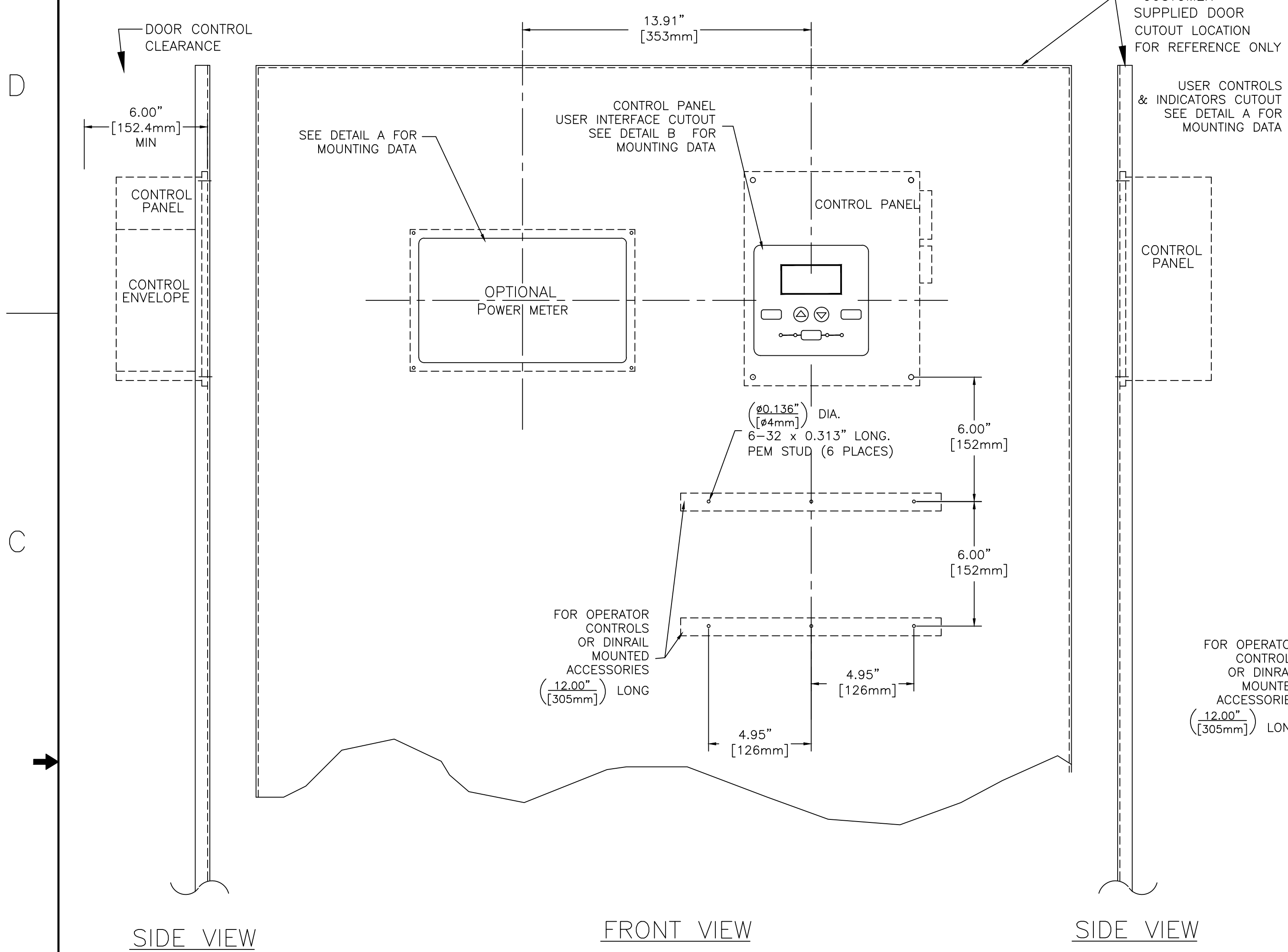
MANUFACTURING TOLERANCES TO BE IN ACCORDANCE WITH ASCO PROCEDURE MP-1-003. FOR PLASTIC PARTS SEE MP-1-055.

PROPERTY OF ASCO POWER TECHNOLOGIES. USE PERMITTED FOR OUR WORK ONLY. ALL RIGHTS OF DESIGN OR INVENTION ARE RESERVED.

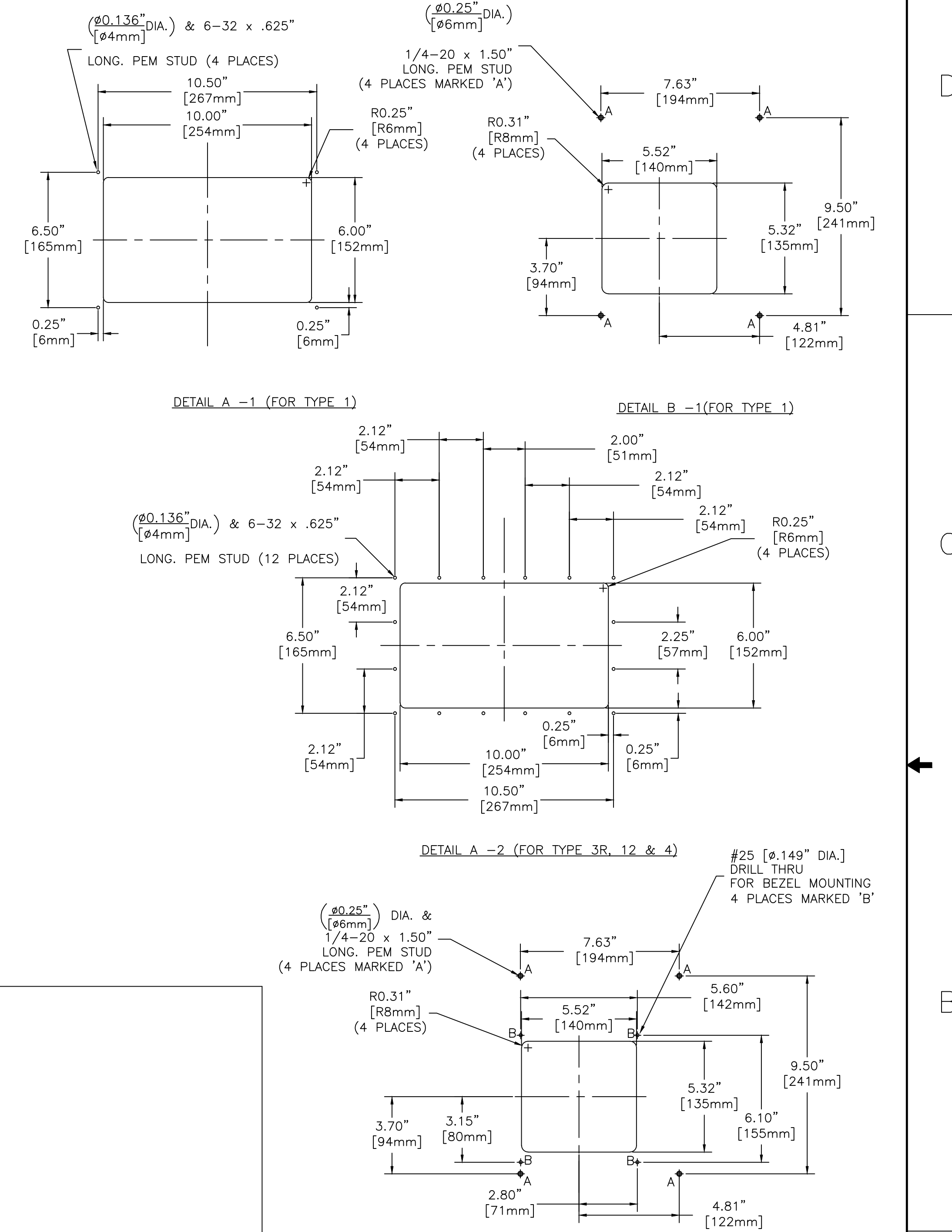
ASCO ASCO POWER TECHNOLOGIES, L.P. FLOHAM PARK, NEW JERSEY 07932 U.S.A.

OUTLINE FOR ASCO® 300 SERIES 2600-3200 AMPERE "G" FRAME (3ATS,3NTS,3ADTS,3NDTS) REAR CONNECTED TRANSFER SWITCHES OPEN TYPE

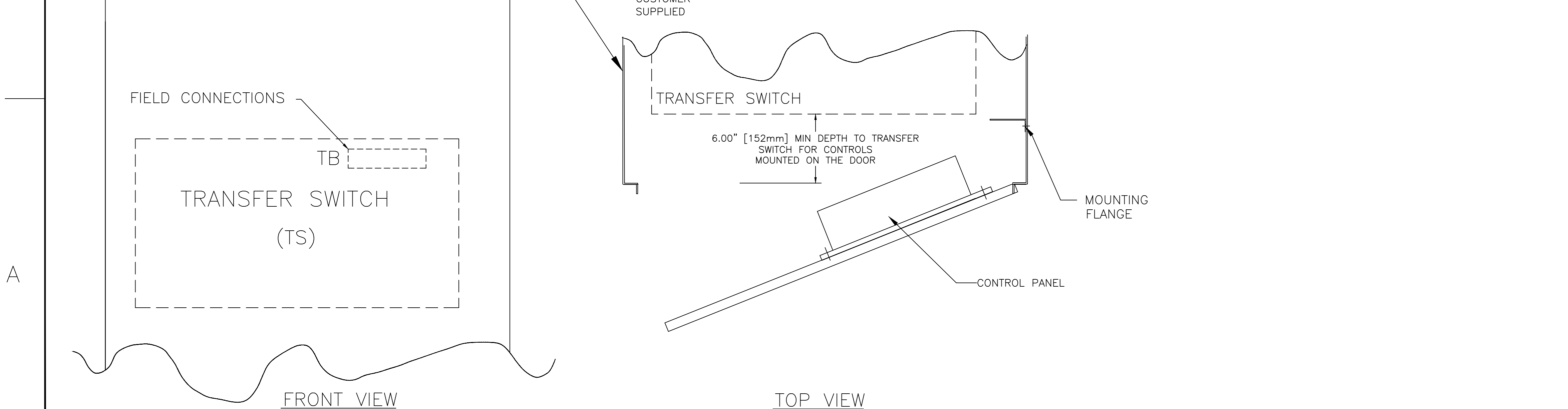
CONTROL PANEL & POWER METER MOUNTING



CONTROL PANEL & POWER METER DATA



CONTROL PANEL MINIMUM SPACING REQUIRED



PROJECT NAME:	REV. TO SHEET	ECN NO.	BY	APP.	DATE																																				
<table border="1" style="width: 100%;"> <tr> <td style="width: 10%;">E</td> <td style="width: 30%;">289440</td> <td style="width: 10%;">TR</td> <td style="width: 10%;">MM</td> <td style="width: 10%;">05/19/21</td> <td style="width: 10%;">SEE ECN</td> </tr> <tr> <td>D</td> <td>265715</td> <td>TR</td> <td>BK</td> <td>03/24/17</td> <td>SEE ECN</td> </tr> <tr> <td>C</td> <td>255326</td> <td>AE</td> <td>BK</td> <td>06/12/15</td> <td>SEE ECN</td> </tr> <tr> <td>B</td> <td>255135</td> <td>TR</td> <td>BK</td> <td>6/3/15</td> <td>SEE ECN</td> </tr> <tr> <td>A</td> <td>246211</td> <td>AE</td> <td>BK</td> <td>1/10/14</td> <td>SEE ECN</td> </tr> <tr> <td>-</td> <td>246132</td> <td>BWM</td> <td>BK</td> <td>1/6/14</td> <td>ISSUE</td> </tr> </table>						E	289440	TR	MM	05/19/21	SEE ECN	D	265715	TR	BK	03/24/17	SEE ECN	C	255326	AE	BK	06/12/15	SEE ECN	B	255135	TR	BK	6/3/15	SEE ECN	A	246211	AE	BK	1/10/14	SEE ECN	-	246132	BWM	BK	1/6/14	ISSUE
E	289440	TR	MM	05/19/21	SEE ECN																																				
D	265715	TR	BK	03/24/17	SEE ECN																																				
C	255326	AE	BK	06/12/15	SEE ECN																																				
B	255135	TR	BK	6/3/15	SEE ECN																																				
A	246211	AE	BK	1/10/14	SEE ECN																																				
-	246132	BWM	BK	1/6/14	ISSUE																																				
OUTLINE 300 SERIES TS "G" 2600-3200 AMPS OPEN TYPE																																									
DRAWN BY: BWM CHECKED: BK PROJECT APPROVAL: BK FINAL APPROVAL:	DATE: 1/6/14 DATE: 1/6/14 DATE: 1/6/14	MANUFACTURING TOLERANCES TO BE IN ACCORDANCE WITH ASCO PROCEDURE MP-1-003. FOR PLASTIC PARTS SEE MP-1-005. PROPERTY OF ASCO POWER TECHNOLOGIES. USE PERMITTED FOR OUR WORK ONLY. ALL RIGHTS OF DESIGN OR INVENTION ARE RESERVED.	ASSEM. REF. NO. SCALE: NONE SIZE: DS	COMPUTER GENERATED DRAWING DWG. NO.: 1001395-005 DRAWING E: ECH ECN: 289440	SHEET: 2 OF 2																																				