


8 7 6 5 4 3 2 1

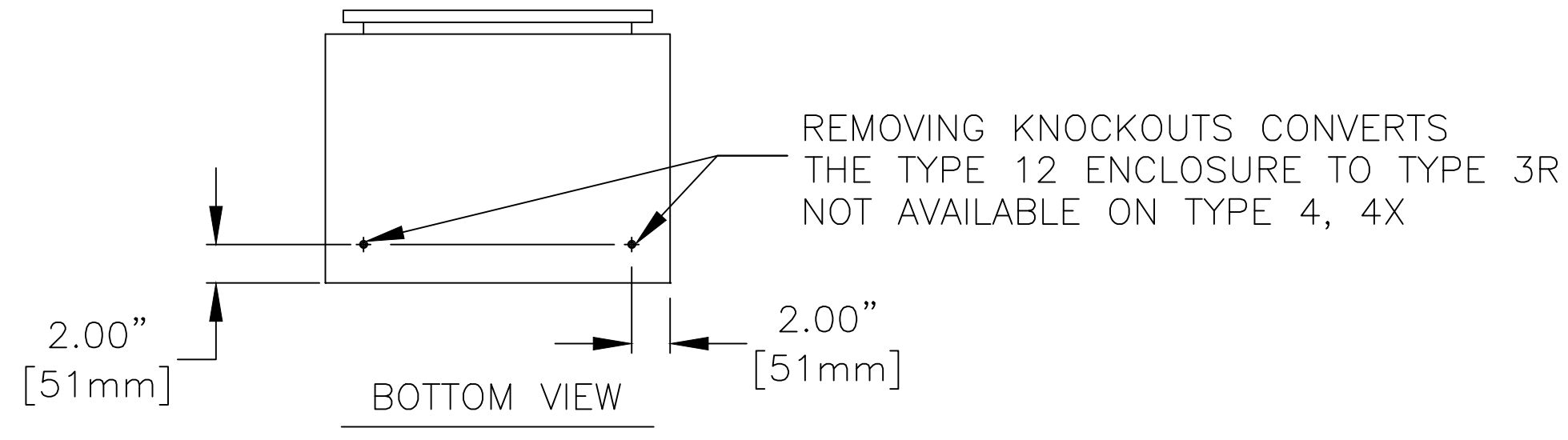
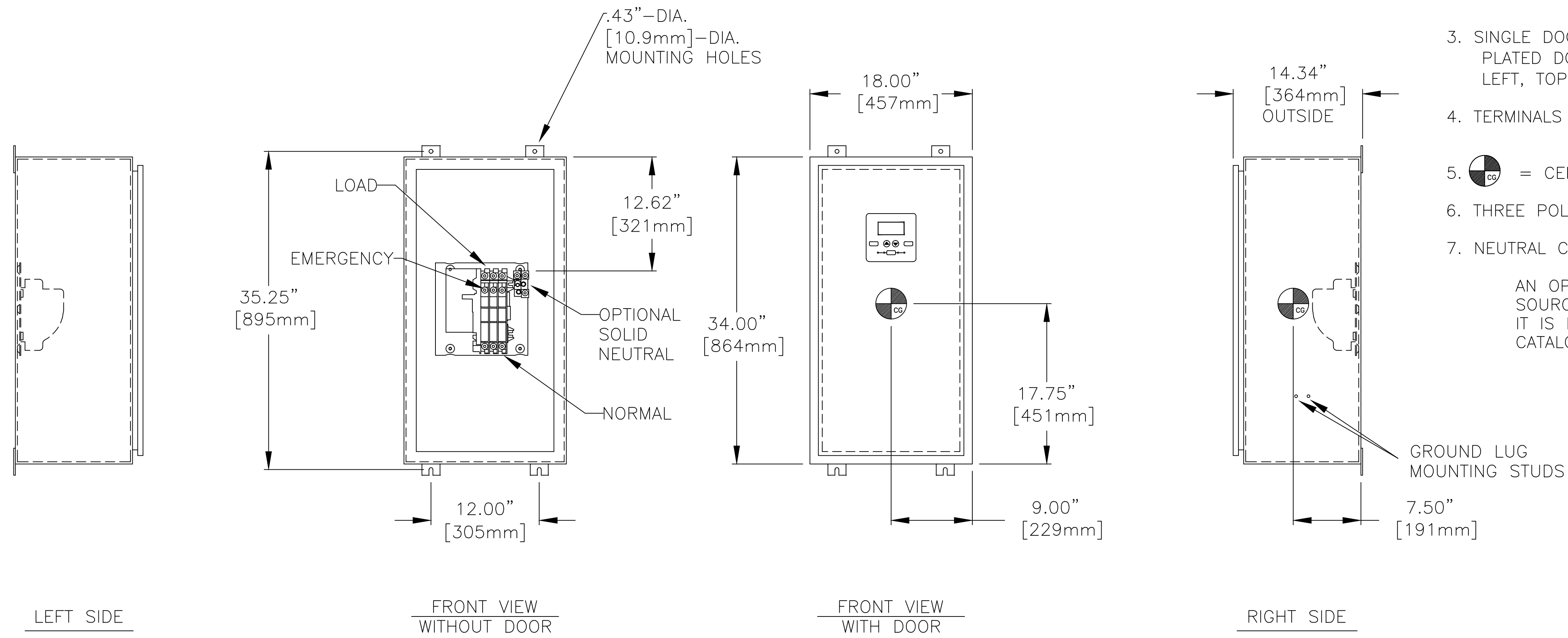
OUTLINE FOR ASCO® 300 SERIES TRANSFER SWITCHES (D3ATS/D3NTS) 30-200 AMPERES, TYPE 3R/4/4X/12 ENCLOSURE

1. TYPE 3R/4/4X/12 WALL MOUNTED ENCLOSURE.
2. STANDARD FINISH TYPE 3R/4/12: ANSI 61 GRAY. POLYESTER POWDER STANDARD. UL RECOGNIZED. OTHER ANSI COLORS AVAILABLE CONSULT FACTORY.
FINISH TYPE 4X: ENCLOSURE BODY #2B
DOOR SMOOTH BRUSHED #3.
TYPE 4X (U) EXTERIOR CONSTRUCTED OF CODE GAUGE TYPE 316 STAINLESS STEEL.
TYPE 4X (H) EXTERIOR CONSTRUCTED OF CODE GAUGE TYPE 304 STAINLESS STEEL.
3. SINGLE DOOR, RIGHT SIDE HINGE, LEFT SIDE PADLOCK HASP, PLATED DOOR CLAMPS (LEFT SIDE FOR TYPES 3R & 12; LEFT, TOP & BOTTOM FOR TYPE 4).
4. TERMINALS – SCREW TYPE LUGS FOR EXTERNAL POWER CONNECTIONS.
5.  = CENTER OF GRAVITY.
6. THREE POLE SWITCH WITH SOLID NEUTRAL SHOWN FOR REFERENCE.
7. NEUTRAL CONFIGURATIONS:

AN OPTIONAL FULL RATED NEUTRAL CONFIGURATION FOR EACH SOURCE AND THE LOAD MAY BE PROVIDED. WHEN EQUIPPED IT IS IN ONE OF THE FOLLOWING FORMATS AS SPECIFIED BY THE CATALOG NUMBER NO. NEUTRAL TYPE:

- (A) SOLID (COPPER BUS) NEUTRAL
- (B) SWITCHED NEUTRAL POLE
- (C) OVERLAPPING NEUTRAL POLE (SEE NOTICE)

NOTICE:
When an overlapping switched neutral assembly is provided, the normal and emergency source neutral terminations are physically reversed from those of the normal and emergency source phase terminations. Locate the neutral termination markings and review the wiring diagram before connecting the neutral conductors



SWITCH RATING (AMPS)	RANGE OF WIRE
30-150	(1) #14 TO 4/0 AWG AL-CU WIRE
200	(1) #14 TO 4/0 AWG COPPER WIRE

APPROXIMATE SHIPPING WEIGHT, LBS KG		
AMP SIZE	POLES	WEIGHT
30-200	A2	86 (39)
	B2/C2/A3	88 (40)
	B3 & C3	90 (41)

E	289439	TR	NS	05/07/21
	SEE ECN			
D	266971	TR	BK	5/16/17
	SEE ECN			
C	254244	TR	BK	4/15/15
	SEE ECN			
B	252058	WK	BK	12/03/14
	SEE ECN			
A	248677	BWM	SDH	5/30/14
	SEE ECN			
-	245266	BWM	SDH	11/6/13
	ISSUE			

PROJECT NAME: _____

COMPOSITE OUTLINE
300 SERIES, D3ATS/D3NTS RATED 30-200 AMPERES
TYPE 3R/4/4X/12 ENCLOSURE

REV. TO SHEET: _____ ECN NO.: _____ BY: _____ APP.: _____ DATE: _____

MANUFACTURING TOLERANCES TO BE IN ACCORDANCE WITH ASCO PROCEDURE MP-1-003. FOR PLASTIC PARTS SEE MP-1-005.

PROPERTY OF ASCO POWER TECHNOLOGIES. USE PERMITTED FOR OUR WORK ONLY. ALL RIGHTS OF DESIGN OR INVENTION ARE RESERVED.

SCALE: NONE SIZE: DS

DWG. NO. 978723-002

COMPUTER GENERATED DRAWING

ASCOTM ASCO Power Technologies, L.P.
FLORHAM PARK, NEW JERSEY 07932 U.S.A.

DRAWING E ECN NO. 289439 SHEET 1 OF 1