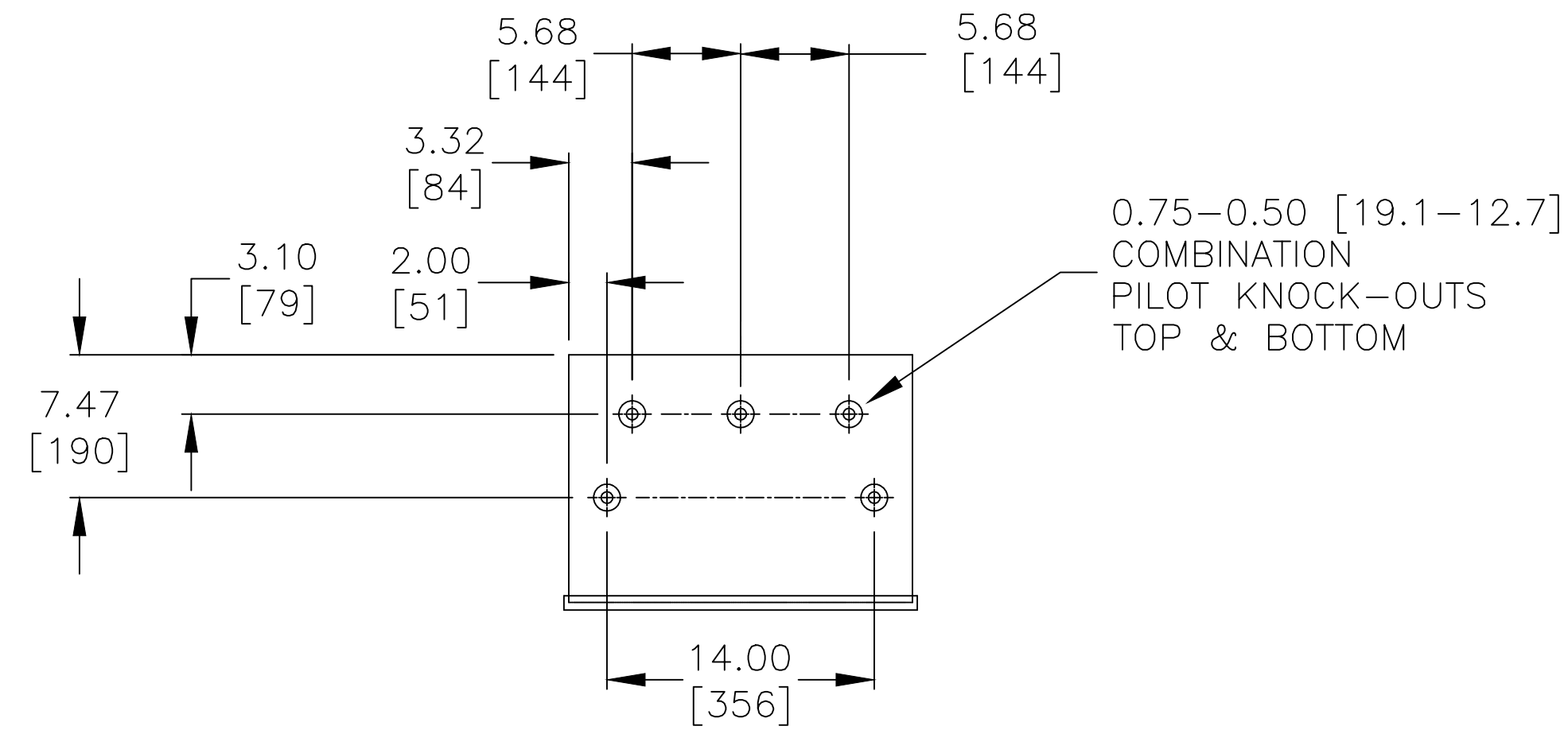
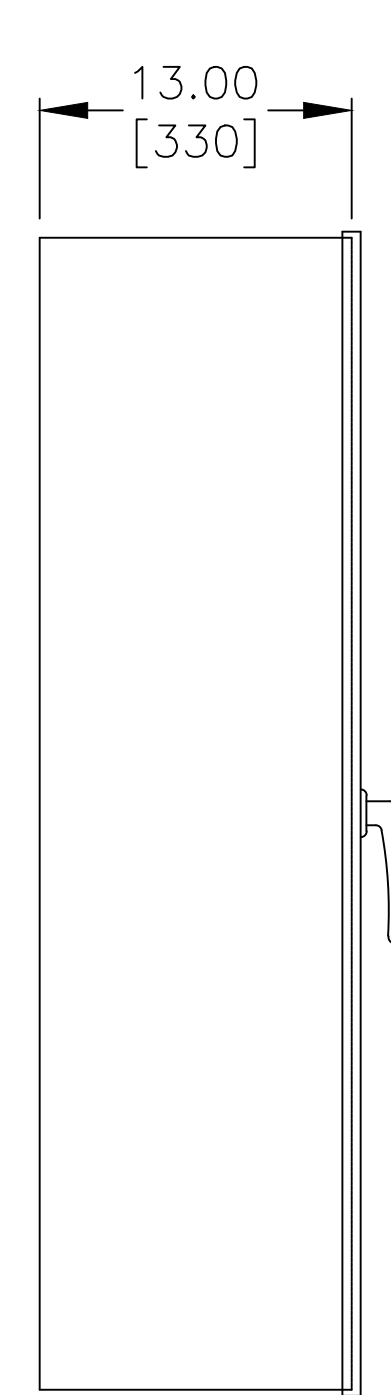


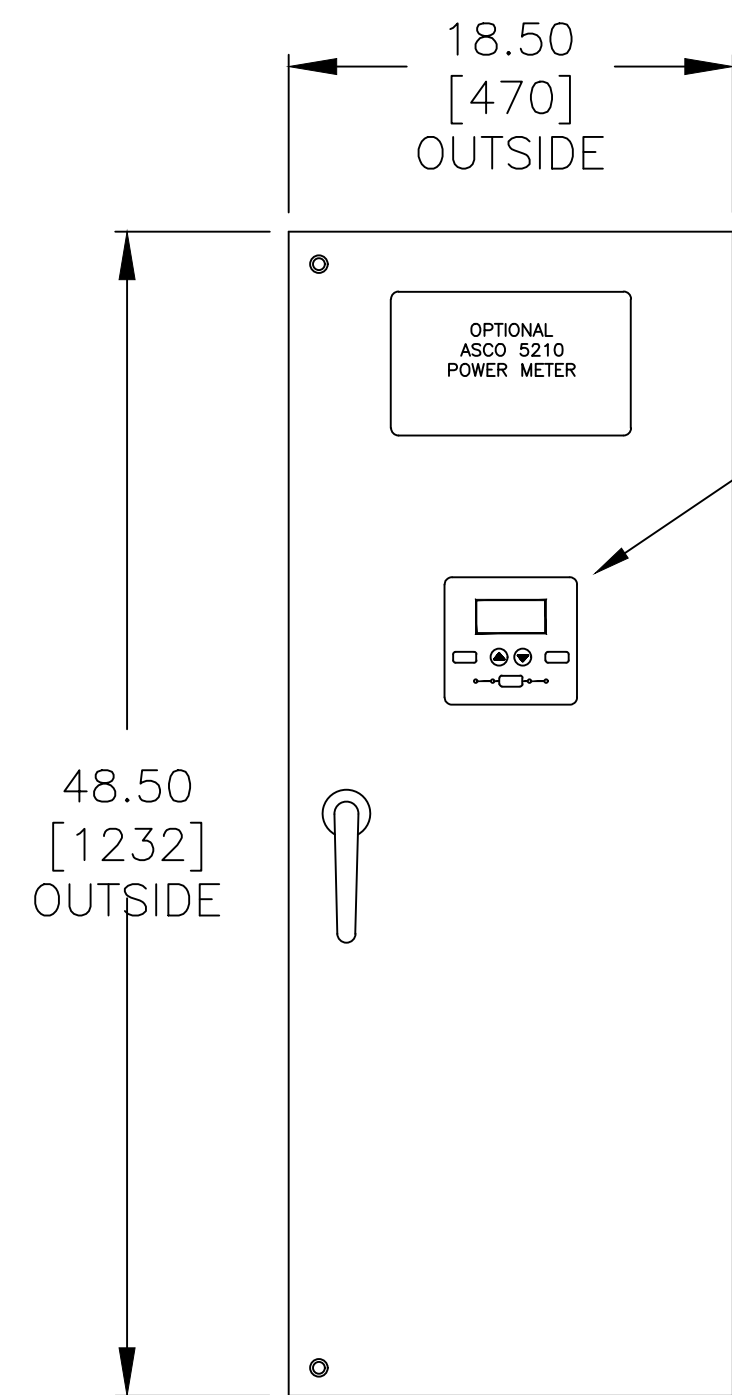
OUTLINE FOR ASCO® 300 SERIES TRANSFER SWITCHES (E3ATS/ E3NTS) 200-400 AMPERES, TYPE 1 ENCLOSURE



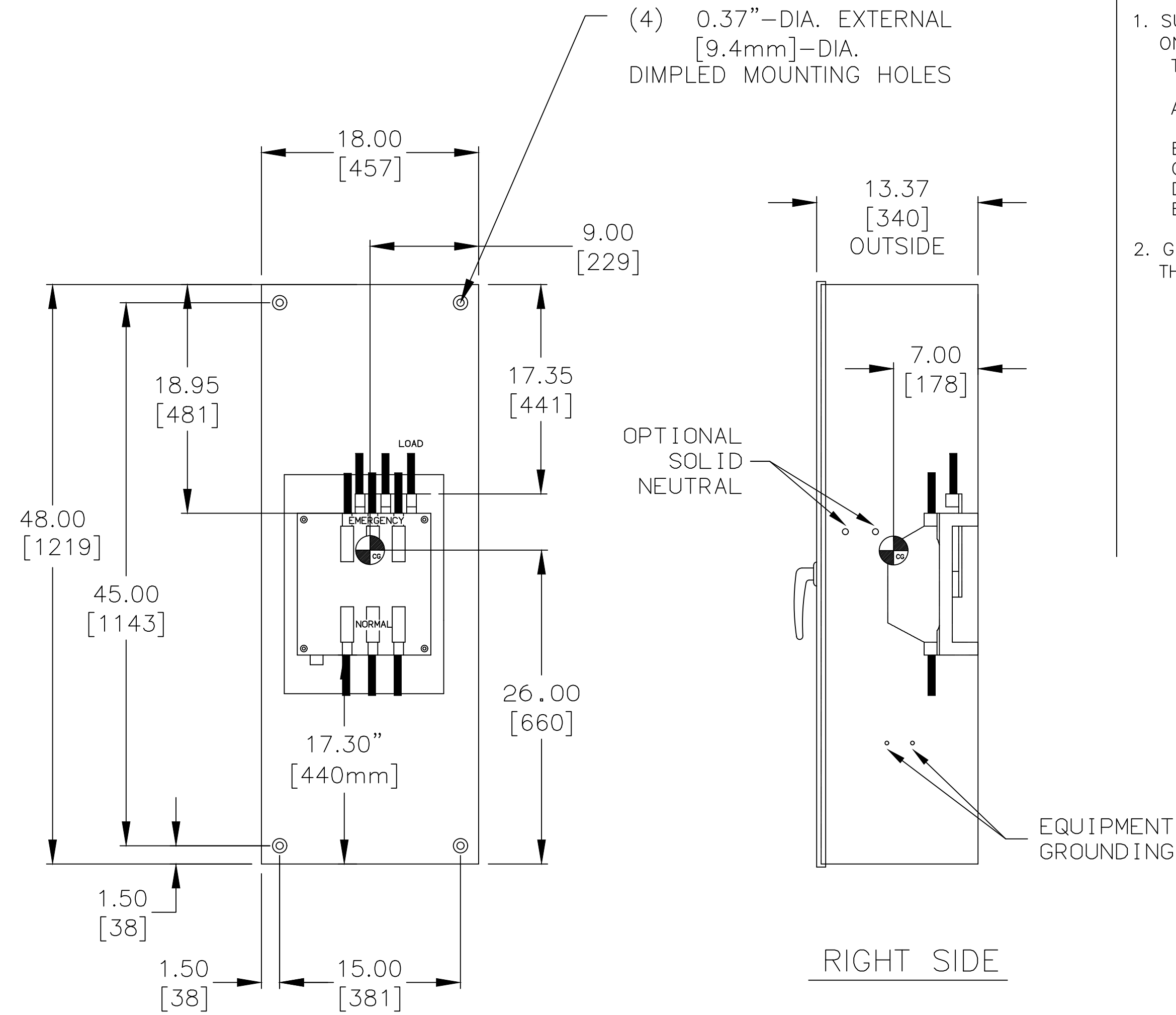
TOP VIEW
TYP. TOP & BOTTOM



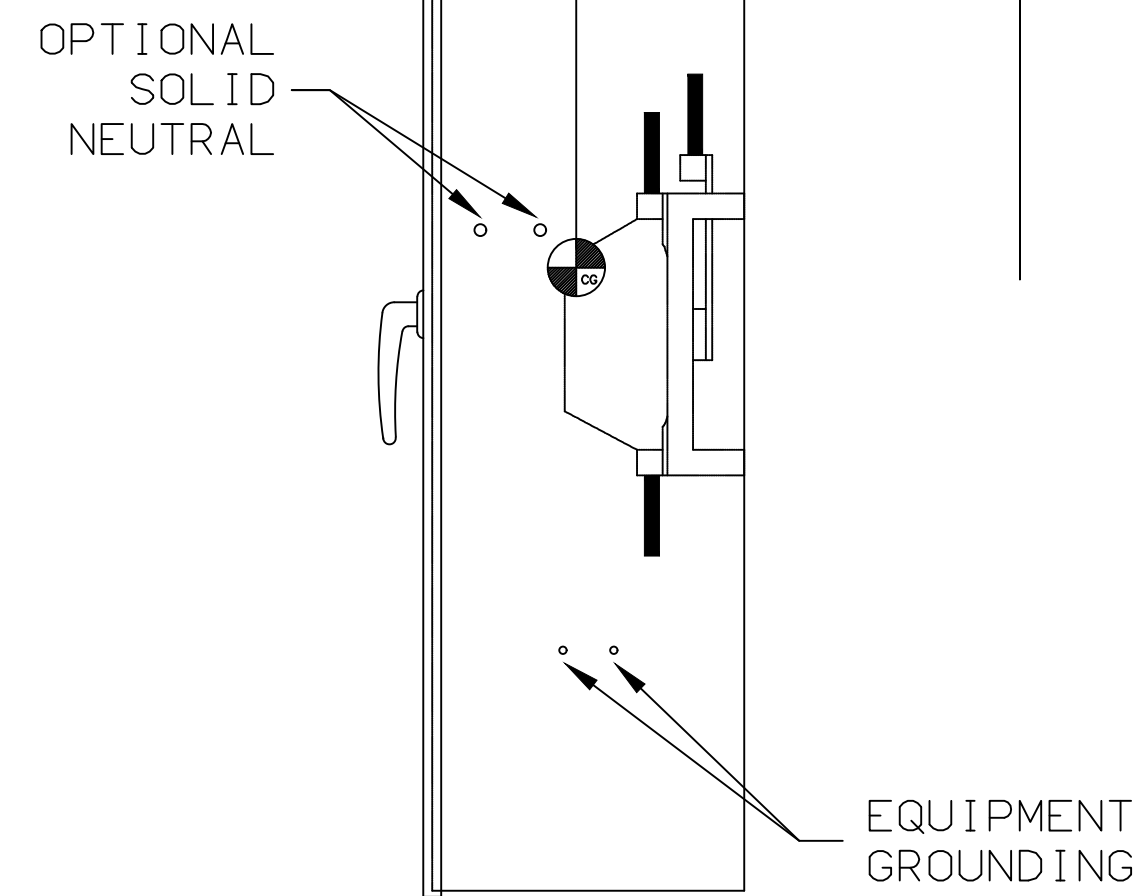
LEFT SIDE



FRONT VIEW
WITH DOOR



FRONT VIEW
WITHOUT DOOR



RIGHT SIDE

- ### GENERAL NOTES
- UL LISTED (UL 50) TYPE 1 ENCLOSURE. WALL MOUNTED.
 - UL LISTED (UL 1008) TRANSFER SWITCH FOR USE ON EMERGENCY SYSTEMS.
 - PAN TYPE DOOR WITH LOCKABLE HANDLE.
 - FINISH: ANSI 61 GRAY, POLYESTER POWDER STANDARD.
 - RECOMMENDED CLEARANCE: FRONT: 60.00"[1524mm].
 - UNIT IS DESIGNED FOR COMBINATION TOP AND BOTTOM CABLE ENTRY. THE TRANSFER SWITCH CONFIGURATION PROVIDES TOP LUGS FOR EMERGENCY AND LOAD, BOTTOM LUGS FOR NORMAL.
 - A FULL RATED NEUTRAL IS OPTIONAL. WHEN PROVIDED IT IS ONE OF THE FOLLOWING TYPES AS INDICATED IN THE CATALOG NO. NEUTRAL TYPE DESIGNATION;
 - (A) SOLID NEUTRAL (ONLY)
 - (B) SWITCHED NEUTRAL POLE (AVAILABLE ONLY ON 2 POLE UNITS).
 - REFER TO THE OPERATOR'S MANUAL PROVIDED WITH EACH UNIT BEFORE INSTALLING AND OPERATING THE SWITCH.
 - CENTER OF GRAVITY

- ### CABLING NOTES
- SUPPLIED WITH STANDARD MECHANICAL (SCREW TYPE) LUGS ON THE NORMAL, EMERGENCY & LOAD. ONE (1) LUG PER PHASE AND NEUTRAL EACH SUITABLE FOR CONNECTION OF: TWO (2) 1/0 -250MCM CU/AL CABLES OR ONE (1) #4 -600MCM CU/AL CABLE.
 - A. SUITABLE WIRE BENDING SPACE IS PROVIDED FOR UP TO ONE (1) 600MCM CABLE PER TERMINAL PER NEC.
 - B. LUG MATERIAL: ALUMINUM ALLOY WITH ELECTRO TIN PLATED FINISH.
 - C. SCREW MATERIAL: ALUMINUM ALLOY WITH ELECTRO TIN PLATED FINISH.
 - D. UL LISTED, CSA CERTIFIED.
 - E. LUG SCREW TIGHTENING TORQUE PER UL 486B: 600 IN.-LBS.
 - GROUND LUGS ARE PROVIDED STANDARD AS FOLLOWS; THREE (3) #6 -250MCM CU/AL CABLES.

UNIT WEIGHT

SWITCH RATING (AMPS)	POLES	WEIGHTS LB (KG)
200-400	2	117 (53)
	2 & NEUTRAL	125 (57)
	3	125 (87)
	3 & NEUTRAL	133 (61)

REV. TO SHEET	ECN NO.	BY	APP.	DATE
PROJECT NAME:				
COMPOSITE OUTLINE				
300 SERIES, E3ATS/E3NTS RATED 200-400 AMPERES				
TYPE 1 ENCLOSURE				
BY	DATE	MANUFACTURING TOLERANCES TO BE IN ACCORDANCE WITH ASCO PROCEDURE MP-1-003. FOR PLASTIC PARTS SEE MP-1-055	ASSEM. REF. NO.	COMPUTER GENERATED DRAWING
SDH	06/26/13			SCALE 1/8" = 1" SIZE DS
CHECKED		PROPERTY OF ASCO POWER TECHNOLOGIES. USE PERMITTED FOR OUR WORK ONLY. ALL RIGHTS OF DESIGN OR INVENTION ARE RESERVED.		DWG. NO.
PROJECT APPROVAL				978732
FINAL APPROVAL	SDH 06/26/13	ASCO POWER TECHNOLOGIES, LP. FLORHAM PARK, NEW JERSEY 07932 U.S.A.		DRAWING REV. C ECN NO. 294610 SHEET 1 OF 1