


**OUTLINE & MOUNTING FOR ASCO® 300 SERIES AUTOMATIC TRANSFER SWITCHING EQUIPMENT (D2ATS/D2NTS) RATED 30-200 AMPERES, TYPE 1 ENCLOSURE**

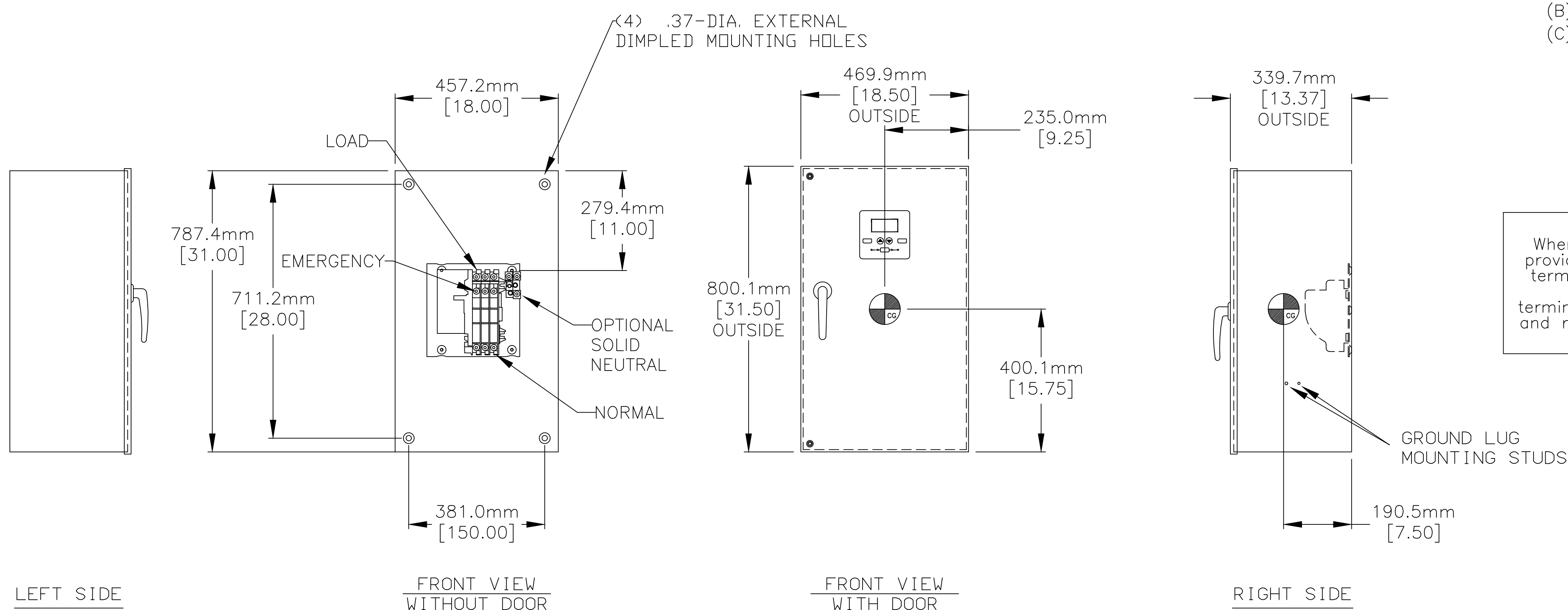
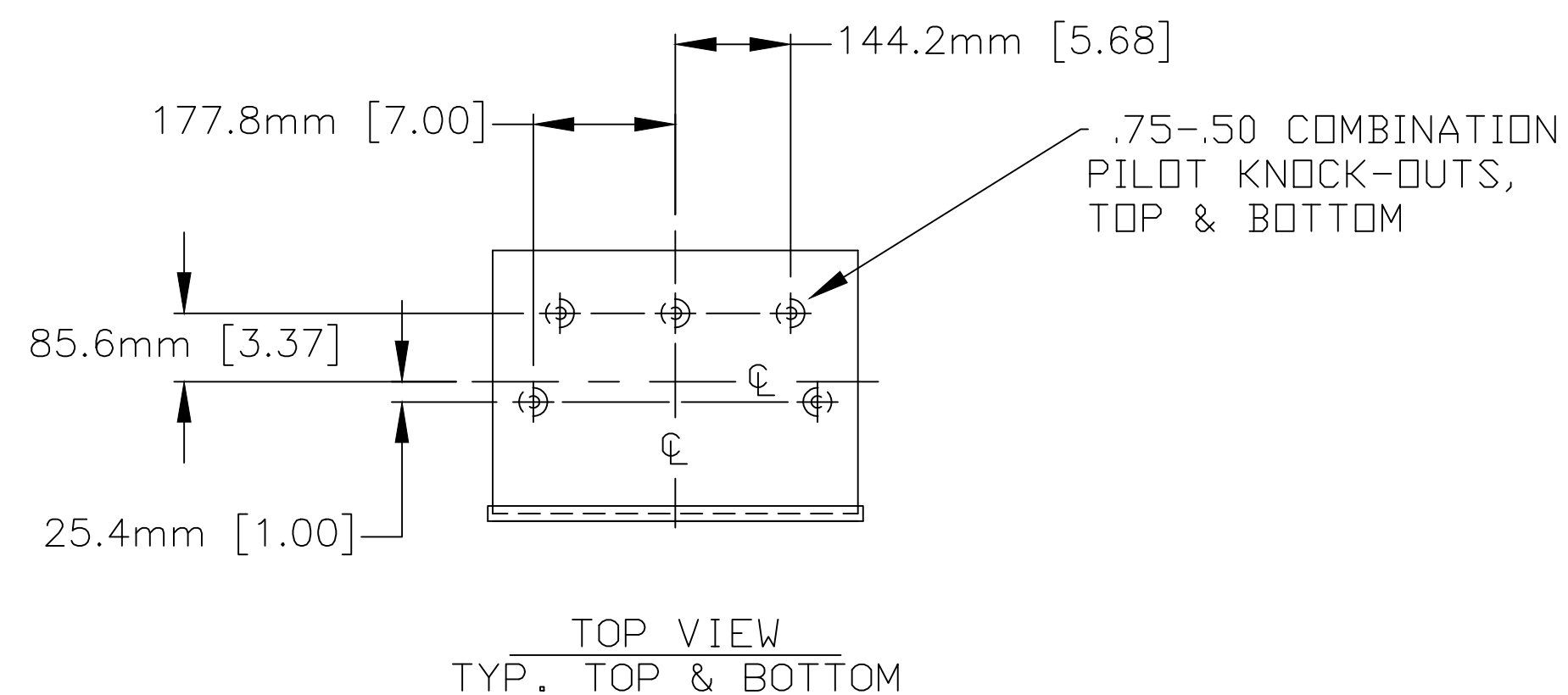
GENERAL NOTES

1. TYPE 1 WALL MOUNTED ENCLOSURE.
2. STANDARD FINISH – LIGHT GRAY, ANSI 61. OTHER FINISHES AVAILABLE CONSULT FACTORY.
3. KEY LOCKABLE HANDLE.
4. REMOVABLE SINGLE DOOR
5. TERMINALS – SCREW TYPE LUGS FOR EXTERNAL POWER CONNECTIONS.
6.  = CENTER OF GRAVITY.
7. THREE POLE SWITCH WITH SOLID NEUTRAL SHOWN FOR REFERENCE.
8. NEUTRAL CONFIGURATIONS:

AN OPTIONAL FULL RATED NEUTRAL CONFIGURATION FOR EACH SOURCE AND THE LOAD MAY BE PROVIDED. WHEN EQUIPPED IT IS IN ONE OF THE FOLLOWING FORMATS AS SPECIFIED BY THE CATALOG NUMBER NO. NEUTRAL TYPE:

- (A) SOLID (COPPER BUS) NEUTRAL
- (B) SWITCHED NEUTRAL POLE
- (C) OVERLAPPING NEUTRAL POLE (SEE NOTICE)

**NOTICE:**  
When an overlapping switched neutral assembly is provided, the normal and emergency source neutral terminations are physically reversed from those of the normal and emergency source phase terminations. Locate the neutral termination markings and review the wiring diagram before connecting the neutral conductors



POWER CONNECTIONS		
RANGE OF AL-Cu CONDUCTOR SIZES ISO CROSS SECTION (mm <sup>2</sup> ) (USE STRANDED TYPE CONDUCTORS)		
SWITCH RATING (AMPS)	CONDUCTOR SIZE RANGE	RECOMMENDED TIGHTENING TORQUE
30-200*	ONE 2-5	11,3 Nm
	OR	
200*-COPPER WIRE ONLY	ONE 6-120	22,6 Nm

TRANSFER SWITCHING EQUIPMENT (IEC/CE) RATED UP TO 480 VAC MAX.

PROJECT NAME:		REV. TO SHEET	ISSUE	ECN NO.	BY	APP.	DATE
COMPOSITE OUTLINE		258699		VOM	EL	12/30/15	
300 SERIES, D2ATS/D2NTS RATED 30-200 AMPERES							
30-200 AMPS TYPE 1 IEC/CE							
DRAWN BY	VOM	DATE	12/30/15	MANUFACTURING TOLERANCES TO BE IN ACCORDANCE WITH ASCO PROCEDURE MP-1-003. FOR PLASTIC PARTS SEE MP-1-005		ASSEM. REF. NO.	COMPUTER GENERATED DRAWING
CHECKED	EL	DATE	12/30/15	PROPERTY OF ASCO POWER TECHNOLOGIES. USE PERMITTED FOR OUR WORK ONLY. ALL RIGHTS OF DESIGN OR INVENTION ARE RESERVED.			
PROJECT APPROVAL	BK	DATE	12/30/15	SCALE	NONE	SIZE	DS
FINAL APPROVAL				DWG. NO.	978723-A		
				DRAWING REV.	ECN NO.	258699	SHEET 1 OF 1

**ASCO** ASCO POWER TECHNOLOGIES, L.P.  
FLORHAM PARK, NEW JERSEY 07932 U.S.A.