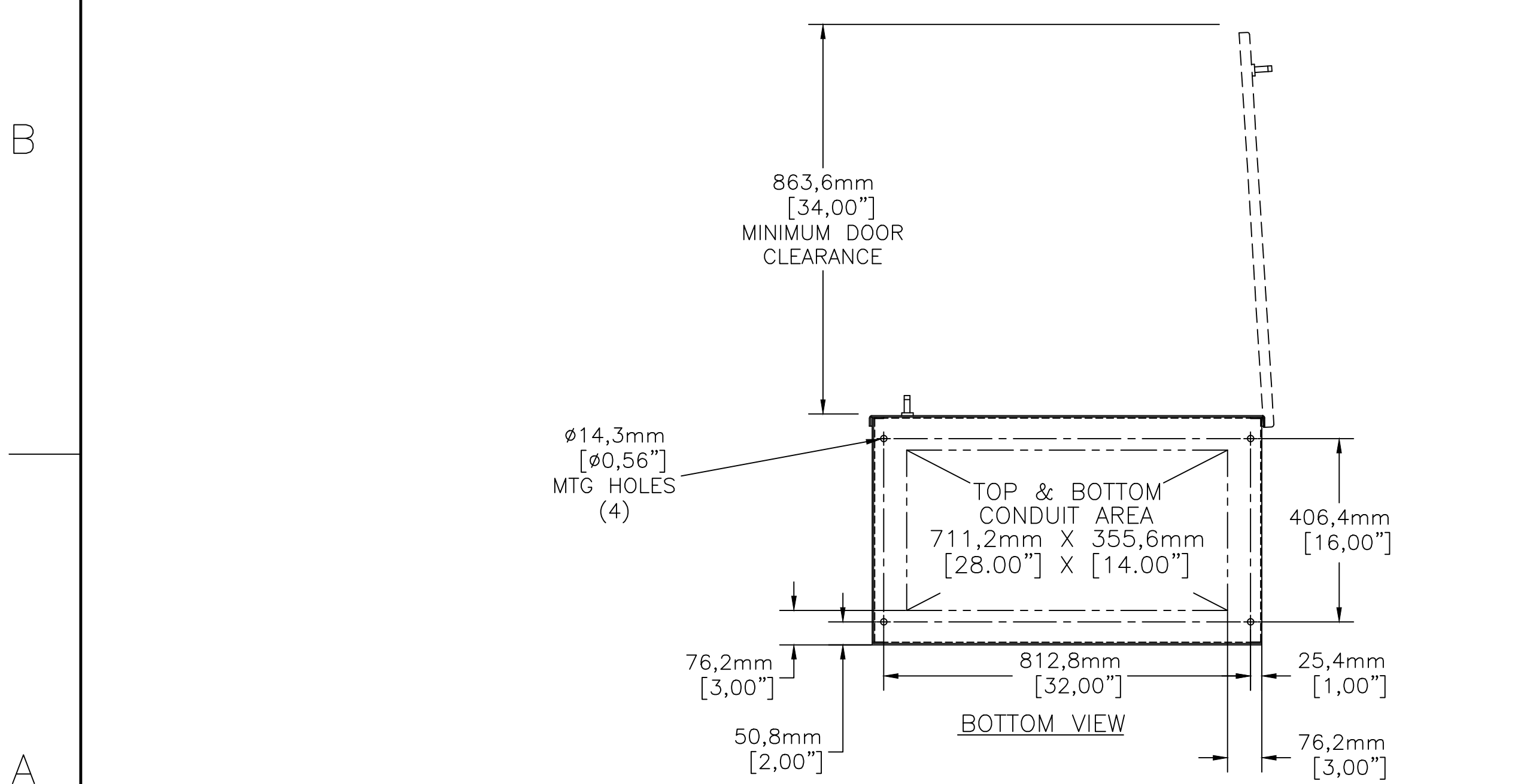
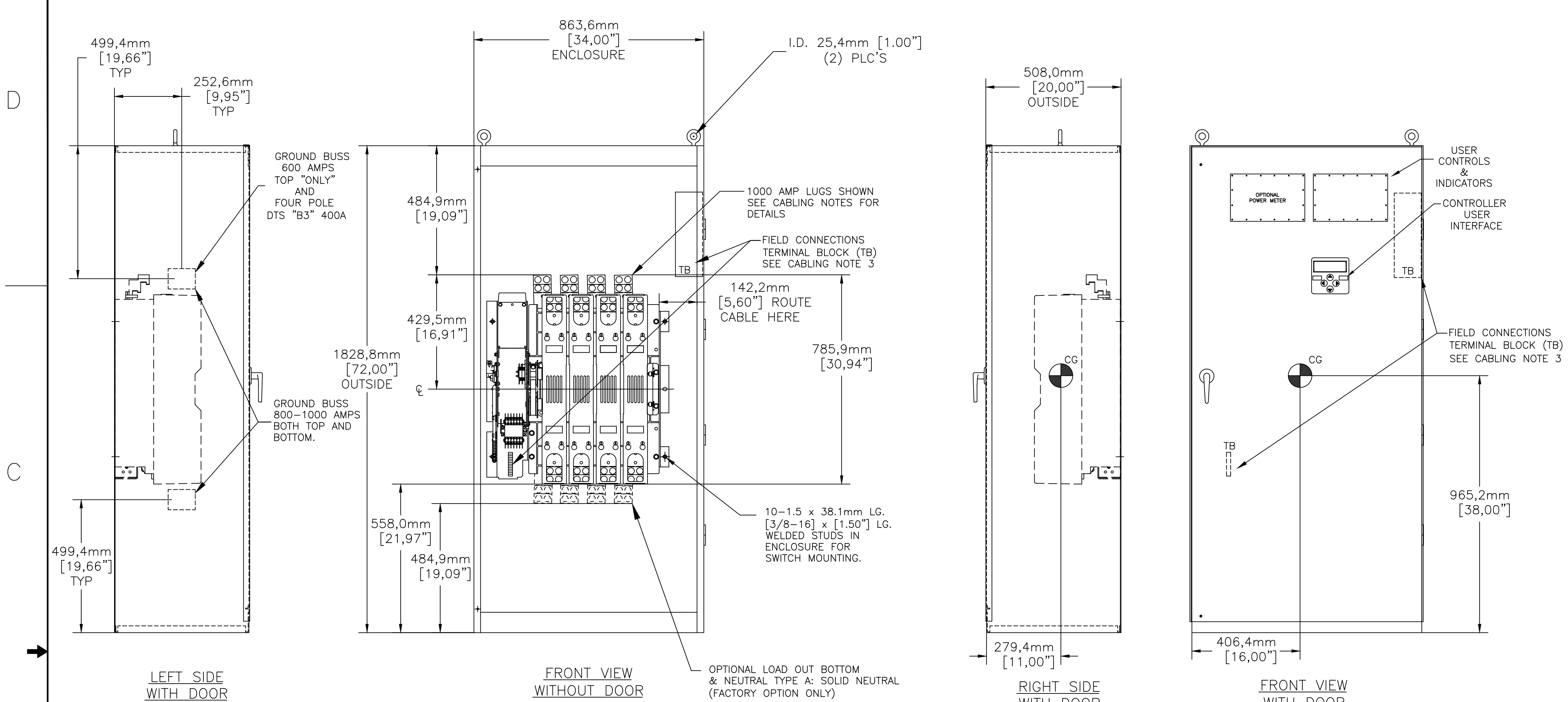


OUTLINE FOR ASCO® 200 SERIES 600-1000 AMPERE "H" FRAME (H2ATS,H2NTS,H2ADTS,H2NDTS) FRONT CONNECTED TRANSFER SWITCHING EQUIPMENT TYPE 1 ENCLOSURE



- ### GENERAL NOTES
- TYPE 1 ENCLOSURE. FREE STANDING. FLOOR MOUNTED. CODE GAUGE FORMED FRAME CONSTRUCTION.
 - NEC STANDARD GAUGE PAN TYPE DOOR WITH LOCKABLE HANDLE.
 - FINISH: ANSI 61 GRAY, POLYESTER POWDER STANDARD. OTHER ANSI COLORS AVAILABLE CONSULT FACTORY UL RECOGNIZED.
 - RECOMMENDED CLEARANCES: FRONT: 863,6mm [34,00 inch]
 - A 20% RATED GROUND BUS IS PROVIDED.
 - UNIT IS DESIGNED FOR COMBINATION TOP AND BOTTOM CABLE ENTRY. THE STANDARD SWITCH CONFIGURATION IS FOR TOP LUGS EMERGENCY AND LOAD AND BOTTOM LUGS NORMAL. OPTIONALLY, THE SWITCH MAY BE SUPPLIED WITH REVERSE NORMAL & EMERGENCY LUGS. (REFER TO THE WIRING DIAGRAM FURNISHED WITH EACH TRANSFER SWITCHING DEVICE TO DETERMINE TERMINATION POSITIONS).
 - NEUTRAL CONFIGURATIONS:
 AN OPTIONAL FULL RATED NEUTRAL CONFIGURATION FOR EACH SOURCE AND THE LOAD MAY BE PROVIDED. WHEN EQUIPPED IT IS IN ONE OF THE FOLLOWING FORMATS AS SPECIFIED BY THE CATALOG NUMBER NEUTRAL TYPE:
 (A) SOLID (COPPER BUS) NEUTRAL
 (B) SWITCHED NEUTRAL POLE
 (C) OVERLAPPING NEUTRAL POLE
 - CG CENTER OF GRAVITY
 - NO KNOCKOUTS ARE PROVIDED.

- ### CABLING NOTES
- ALL SIZES SUPPLIED STANDARD WITH MECHANICAL (SCREW TYPE) LUGS. (SEE AMP SIZE BELOW)
 A. LUG MATERIAL: ALUMINUM ALLOY 6061-T6 WITH ELECTRO TIN PLATED FINISH.
 B. SCREW MATERIAL: ALUMINUM ALLOY 6262-T9 WITH ELECTRO TIN PLATED FINISH.
 C. UL LISTED, CSA CERTIFIED.
 D. LUG SCREW TIGHTENING TORQUE PER UL 486B: 25,7 Nm [19 FT-LBS].
 E. SUITABLE WIRE BENDING SPACE IS PROVIDED. (SEE AMP SIZE BELOW)
 - GROUND LUGS ARE PROVIDED STANDARD AS FOLLOWS. (SEE AMP SIZE BELOW).
 - CUSTOMER TERMINAL BLOCKS:
 FOR ALL 200 SERIES 2NDTS, 2ADTS UNITS THE TB WILL BE MOUNTED ON THE UPPER RIGHT INSIDE OF ENCLOSURE.
 FOR ALL 2ATS AND 2NTS UNITS TB WILL BE MOUNTED ON THE TRANSFER SWITCH FRAME AS INDICATED.

- ### NOTES 600 AMP SWITCHES
- SUPPLIED WITH STANDARD MECHANICAL (SCREW TYPE) LUGS ON THE NORMAL, EMERGENCY & LOAD BUS STABS. ONE (1) LUG PER PHASE AND NEUTRAL EACH SUITABLE FOR CONNECTION OF TWO (2) 35-300mm² [#2 - 600MCM] CU/AL CABLE.
 A. SUITABLE WIRE BENDING SPACE IS PROVIDED FOR UP TO TWO (2) 300mm² [600MCM] CABLES PER TERMINAL PER NEG.
 - GROUND LUGS ARE PROVIDED STANDARD AS FOLLOWS;
 (6) 50-380mm² [1/0 - 750MCM] CU/AL CABLE CONNECTIONS.

- ### NOTES 800-1000 AMP SWITCHES
- SUPPLIED WITH STANDARD MECHANICAL (SCREW TYPE) LUGS ON THE NORMAL, EMERGENCY & LOAD BUS STABS. ONE (1) LUG PER PHASE AND NEUTRAL EACH SUITABLE FOR CONNECTION OF FOUR (4) 50-380mm² [1/0 - 750MCM] CU/AL CABLE.
 A. SUITABLE WIRE BENDING SPACE IS PROVIDED FOR UP TO FOUR (4) 300mm² [600MCM] CABLES PER TERMINAL PER NEG.
 - GROUND LUGS ARE PROVIDED STANDARD AS FOLLOWS;
 (12) 50-380mm² [1/0 - 750MCM] CU/AL CABLE CONNECTIONS.

- ### NOTES 400A (ADTS "B3" 4 POLE ONLY)
- GROUND LUGS ARE PROVIDED STANDARD AS FOLLOWS;
 (3) 13-125mm² [#6 - 250MCM] CU/AL CABLE CONNECTIONS.

APPROXIMATE SHIPPING WEIGHT, KG (LBS)

ATSE/NTSE RATING (AMPS)	POLES	WEIGHTS LB (KG)
600,800	2	190 (419)
600,800	3	201 (442)
1000	2	196 (431)
1000	3	209 (460)
1000	4	222 (489)

POWER CONNECTIONS

RANGE OF Al-Cu CONDUCTOR SIZES ISO CROSS SECTION (mm²) (USE STRANDED TYPE CONDUCTORS)

SWITCH RATING (AMPS)	CONDUCTOR SIZE RANGE	RECOMMENDED TIGHTENING TORQUE
600	TWO 35-300	42,4 Nm
800-1000	FOUR 50-300	42,4 Nm

TRANSFER SWITCHING EQUIPMENT (IEC/CE) RATED UP TO 480 VAC MAX.

REV. TO SHEET	284015	EL	EL	30/03/20
NEW ISSUE				
PROJECT NAME:	OUTLINE & MOUNTING			
200 SERIES, 1829mm x 864mm x 508mm [72"x34"x20"]				
"H" FRAME 600-1000 AMP. TYPE 1				
BY	DATE	MANUFACTURING TOLERANCES TO BE IN ACCORDANCE WITH ASCO PROCEDURE MP-1-003. FOR PLASTIC PARTS SEE MP-1-005	ASSEM. REF. NO.	COMPUTER GENERATED DRAWING
DRAWN BY	EL	30/03/20		SCALE NONE SIZE DS
CHECKED	EL	30/03/20		DWG. NO.
PROJECT APPROVAL	BK	30/03/20		1001394-A
FINAL APPROVAL				DRAWING - ECU NO. 284015 SHEET 1 OF 1

ASCOTM ASCO POWER TECHNOLOGIES, L.P. FLOHAM PARK, NEW JERSEY 07932 U.S.A.