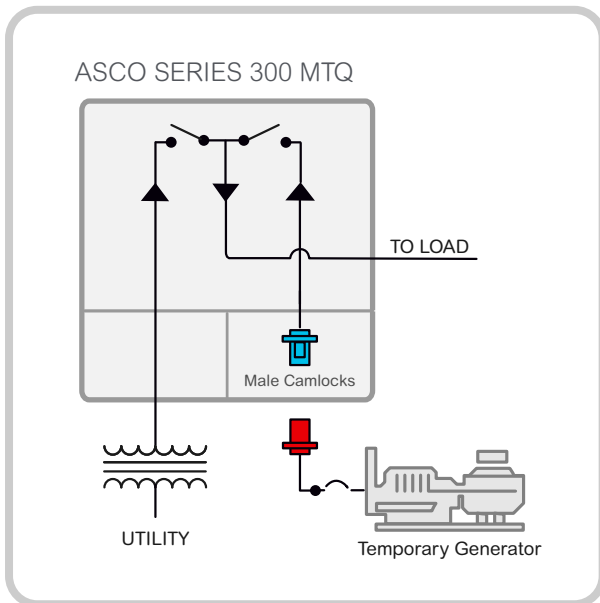


THE WAIT IS OVER!

Manual Transfer Switches with Quick Connections (MTQ) are now available up to 3000 amps.

Our expanding MTQ line now includes a 1600A, 2000A, 2500A, and a 3000A option. The cost effective, integrated design minimizes on-site installation labor, reduces overall footprint, and provides a fast method to connect a temporary generator in amperage ranges from 150-3000.

Adding to the versatility, the 1600A and 2000A MTQ's are available in front or rear-connected versions.



Have a question?

Contact your ASCO Sales Engineer