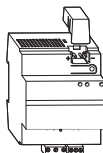
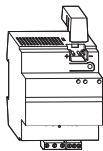
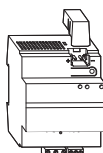


KNX power supply unit REG-K

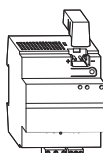
Operating instructions



KNX power supply REG-K/160 mA
Art. no. MTN684016



KNX power supply REG-K/320 mA
Art. no. MTN684032



KNX power supply REG-K/640 mA
Art. no. MTN684064

For your safety**DANGER****Risk of fatal injury from electrical current.**

The unit may only be installed and connected by skilled electricians. Observe the regulations valid in the country of use, as well as the valid KNX guidelines.

**CAUTION****Risk of fatal injury from electrical current. The device may become damaged.**

The safety clearance must be guaranteed as per IEC 60664-1. A distance of at least 4 mm must be maintained between individual cores of the 230 V cable and the KNX line.

**CAUTION**

All devices that are mounted next to the power supply unit must at least be equipped with basic insulation.

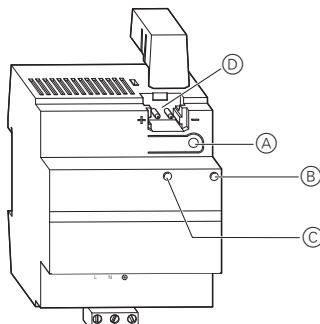
Getting to know the power supply unit

The KNX power supply REG-K (referred to below as the **power supply**) is connected to a bus system and makes the energy available for the bus devices on a line. At least one power supply is required per bus line. The power supply unit has an integrated choke which isolates the data telegrams from the power supply.

The power supply unit provides a stabilised safety extra-low voltage (SELV) of DC 30 V. It is short-circuit resistant, and features a voltage and current limiter. Excessively high output currents are indicated by a red display (overcurrent).

The max. cable length between the power supply and the furthest bus device is 350 m. The bus devices on the connected line can be reset using a key on the power supply. The state (RESET) is indicated by the red display (RESET) on the device. The green display (RUN) indicates that the power supply is ready for operation.

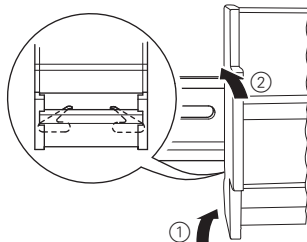
The power supply has an integrated choke. It is to be installed in the DIN rail as per DIN EN 60715. A data rail is not required.

Connections, displays and operating elements

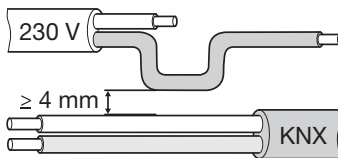
- (A) Bus connecting terminal
- (B) Green LED: Operating LED (RUN)
- (C) Red LED: Overcurrent ($I > I_{max}$)
- (D) Bus connection (with cover)

How to install the power supply unit

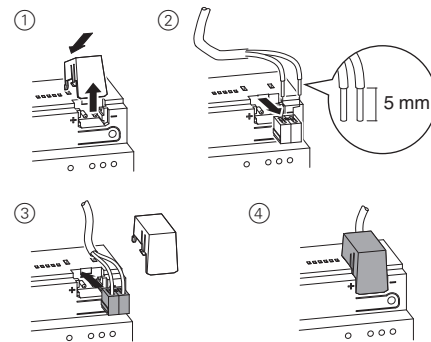
- ① Insert the power supply into the DIN rail with the clamping spring facing down and suspend it in the rail.



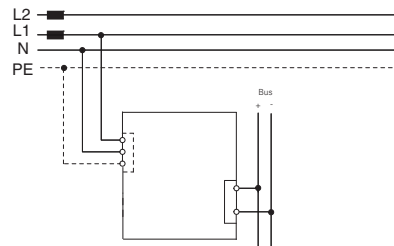
- ② Connect the KNX.

**CAUTION****Risk of fatal injury from electrical current. The device may become damaged.**

A safety clearance from the KNX line to 230 V cables must be guaranteed. Always place the cable cover over the KNX connecting terminal!



- ③ Connect the KNX and attach the cover of the bus connecting terminal.



- ④ Connect the mains voltage.

The green operating display lights up when the power supply unit is ready for operation.

How to operate the power supply**If the overcurrent display ($I > I_{max}$) lights up when the operating display (RUN) is also on.**

The output current is too high. Remove devices from the line until the total power consumption of the remaining devices is less than the power supply unit's nominal current.

**CAUTION**

No other power supply should be connected up to the power supply unit REG-K/640mA within one KNX line!

If the overcurrent display ($I > I_{max}$) lights up when the operating display (RUN) is not on.

Short circuit in the bus line. Switch off mains voltage for at least 30 seconds. Remedy the cause of the short circuit. Then switch the power supply back on and press the reset key once.



When the power supply unit is reset (Reset LED is lit up) the bus line is released for about 20 seconds. All other devices that are connected to the same line are then also reset. If a longer reset is required, the bus terminal must be removed from the power supply unit.

Meaning of the LEDs

Operating display (RUN, green)	Overcurrent display ($I > I_{max}$, red)	
on	off	Power supply unit ready for operation
on	on	Power supply unit ready for operation, output current too high.
off	on	Short circuit in the bus line
off	off	No mains voltage

Technical data

Mains input:	
Nominal voltage	AC 110 - 230 V 50 - 60 Hz
Power consumption:	< 50 W
Output	
Nominal voltage:	DC 30 V (SELV)
Nominal current:	
Art.-No. MTN684016	max. 160 mA
Art.-No. MTN684032	max. 320 mA
Art.-No. MTN684064	max. 640 mA
Short circuit current::	< 1,5 A
Overload threshold:	
Art.-No. MTN684016	0.3 A
Art.-No. MTN684032	0.5 A
Art.-No. MTN684064	0.9 A
Buffer time:	ca. 200 ms (with 640 mA)
Ambient temperature	
Operation:	-5 °C to +45 °C
Storage:	-25 °C to +55 °C
Transport:	-25 °C to +70 °C
Environment:	The device is designed for use at elevations of up to 2000 m above sea level (MSL)
Max. moisture:	93 %, no moisture condensation
Connections	
Inputs, outputs:	Screw terminals: single-core: 1,5 - 2,5 mm ² finely stranded (with core end sleeve): 1.5 - 2.5 mm ²
KNX:	bus connecting terminal (red/black)
Dimensions	90 x 72 x 65 mm (HxBxT)
Installation width:	4 modular spaces
EC guidelines:	89/336/EWG

Schneider Electric Industries SAS

If you have technical questions, please contact the Customer Care Center in your country.

www.schneider-electric.com

This product must be installed, connected and used in compliance with prevailing standards and/or installation regulations. As standards, specifications and designs develop from time to time, always ask for confirmation of the information given in this publication.