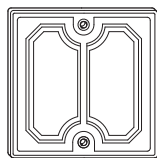


Two-circuit control electronics components

Two-circuit control electronics

Operating instructions



Art. no. MTN569091

For your safety



DANGER

Risk of fatal injury from electrical current.

All work on the device should only be carried out by trained and skilled electricians. The country-specific regulations must be followed.

Two-circuit control electronics

You can use the two-circuit control electronics to switch one or two outputs. The electronics are operated using two contact surfaces.



In some cases, undesired switching of the control electronics can occur, e.g. due to dramatic fluctuations in temperature or high humidity. Do not use the control electronics if undesired switching processes must be prevented (e.g. electronic door opening mechanism, staircase light).



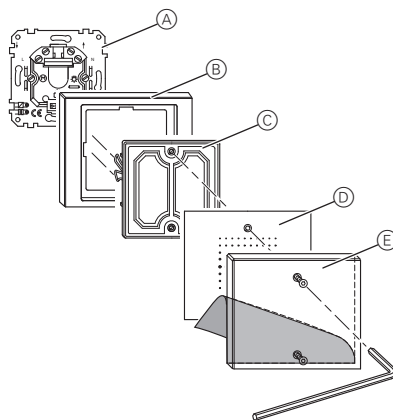
Press the middle of the respective sensor cover to execute functions reliably.



CAUTION

Destruction of blind/roller shutter drive control.

You may not use the two-circuit control electronics when connecting a blind/roller shutter drive, as this may destroy the drive motor. In this case, you should use roller shutter control electronics Art. no. MTN569092.



- Ⓐ Roller shutter/two-circuit insert (Art. no. MTN576499)
- Ⓑ Frame (Art. no. MTN482x60)
- Ⓒ Roller shutter/two-circuit insert (Art. no. MTN569091)
- Ⓓ Cover foil (included with the glass sensor cover)
- Ⓔ Glass sensor cover (Art. no. MTN569x..) (transparent or satinated)

The two-circuit control electronics cannot function without these components.

Two-circuit control electronics installation

For information on installation and operation, please refer to the instructions for the roller shutter/two-circuit insert.

Schneider Electric Industries SAS

If you have technical questions, please contact the Customer Care Center in your country.

www.schneider-electric.com

This product must be installed, connected and used in compliance with prevailing standards and/or installation regulations. As standards, specifications and designs develop from time to time, always ask for confirmation of the information given in this publication.