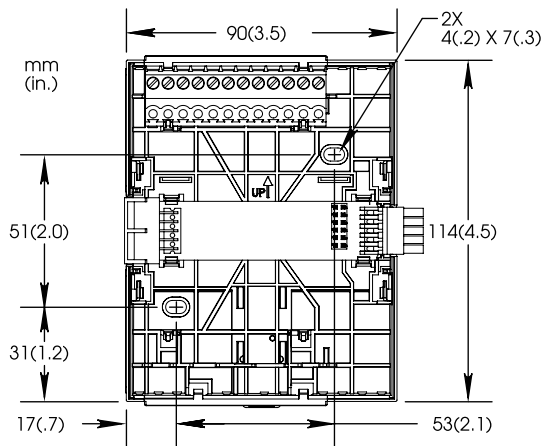


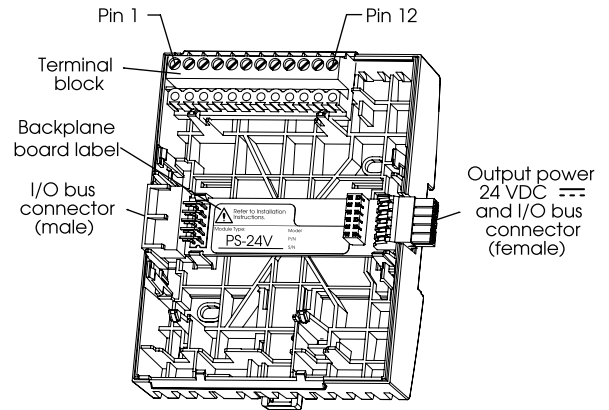
# Automation Server Family

## Terminal Base TB-PS-W1

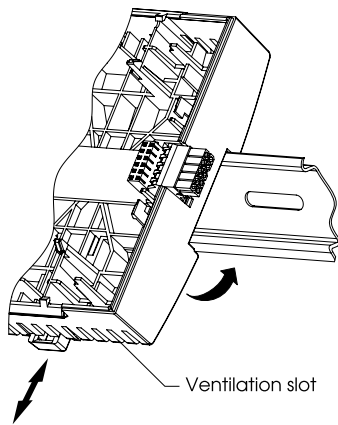
### Dimensions



### Overview

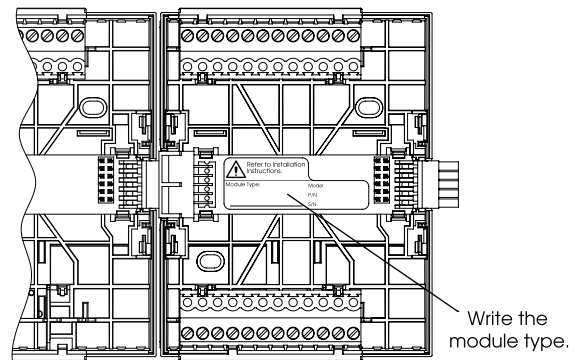


### Installing the Terminal Base



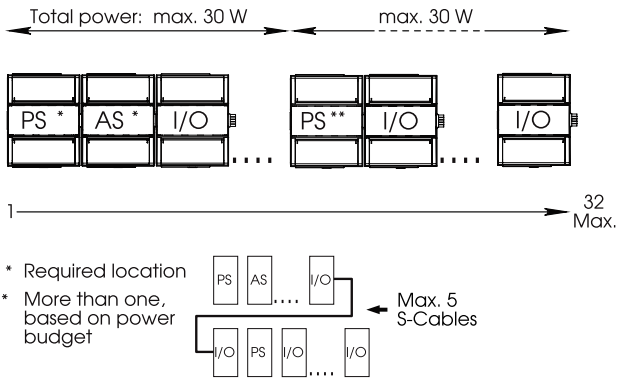
Caution: For proper cooling air flow through the device, install the terminal base with its ventilation slots pointing up and down.

### Connecting the Next Terminal Base

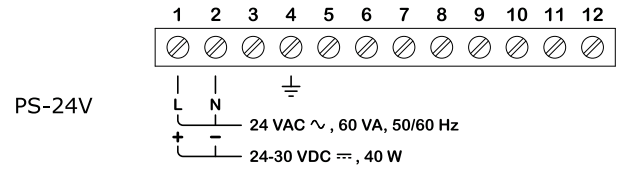


Warning: Ensure that the module type and the terminal base type match. A mismatch can cause electric shock and damage the module.

# I/O Bus Addressing, Power Limits, and Cables



# Connections



## Devices that Use this Terminal Base

Device	Part number
PS-24V Power Supply 24 VAC/VDC	SXWPS24VX10001

## S-Cables

Device	Part number
S-Cable, 1.5 m, angle	SXWSCABLE10002
S-Cable, 0.75 m, angle	SXWSCABLE10003

## Specifications

### PS-24V

#### AC input

**Nominal voltage**  
24 VAC ~ 50/60 Hz

**Recommended transformer rating**  
≥60 VA

#### DC input

**Nominal voltage**  
24 VDC ==

**Power consumption**  
max. 40 W

### DC output

#### Output voltage

24 V ±1 V

#### Output power

max. 30 W

### Operation environment

#### Ambient temperature, operating

0 to 50 °C (32 to 122 °F)

#### Humidity

Maximum 95 % RH non-condensing

### Mechanical

#### Enclosure rating

IP 20

#### Plastic rating

UL94-5VB

### Electrical

#### I/O bus power

24 VDC == max. 30 W per I/O bus power supply, Class 2

#### Maximum addresses per I/O bus

32

## Regulatory Notices

**FC** Federal Communications Commission

FCC Rules and Regulations CFR 47, Part 15, Class B

This device complies with part 15 of the FCC Rules. Operation is subject to the following two conditions: (1) This device may not cause harmful interference. (2) This device must accept any interference received, including interference that may cause undesired operation.

#### Industry Canada

ICES-003

This is a Class B digital device that meets all requirements of the Canadian Interference Causing Equipment Regulations.



N1831 C-Tick (Australian Communications Authority (ACA))

AS/NZS 3548

This equipment carries the C-Tick label and complies with EMC and radio communications regulations of the Australian Communications Authority (ACA), governing the Australian and New Zealand (AS/NZS) communities.

**CE** CE - Compliance to European Union (EU)

2004/108/EC Electromagnetic Compatibility Directive

This equipment complies with the rules, of the Official Journal of the European Union, for governing the Self Declaration of the CE Marking for the European Union as specified in the above directive(s) per the provisions of the following standards: IEC/EN 61326-1 Product Standard, IEC/EN 61010-1 Safety Standard.



WEEE - Directive of the European Union (EU)

This equipment and its packaging carry the waste of electrical and electronic equipment (WEEE) label, in compliance with European Union (EU) Directive 2002/96/EC, governing the disposal and recycling of electrical and electronic equipment in the European community.



UL 916 Listed products for the United States and Canada, Open Class Energy Management Equipment.