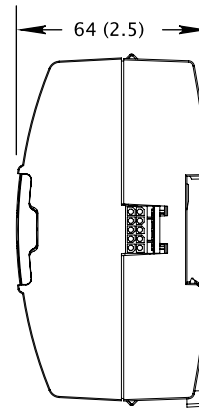
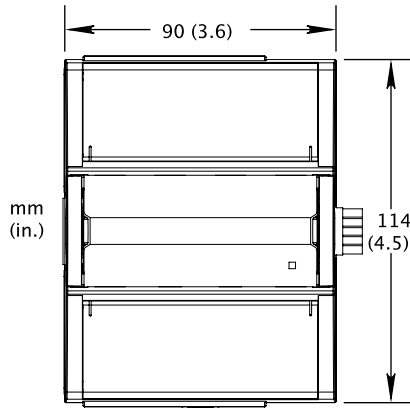
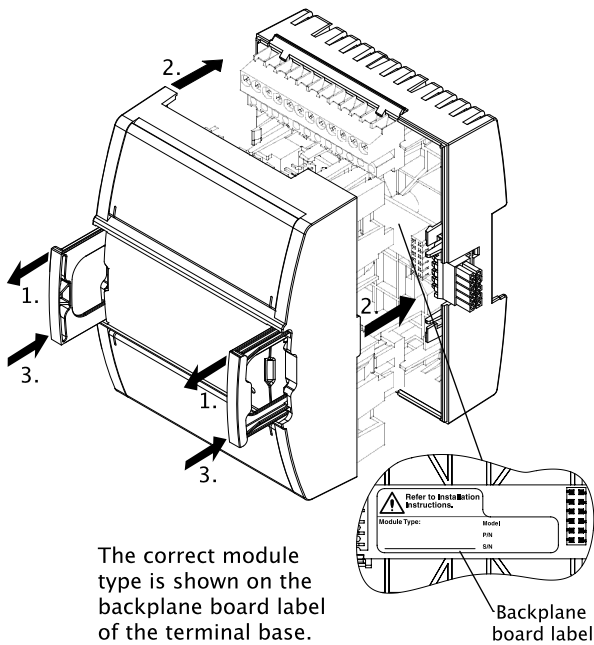


W1-Sized I/O Modules

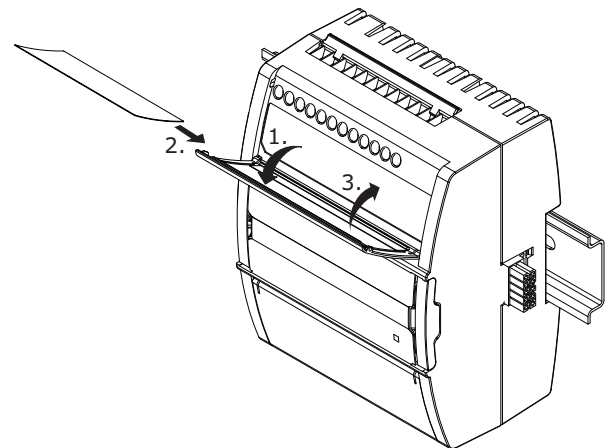
Dimensions



Installing the Module



Labeling the Module



Warning: Ensure that the module type and the terminal base type match. A mismatch can cause electric shock and damage the module.

Smoke Control Application Note

All Universal Inputs (UI), Digital Inputs (DI), and Analog Outputs (AO) are power-limited per UL 864 requirements. All Digital Output (DO) relays are non-power-limited. For more information on the use of the I/O modules for a UL 864 smoke control application, see the latest version of the Smoke Control Design Guide (04-16014-XX-en).

Specifications

Operation environment

Ambient temperature, operating

0 to 50 °C (32 to 122 °F)

Humidity

Maximum 95 % RH non-condensing

Mechanical

Enclosure rating

IP 20

Plastic rating

UL94-5VB

Electrical

I/O bus power

24 VDC $\overline{\text{---}}$ max. 30 W per I/O bus power supply, Class 2

Maximum addresses per I/O bus

32

Regulatory compliance

EMC, safety, and environment

FCC CFR 47 Part 15 Class B, ICES-003 Class B, RCM, CE - EMCD 2014/30/EU, CE - LVD 2014/35/EU, WEEE 2012/19/EU, RoHS 2011/65/EU, China RoHS SJ/T 11364-2014, UL 916 Listed products for the United States and Canada, Open Class Energy Management Equipment (UL file E80146.), UL 864 Listed products for the United States. 10th Edition Smoke Control System. (UL file S5527.)

AO-8 (-H) Module

DC input power

24 VDC $\overline{\text{---}}$, 4.9 W

Output rating

0 to 10 VDC $\overline{\text{---}}$, 0 to 20 mA

Channels

8 output

AO-V-8 (-H) Module

DC input power

24 VDC $\overline{\text{---}}$, 0.7 W

Output rating

0 to 10 VDC $\overline{\text{---}}$

Channels

8 output

DI-16 Module

DC input power

24 VDC $\overline{\text{---}}$, 1.6 W

Input rating

24 V, 2.4 mA

Channels

16 input

UI-16 Module

DC input power

24 VDC $\overline{\text{---}}$, 1.8 W

Input rating

24 V, 2.4 mA

Channels

16 input

RTD-DI-16 Module

DC input power

24 VDC $\overline{\text{---}}$, 1.6 W

Input rating

24 V, 2.4 mA

Channels

16 input

UI-8/DO-FC-4 (-H) Module

DC input power

24 VDC $\overline{\text{---}}$, 1.9 W

Relay contact rating

250 VAC \sim / 30 VDC $\overline{\text{---}}$, 3 A Pilot Duty (Power Factor 0.35)

Input rating

24 V, 2.4 mA

Channels

4 output/8 input

UI-8/AO-4 (-H) Module

DC input power

24 VDC $\overline{\text{---}}$, 3.2 W

Output rating

0 to 10 VDC $\overline{\text{---}}$, 0 to 20 mA

Input rating

24 V, 2.4 mA

Channels

4 output/8 input

UI-8/AO-V-4 (-H) Module

DC input power

24 VDC $\overline{\text{---}}$, 1.0 W

Output rating

0 to 10 VDC $\overline{\text{---}}$

Input rating

24 V, 2.4 mA

Channels

4 output/8 input

DO-FA-12(-H) Module

DC input power

24 VDC $\overline{\text{---}}$, 1.8 W

Relay contact rating

250 VAC \sim / 30 VDC $\overline{\text{---}}$, 2 A Pilot Duty (Power Factor 0.35)

Channels

12 output

DO-FC-8 (-H) Module

DC input power

24 VDC $\overline{\text{---}}$, 2.2 W

Relay contact rating

250 VAC \sim / 30 VDC $\overline{\text{---}}$, 3 A Pilot Duty (Power Factor 0.35)

Channels

8 output

Terminal Base for All I/O Modules

Device	Part number
TB-IO-W1 Terminal Base	SXWTBIOW110001

部件名称 (Part Name)	有害物质 (Hazardous Substances)					
	铅 (Pb)	汞 (Hg)	镉 (Cd)	六价铬 (Cr (VI))	多溴联苯 (PBB)	多溴二苯醚 (PBDE)
塑料部件 (Plastic Parts)	O	O	O	O	O	O
电子件 (Electronics)	X	O	O	O	O	O

本表格依据 SJ/T11364 的规定编制。(This table is made according to SJ/T 11364.)
 O: 表示该有害物质在该部件所有均质材料中的含量均在 GB/T 26572 规定的限量要求以下。
 (Indicates that the concentration of hazardous substance in all of the homogeneous materials for this part is below the limit as stipulated in GB/T 26572.)
 X: 表示该有害物质至少在该部件的某一均质材料中的含量超出 GB/T 26572 规定的限量要求。
 (Indicates that the concentration of hazardous substance in at least one of the homogeneous materials used for this part is above the limit as stipulated in GB/T 26572.)

