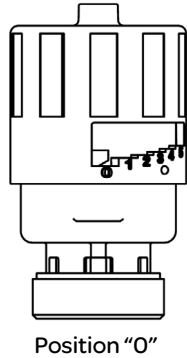
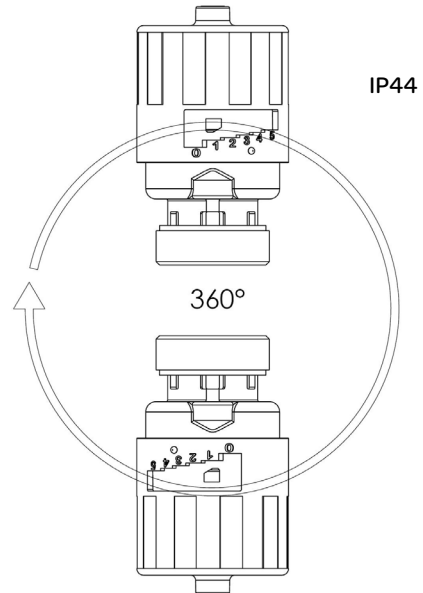


MP140NC-24T, MP140NC-230T

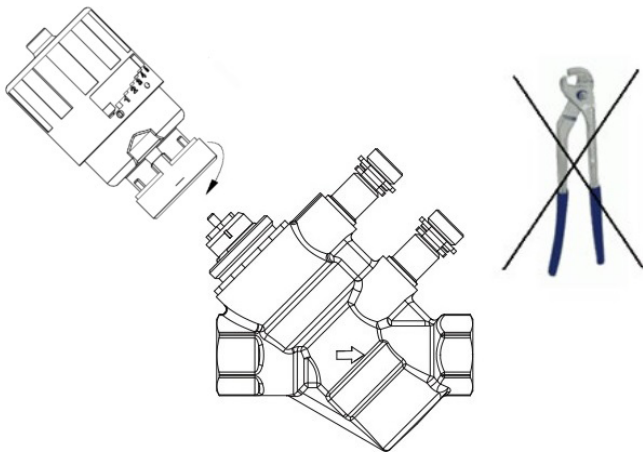
- 1 Make sure the actuator is in Position "0" (Factory Setting)



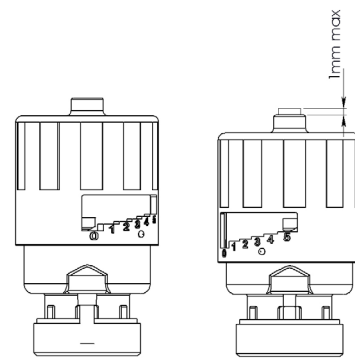
- 2 MP140NC can be mounted in any position.



- 3 Screw the ring nut onto the valve thread and tighten by hand, do not use tools.



- 4 Rotate the cover until the function indicator pin protrudes out the actuator cover (0.5 – 1 mm). For the VP223R valve, typically position "5"



- 5 Connect the cable according to the controller wiring diagrams.



Electrical Lead must not touch pipe work or other hot surfaces

