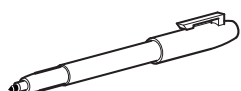
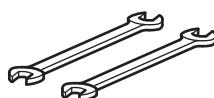


# ACRD100/ACRD101 Receiver Installation Instructions-ACAC75009

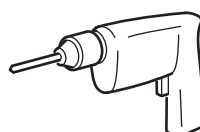
## Tools Required



Pen



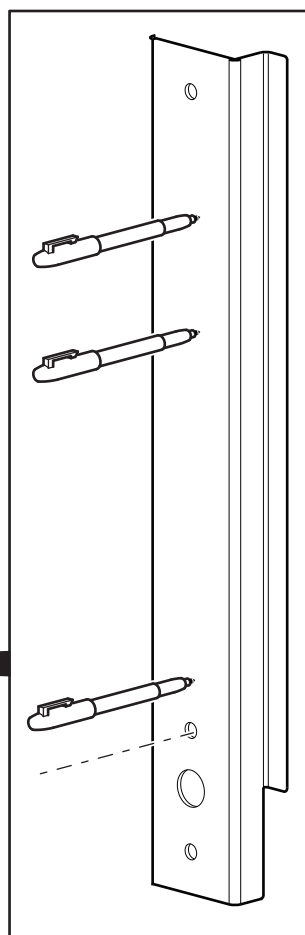
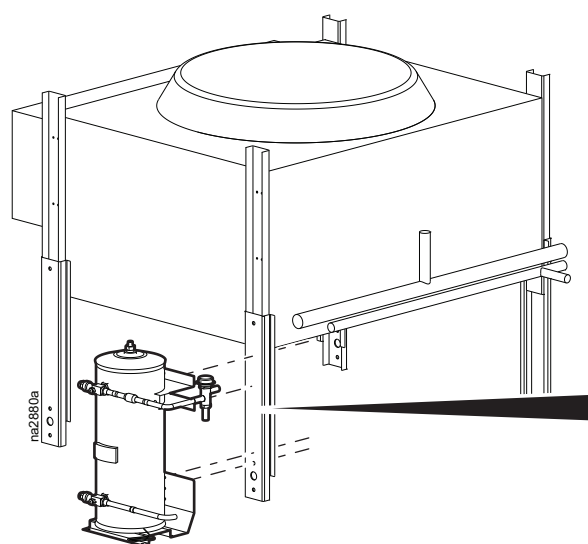
10 mm



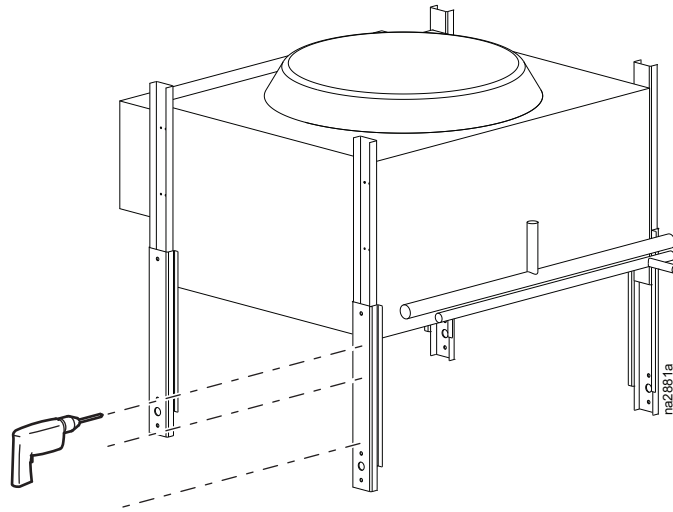
7 mm  $\varnothing$

## Installation

1

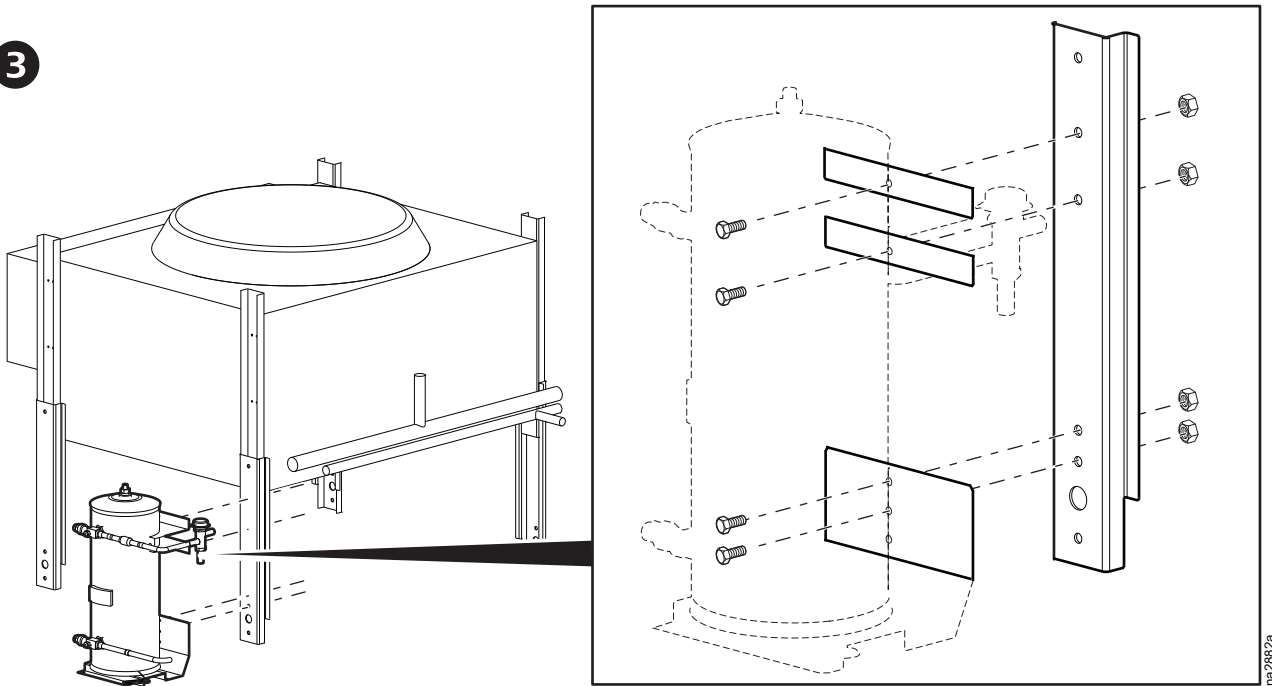


**2**



**NOTE:** You must fully extend the condenser legs before drilling holes in the legs.

**3**



	Condenser SKU	Bolt Size
(Shown)	ACCD75214 ACCD75215	M6 x 12-mm hex-head
(Not shown)	ACCD75216 ACCD75217 ACCD75218 ACCD75219	M6 x 50-mm hex-head

Customer support and warranty information is available at the Schneider Electric Web site, [www.schneider-electric.com](http://www.schneider-electric.com).

As standards, specifications, and designs change from time to time, please ask for confirmation of the information given in this publication.  
All trademarks owned by Schneider Electric Industries SAS or its affiliated companies.

990-3369A  
9/2014