



# InfraStruXure<sup>®</sup> Modular Distribution Label Kit

Guide for labeling the InfraStruXure PDU, UPS, XR Battery Enclosure, Power Distribution Module, Power Zones, Rack-PDUs, and equipment cabinets



The InfraStruXure labels clearly and quickly identify:

- Power Distribution Modules supplying power to each enclosure
- Enclosures numbered sequentially down a row
- The PDU, UPS, and XR Battery Enclosures for each zone
- Power source, if dual-fed, supplying each Rack PDU
- PDU, UPS, and XR Battery Enclosure supplying each side of a dual-fed system



## Labels included in the Kit

Label	Description	Quantity
3	<b>Rack:</b> Number label for each enclosure.	1-40: 2 sets 11 blank
Z1	<b>Zone:</b> Zone number for power equipment.	Z1-Z4: 8 8 blank
Z1.1	<b>Sub-zone:</b> Zone and sub-zone of equipment.	Z1.1-Z1.8: 6 Z2.1-Z2.8: 6 Z3.1-Z2.3: 6 Z4.1-Z4.8: 6
ROW A	<b>Row:</b> Letter label for each row, to be placed at the end of the row.	A-L: 3 sets 6 blank
A	<b>Power Source:</b> Power source for dual-fed power equipment (PDU, UPS, XR Battery Enclosure) and Rack PDUs.	A: 8 B: 8
1.1	<b>Power Distribution Module:</b> Power source for each breaker.	1-6: 2 sets
1.2		1-24: 2 sets
1.3		6 blank
L1	<b>Phase:</b> Phase applicable for single phase rackmount PDUs.	L1: 12 L2: 12 L3: 12
rPDU 1	<b>Rack-mount PDU:</b> Identify multiple rackmount PDUs in a rack.	A: 24 B: 24 rPDU1-rPDU2: 24 rPDU3-rPDU4: 12 rPDU5-rPDU8: 6 L1, L2, L3: 12



**Breaker module position:** Identifies the breaker module to which the cable is attached. 1-24: 3 sets



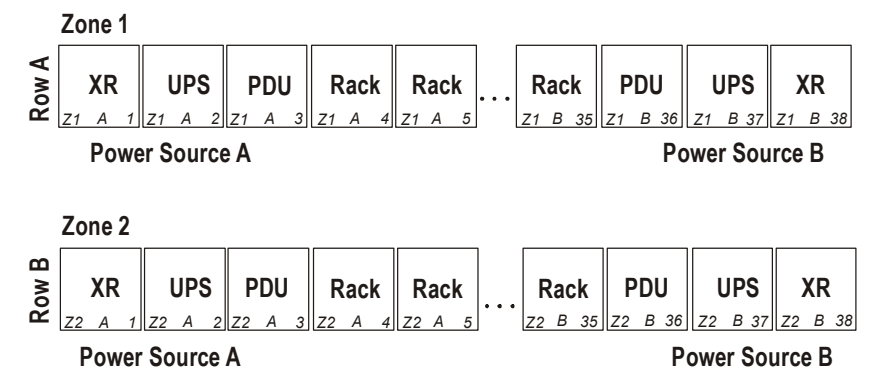
**Hot Aisle:** Identifies a hot aisle. 12

## How to Use the Labels

### Examples

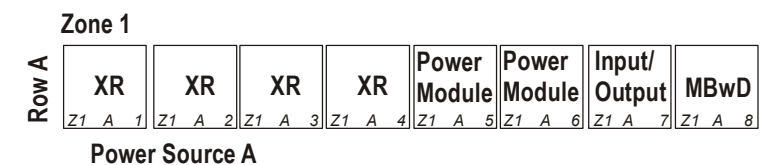
#### Example 1.

The diagram below shows two zones with dual-fed InfraStruXure systems.



#### Example 2.

The diagram below shows a Symmetra PX 500 kW with MBwD system.



### How to label rows



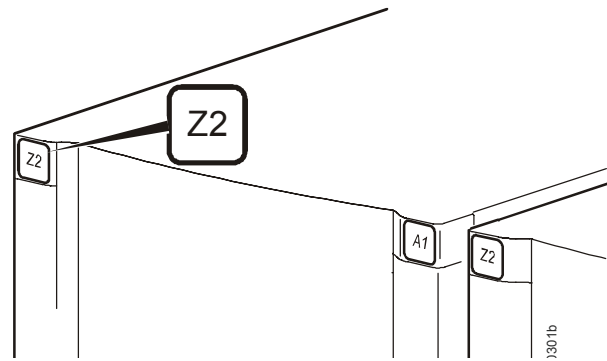
Label the end of each row.

## How to label zones



**Note:** A zone is all of the equipment supported by a single-ended or dual-ended UPS system.

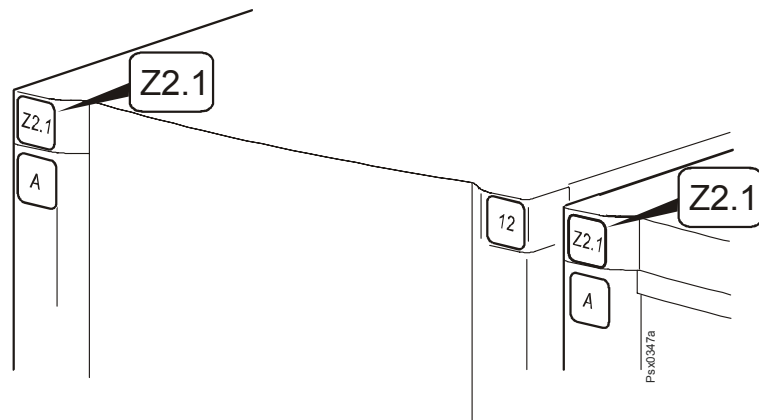
Label the UPS, XR Battery Enclosures, and any PDU.



## How to label sub-zones

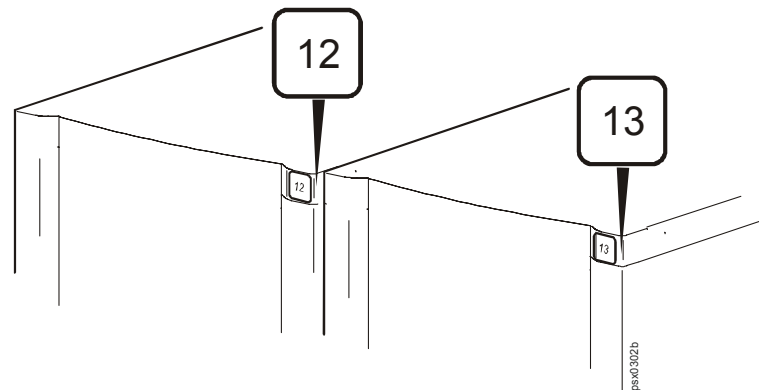


**Note:** A sub-zone is all of the equipment supported by a sub-feed from a UPS system.



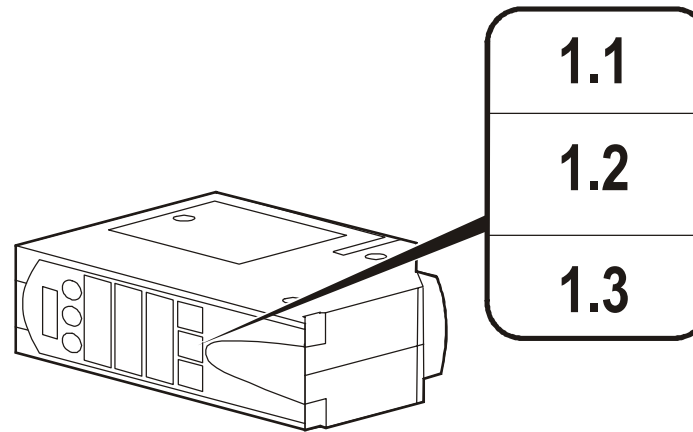
## How to label racks and enclosures

Label equipment racks or enclosures with the appropriate number.



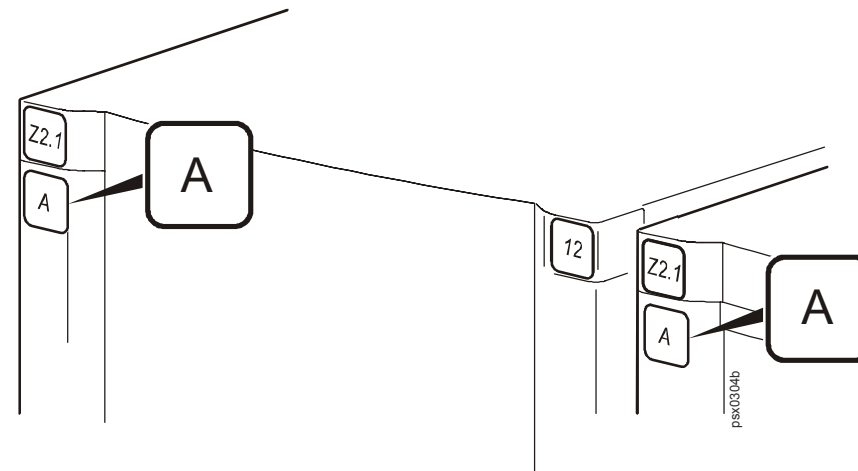
## How to label power distribution modules

Label each power distribution module to identify the power distribution module position.

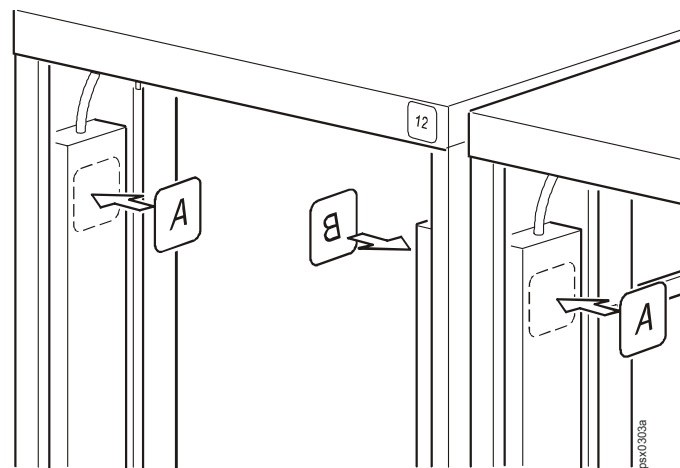


## How to label power sources—A or B feed

**PDU, UPS, and XR Battery Enclosures.** In a dual-fed system, label each PDU, UPS, and XR Battery Enclosure.

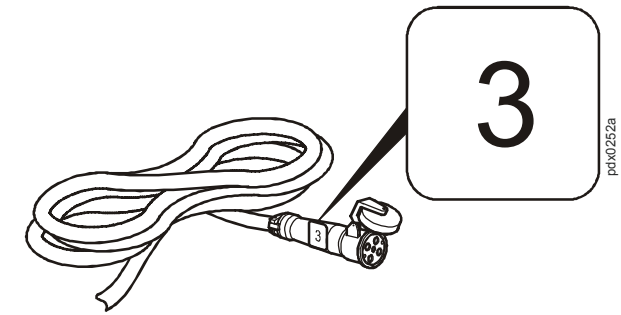


**Rack-mount PDUs.** In a dual-fed system, label each rack PDU.



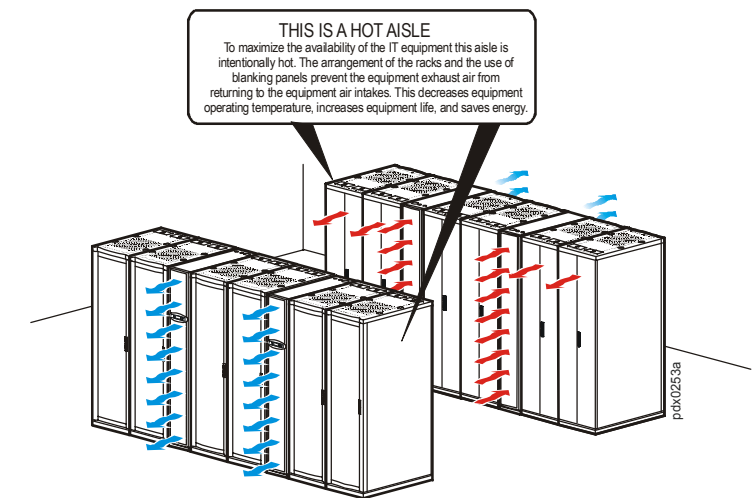
## How to label power cables

Label the end of each power cable to identify which modular breaker it is connected to.



## How to label hot aisles

Label the end enclosure on each side of every hot aisle. The end enclosures can be equipment racks or power equipment (PDU, UPS, XR Battery Enclosure).



## Contact Information

For local, country-specific centers: go to [www.apc.com/support/contact](http://www.apc.com/support/contact) or see the back cover of the operation manual for phone numbers.