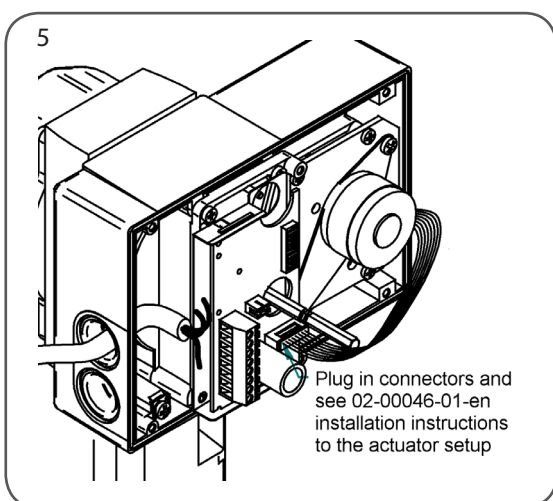
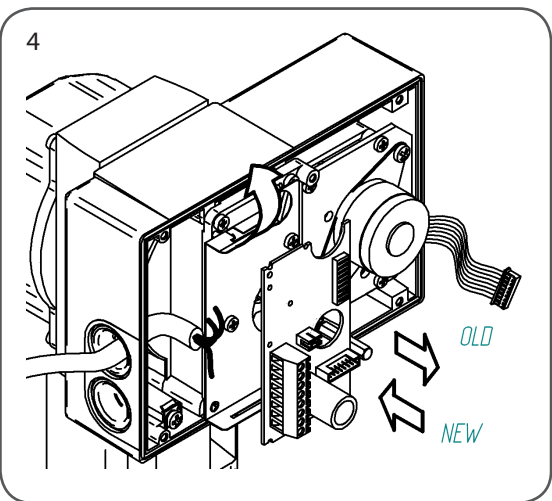
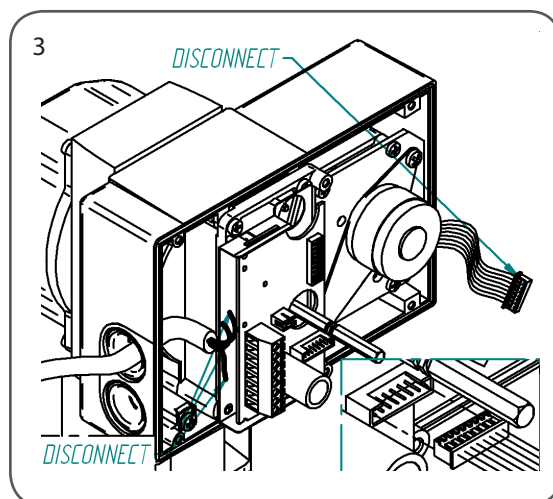
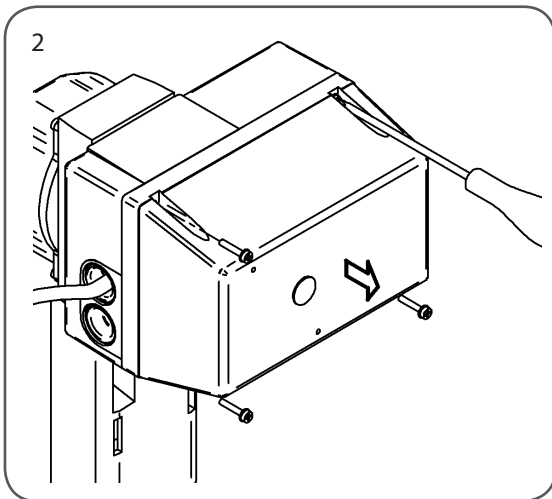
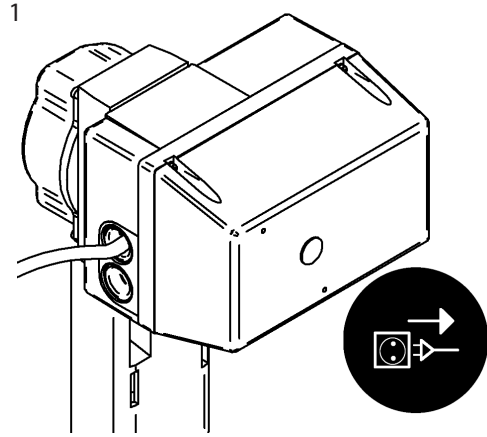


M700 Circuit board

Installation



Hot media hazard. Before removing circuit board from actuator, ensure that the valve is in emergency position. Work should be carried out by a competent engineer.



Plug in connectors and see 02-00046-01-en installation instructions to the actuator setup