

M310/315/400/800/1500

Circuit Board

These installation instructions apply to the following actuators with version number (three last digits) as shown, or higher.

Denna installationsanvisning gäller endast följande ställdon, med angivet versionsnummer (tre sista siffrorna), eller högre. Diese Montageanleitung gilt für die folgenden Stellantriebe mit der angegebenen Versionsnummer (drei letzte Ziffern) oder einer höheren Versionsnummer.

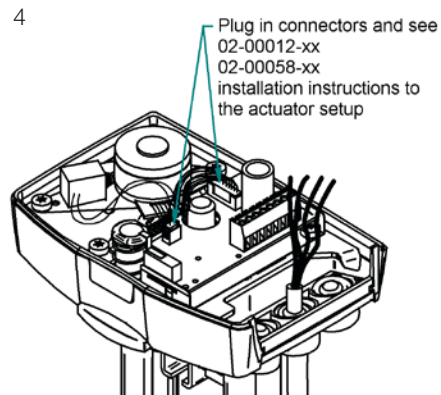
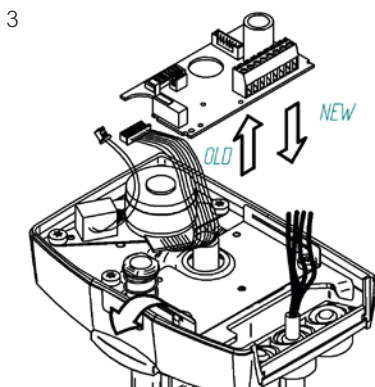
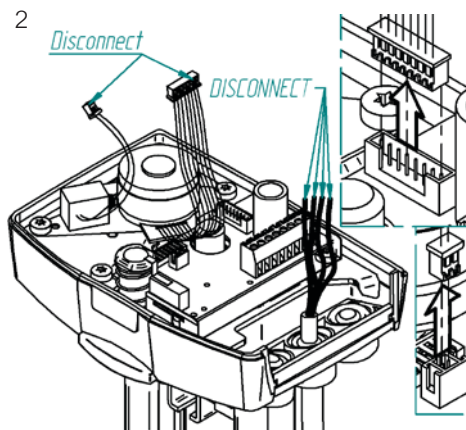
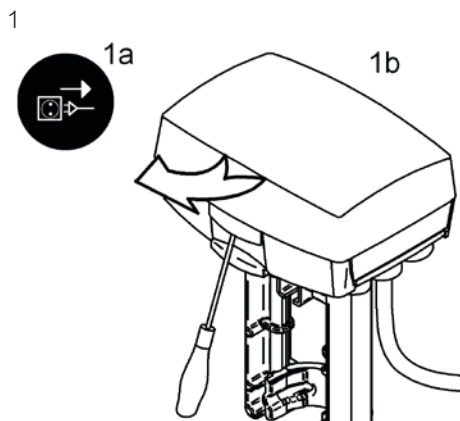
M310.....	880-0210-030
M310 S2	880-0211-030
M400.....	880-0230-030
M400 S2	880-0231-030
M800.....	880-0310-030
M800 S2	880-0311-030
M1500.....	880-0450-000
M1500-S2	880-0451-000

⚠ WARNING

HOT MEDIA HAZARD

- Before removing circuit board from actuator ensure the valve is in emergency position.
- Work should be carried out by a competent engineer.

Failure to follow these instructions may cause injury, death or equipment damage.



North America (USA): +1 888 444 1311
 Europe, Middle East & Africa (Sweden): +46 10 478 2000
 Asia Pacific (Singapore): +65 6484 7877
 product.support@schneider-electric.com
 www.schneider-electric.com

Life Is On

