

AccuSine SWP 20 - 480 A Active Harmonic Filter

Receiving and Unpacking

IMPORTANT SAFETY INSTRUCTIONS - SAVE THESE INSTRUCTIONS

Symbols Used



WARNING: Indicates a hazard, which, if not avoided, could result in personal injury or damage to product or other property.



Caution: Indicates a hazard, which, if not avoided, could result in injury or death.



Note: Indicates important information.

Weights and Dimensions

Conditioner Size	Weight kg	Height mm	Width mm	Depth mm (in)
20 A and 30 A	65	680	540	280
45 A and 60 A	110	780	590	325
90 A and 120 A	2 x 110	2 x 780	2 x 590	325

Receiving

External inspection

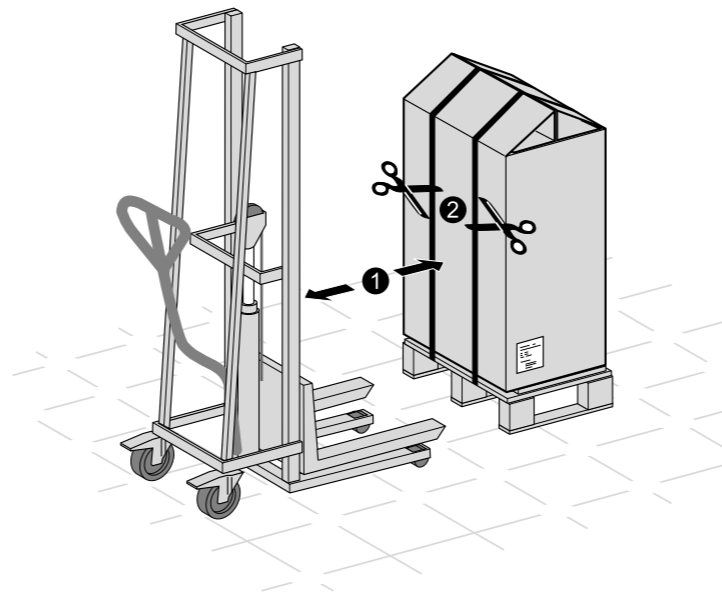
When the shipment arrives, inspect the shipping material for any signs of damage or mishandling. Do not attempt to install the system if a damage is apparent. If any damage is noted, contact Schneider Electric and file a damage claim with the shipping agency within 24 hours.

Compare the components of the shipment with the bill of lading. Report any missing items to the carrier and to Schneider Electric immediately.

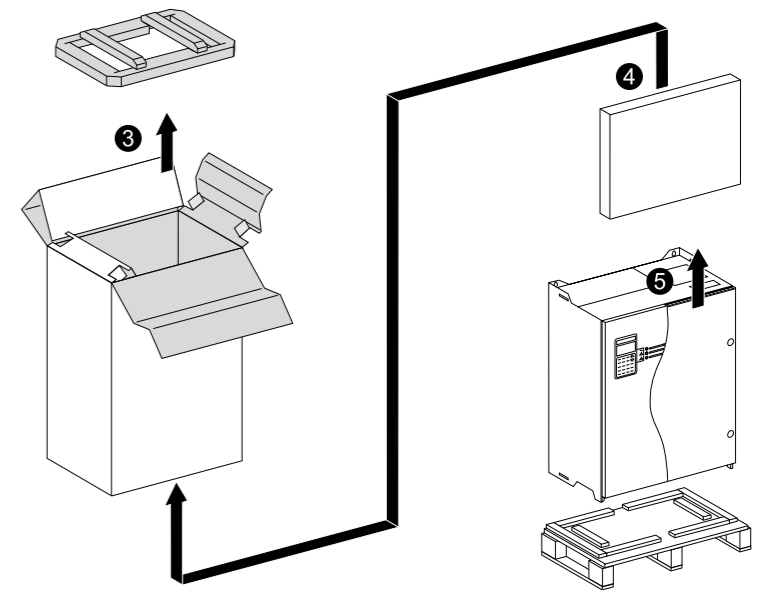
Verify that labelled units match the order confirmation.

Unpack

1. Unpack the equipment close to the installation location.
2. Cut the strips that secure the cardboard.



3. Remove the cardboard cover.
4. Remove the chock for later use.



5. Check the overturn indicator at the back of the equipment. If red, contact Schneider Electric.
6. Dispose of the packaging in accordance with the applicable legislation.

Move to Installation Site



WARNING: The AccuSine SWP must be installed in a room with restricted access (qualified personnel only).



Caution: To ensure correct ventilation, leave nothing on top of the AccuSine SWP.



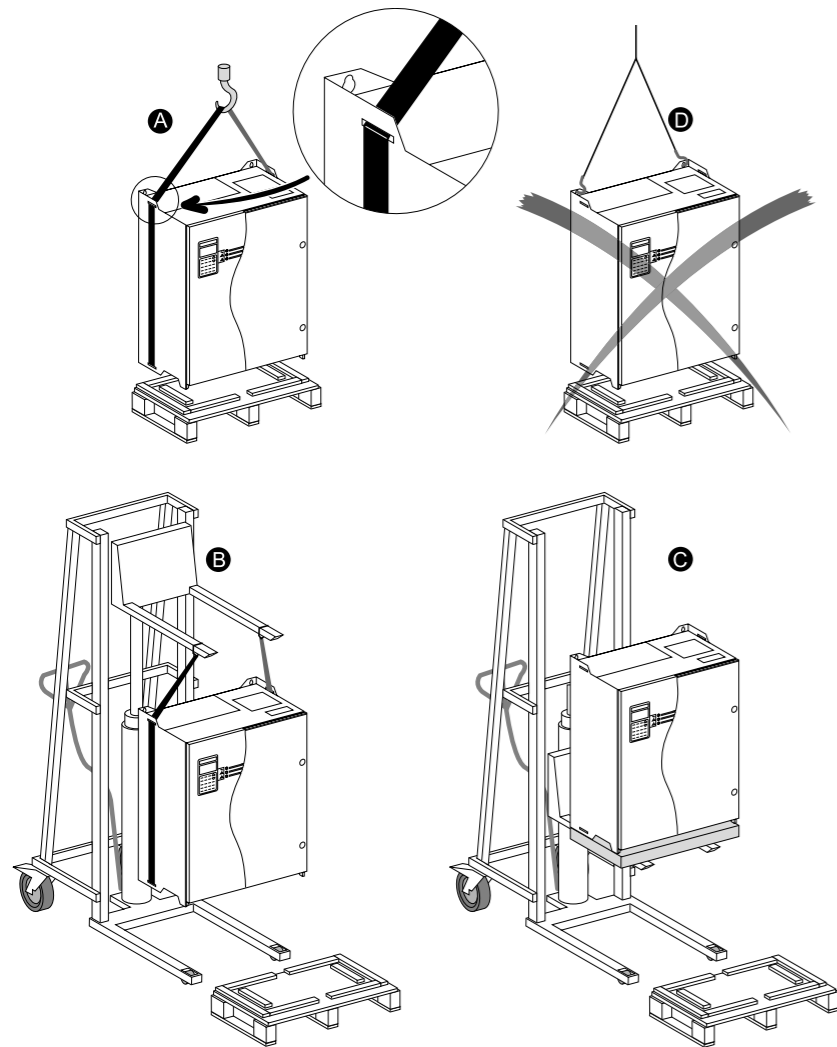
Note: Leave minimum 600 mm clearance in front of the AccuSine SWP for door opening.



Note: The AccuSine SWP must be mounted vertically and away from any source of heat (heating system, transformer, motor, etc.). It may be installed in a cubicle or fixed against a wall.

1. Choose between the following methods:




- A. Guide the straps through the holes and secure the straps in the hook.
- B. Guide the straps through the holes and carry with the fork lift.
- C. Place chock on fork lift.
- D. **DO NOT** carry the equipment in this way.



Storage Conditions



Note: The AccuSine SWP must always be stored vertically and its original packing.

		
Storage temperature: -20°–45°C in a dry place	Relative humidity: 0–95% Non-condensing	Altitude: 0–1500 m

Contact Information

For local, country-specific centers: go to www.schneider-electric.com.