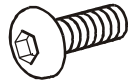


NetShelter Recessed Rail Kit 750mm—AR8009BLK

Inventory



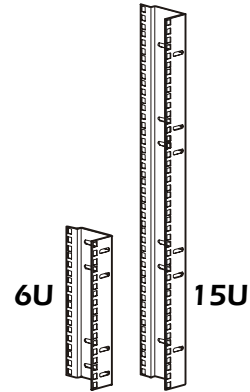
❶ M6 screw (24)



❷ M6 caged nut (24)



❸ Horizontal brace (4)



❹ 6U and ❺ 15U vertical mounting rail (4 each)

Tools required



Caged nut tool



5-mm hex wrench

How to install and remove caged nuts

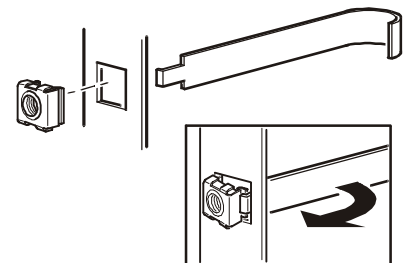
To install a caged nut:



Warning

Install the caged nut horizontally. Do not install the caged nut vertically with the sides of the caged nut engaging the top and bottom of the square hole.

1. Insert the caged nut into the square hole by hooking one side of the caged nut assembly through the far side of the hole.
2. Place the caged nut tool (provided) on the other side of the caged nut and pull to snap it into position.



To remove a caged nut:

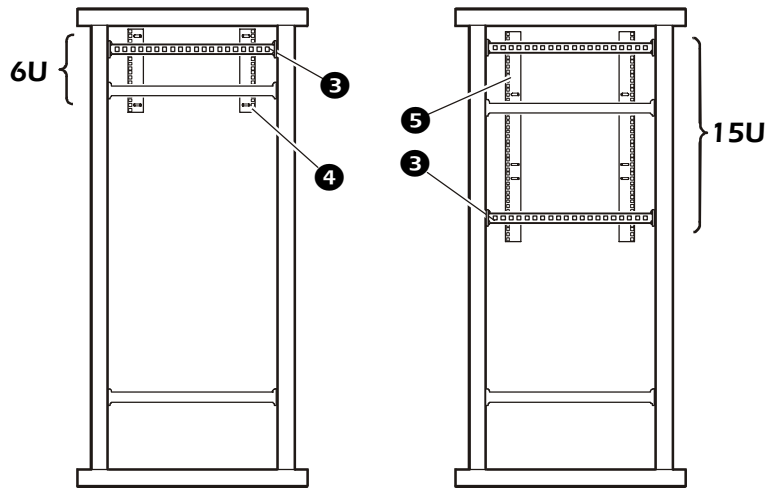
1. Remove any attached screw.
2. Grasp the caged nut and squeeze the sides to release it from the square hole.

Location of horizontal braces

The location of the 6U or 15U vertical mounting rails needs to be determined to correctly position the horizontal braces.

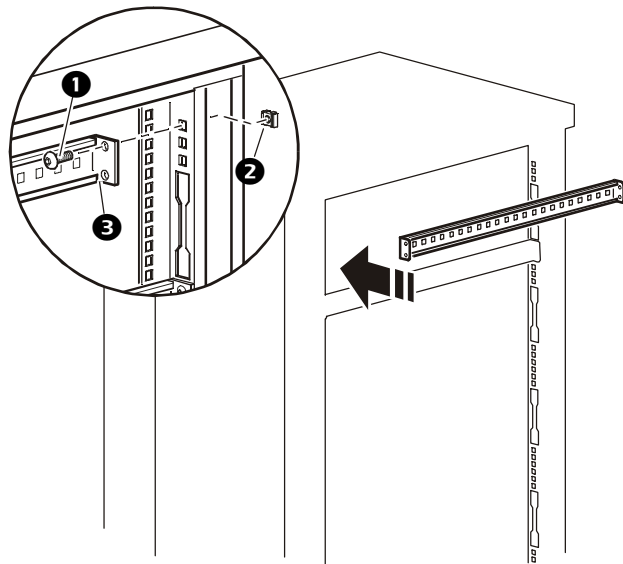


The vertical mounting rails can be installed at any height that allows proper spacing. Illustration provided shows rails mounted in the top of the enclosure.

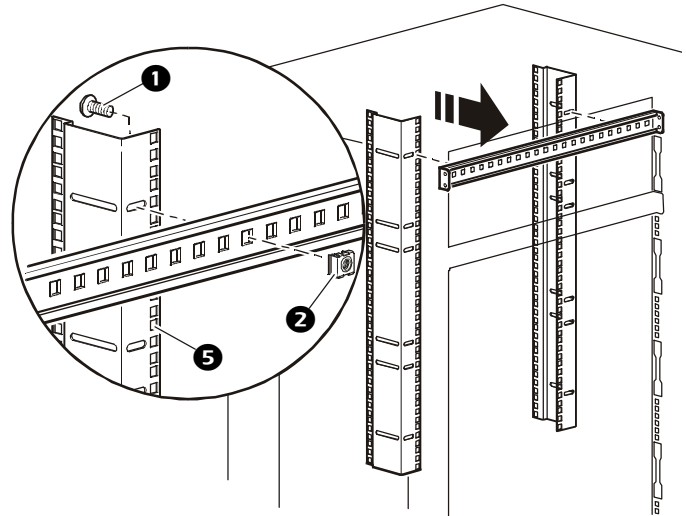


How to install the 15U vertical mounting rails

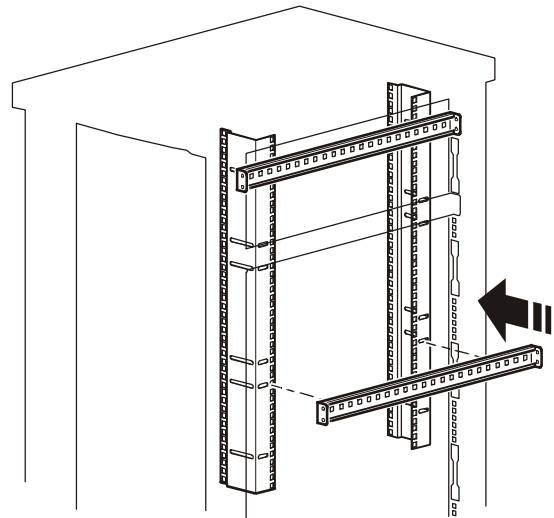
1. Install an upper horizontal brace (3) in the uppermost position needed for mounting the 15U vertical mounting rail in the enclosure, using four M6 screws (1), and four M6 caged nuts (2).



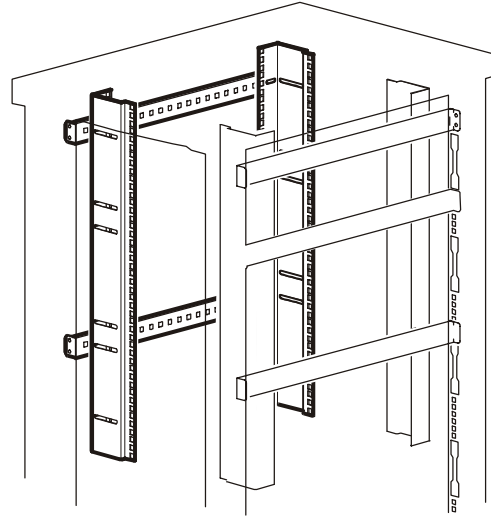
- Using the first slot (of the vertical mounting rail), attach the 15U vertical mounting rails to the inside of the horizontal brace, using two M6 caged nuts **2** and two M6 screws **1** for each vertical mounting rail.



- Using the fifth slot of the vertical mounting rails, attach the lower horizontal brace to the vertical mounting rails using two M6 caged nuts **2** and two M6 screws **1**.
- Attach the lower horizontal brace **3** to the enclosure, using four screws **1** and four caged nuts **2**.

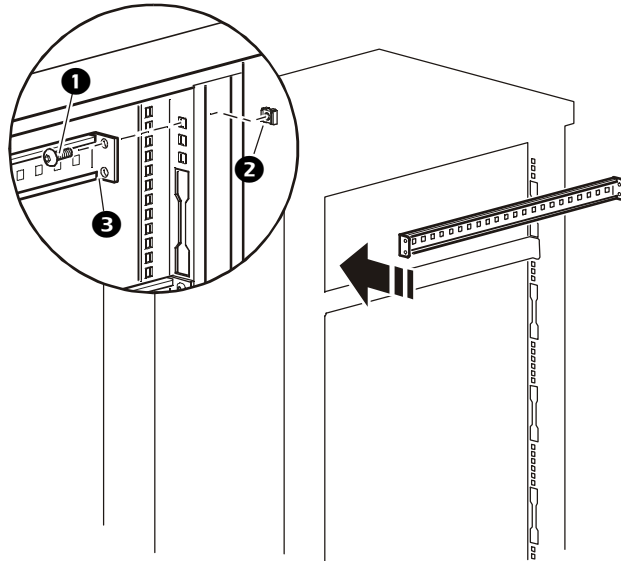


5. Repeat steps 1–4 to install the vertical mounting rails on the other side of the enclosure.

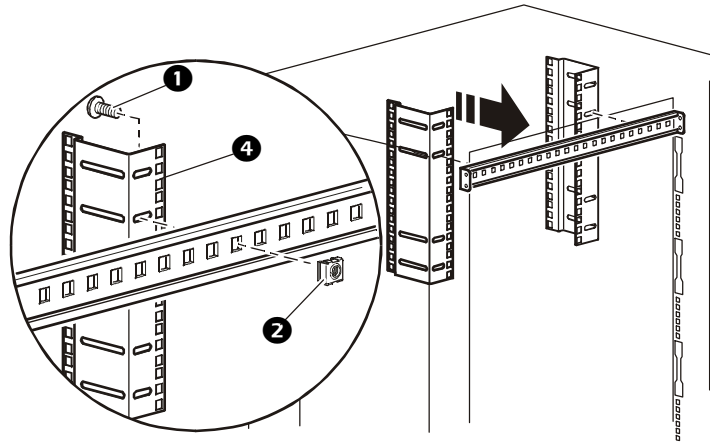


How to install the 6U vertical mounting rails

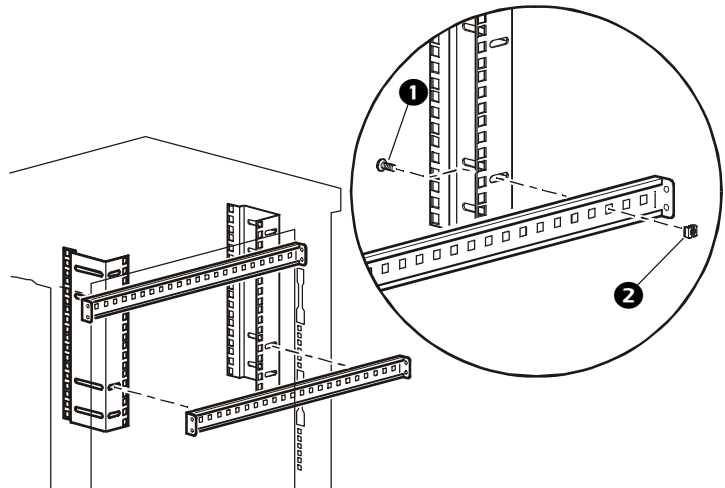
1. Install a horizontal brace **3** in the uppermost position needed for mounting the 6U vertical mounting rail in the enclosure, using four screws **1** and four caged nuts **2**.



2. Attach the 6U vertical mounting rails to the inside of the horizontal brace using the second slot on the vertical rail. Use two M6 caged nuts **2** and two M6 screws **1** for each vertical mounting rail **4**.

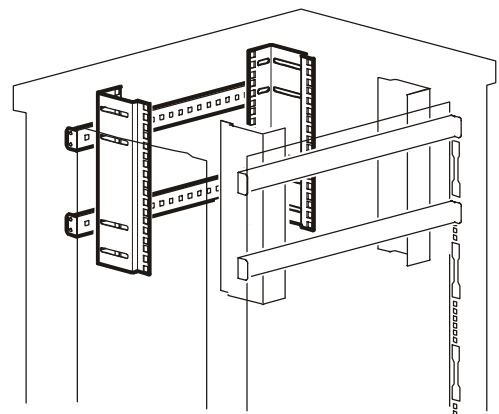


3. Using the third slot of the vertical mounting rails, attach the lower horizontal brace to the vertical mounting rails using two M6 caged nuts **2** and two M6 screws **1**.



4. Attach the lower horizontal brace **3** to the enclosure, using four screws **1** and four caged nuts **2**.

5. Repeat steps 1–4 for the other side of the enclosure.





APC Worldwide Customer Support

Customer support for this or any other APC product is available at no charge in any of the following ways:

- Visit the APC Web site to find answers to frequently asked questions (FAQs), to access documents in the APC Knowledge Base, and to submit customer support requests.
 - **www.apc.com** (Corporate Headquarters)
Connect to localized APC Web sites for specific countries, each of which provides customer support information.
 - **www.apc.com/support/**
Global support with FAQs, knowledge base, and e-support.
- Contact an APC Customer Support center by telephone or e-mail.
 - Regional centers:

Direct InfraStruXure Customer Support	(1)(877)537-0607 (toll free)
APC headquarters U.S., Canada	(1)(800)800-4272 (toll free)
Latin America	(1)(401)789-5735 (USA)
Europe, Middle East, Africa	(353)(91)702055 (Ireland)
Japan	(0) 3 5434-2021
Australia, New Zealand, South Pacific	(61) (2) 9955 9366 (Australia)

- Local, country-specific centers: go to **www.apc.com/support/contact** for contact information.

Contact the APC representative or other distributor from whom you purchased your APC product for information on how to obtain local customer support.

Entire contents copyright © 2003 American Power Conversion. All rights reserved.
Reproduction in whole or in part without permission is prohibited. APC, the APC logo, NetShelter and InfraStruXure are trademarks of American Power Conversion Corporation and may be registered in some jurisdictions. All other trademarks, product names, and corporate names are the property of their respective owners and are used for informational purposes only.



990-1572



11/2003