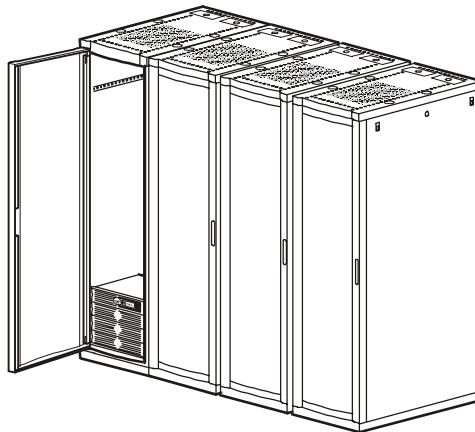


InfraStruXure™ for Wiring Closets and Computer Rooms: Site Preparation, Site Planning, and Installation

InfraStruXure for Wiring Closets and Computer rooms is an integrated power, rack, air, and management architecture consisting of standard, plug-and-play components. This architecture allows for fast and easy installation, and helps eliminate disorganization within an IT environment by providing a foundation for your critical IT equipment that fosters organization, ease-of-use, and control.



This guide summarizes how to install your InfraStruXure System. For detailed installation, operation, and maintenance instructions, see the documentation included with each component in your system.

Contact your APC representative or visit the APC website (www.apc.com) for a complete list of InfraStruXure System options and additional documentation.

Before installing or operating any InfraStruXure System components, read the safety instructions and warnings included in each component's manual.



This manual is available in English on the enclosed CD.

Dieses Handbuch ist in Deutsch auf der beiliegenden CD-ROM verfügbar.

Este manual está disponible en español en el CD-ROM adjunto.

Ce manuel est disponible en français sur le CD-ROM ci-inclus.

Questo manuale è disponibile in italiano nel CD-ROM allegato.

Deze handleiding staat in het Nederlands op de bijgevoegde cd.

Instrukcja Obsługi w j zyku polskim jest dost pna na CD.

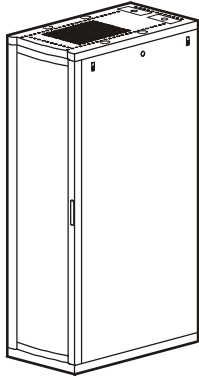
O manual em Português está disponível no CD-ROM em anexo.

Инструкция по использованию на русском языке прилагается на диске (CD).

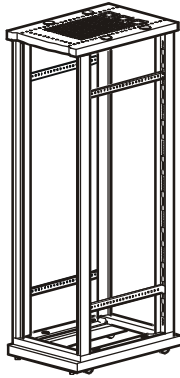
本マニュアルの日本語版は同梱の CD-ROM からご覧になれます。

System Components

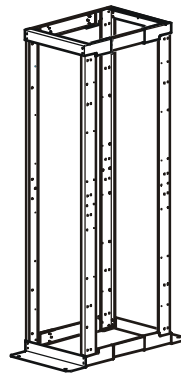
Rack



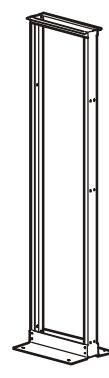
NetShelter VX[®]
Enclosure



NetShelter VX
Open Frame

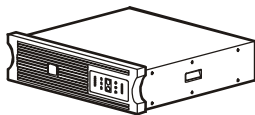


NetShelter
4-Post Open Frame

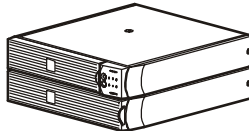


NetShelter
2-Post Open Frame

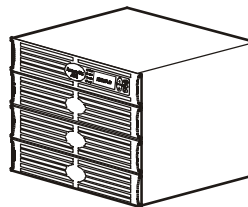
Power



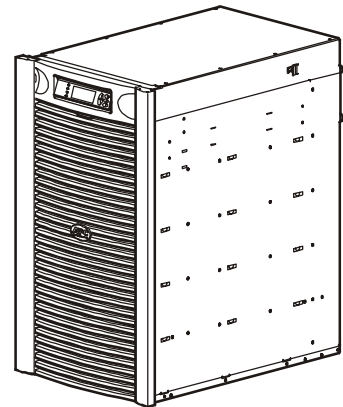
Smart-UPS[®]
1500 VA, 2200 VA
3000 VA, 5000 VA



Smart-UPS RT
2000 VA, 3000 VA
5000 VA, 7500 VA, 10,000 VA

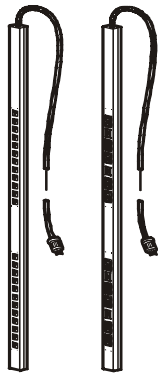


Symmetra[®] RM
2–6 kVA

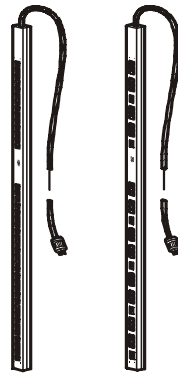


Symmetra LX
4–8 kVA, 8–16 kVA

Power Distribution



Basic
Rack PDUs

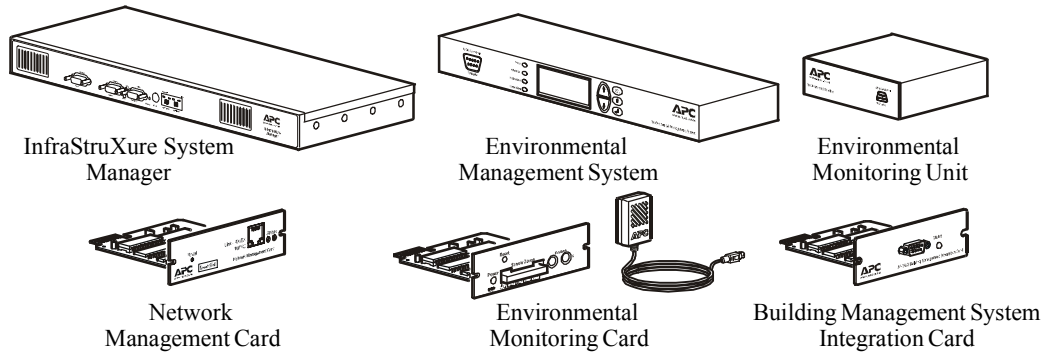


Metered
Rack PDUs

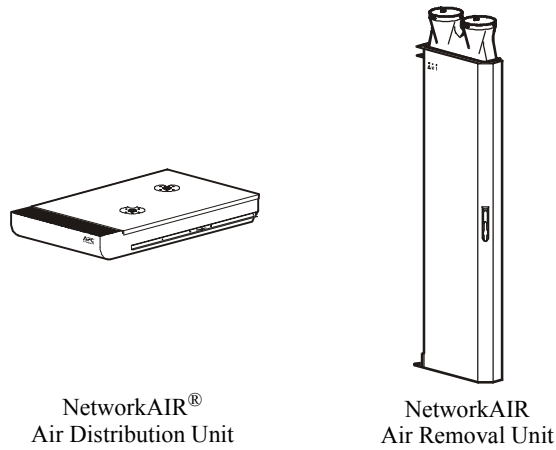


Switched
Rack PDUs

Management



Air



Rack accessories

APC offers the following rack accessories for InfraStruXure Systems:

- Keyboard drawers
- Keyboards
- Rack-mounting hardware
- Rack fan systems
- Security devices
- Shelving
- Stabilization plates and brackets
- Shielding troughs and cable ladders
- Blanking panels
- Grounding kits
- Rack PDU mounting brackets

Services[†]

APC offers the following service packages for InfraStruXure Systems:

- Installation and Start-Up Services
- Pre-Installation Consulting
- Extended Warranties
- On-Site Service
- Preventative Maintenance
- Battery Refresh Programs
- Network Integration for APC Software
- Remote Monitoring Service

[†] Some services are not available in all areas

Site Preparation

Verify the shipment

Ensure that all labeled pallets and boxes match your purchase order. Do not unpack the pallets and boxes until you are ready to install the system.

Environmental requirements



Warning

Batteries can be permanently damaged if installed in a system that is not being used. Store battery modules at an ambient temperature below 25° C.

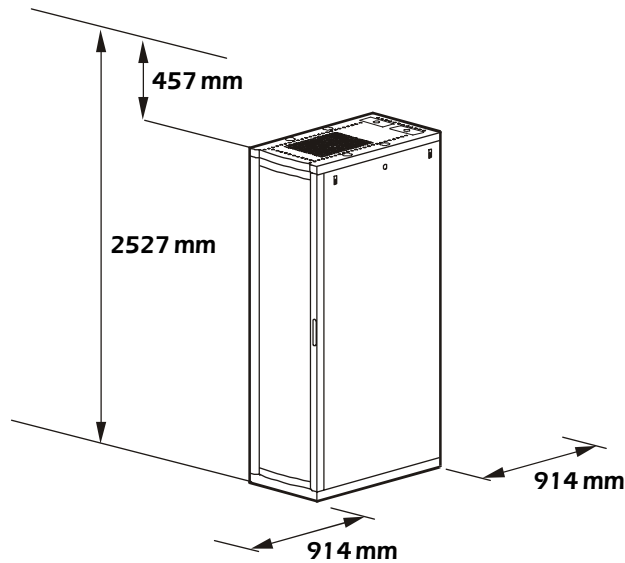
Select a site that is temperature-controlled, clean, dry, and free of conductive contaminants, and that meets the following specifications:

Temperature	0 to 40° C
Relative Humidity	0–95% non-condensing
Elevation above mean sea level	0–3000 m

Consider the heat dissipation ratings of equipment to determine cooling requirements. Additional cooling equipment may be required. For heat dissipation ratings of common InfraStruXure System UPS types, see the individual UPS product pages on the APC Web site (www.apc.com).

Access and ventilation requirements

Consult your local and national building and fire codes for additional requirements.



Weight considerations

Ensure that the floor and sub-floor can support the total weight of the system concentrated on the leveling feet of the system's enclosure. If you are placing equipment on a raised floor, consult the flooring manufacturer for loading requirements before installing equipment.

Decide what equipment will be installed in your racks and enclosures. Do not exceed the maximum capacity listed in the table.

Rack or Enclosure	Maximum Capacity
NetShelter VX Enclosure	(907 kg)
NetShelter VX Open Frame	(907 kg)
NetShelter 4-Post Open Frame	(454 kg)
NetShelter 2-Post Open Frame	(340 kg)

Electrical requirements and safety



Consult your UPS and power distribution manuals for detailed electrical requirements and installation instructions.

Consult your national and local codes for requirements other than those listed in the manuals included with your products.

The UPS contains internal batteries and may present a shock hazard even when disconnected from the branch circuit (mains). See the safety information in your UPS manual.

Electrical input

Product	Connection Method	Connection Type	Voltages Supported
Symmetra RM 2–6 kVA	Hard-wired	40 A, 2-pole (external); #10AWG (6 mm ²)	230
Symmetra LX 4–8 kVA	Hard-wired	50 A, 2-pole (external); #6AWG (16 mm ²)	230
Symmetra LX 8–16 kVA	Hard-wired	100 A, 2-pole (external); #3AWG (25 mm ²)	230
Smart-UPS 1500	Cord-connected	IEC 320 C14	230
Smart-UPS 2200	Cord-connected	IEC 320 C20, Schuko CEE 7/EU1-16P, or British BS136A	230
Smart-UPS 3000	Cord-connected	IEC 320 C20, Schuko CEE 7/EU1-16P, or British BS136A	230
Smart-UPS 5000	Hard-wired	3-wire, #10AWG (6 mm ²)	230
Smart-UPS RT 2000	Cord-connected	IEC 320 C20, Schuko CEE 7/EU1-16P, or British BS136A	230
Smart-UPS RT 3000	Cord-connected	IEC 320 C20, Schuko CEE 7/EU1-16P, or British BS136A	230
Smart-UPS RT 5000	Hard-wired	3-wire, #10AWG (6 mm ²)	230
Smart-UPS RT 7500	Hard-wired	50 A, 2-pole, #8AWG (10 mm ²), or 50 A, 4-pole, #8AWG (10 mm ²)	230
Smart-UPS RT 10000	Hard-wired	63 A, 2-pole, #6AWG (16 mm ²), or 63 A, 4-pole, #6AWG (16 mm ²)	230
Cord-Connected PDU	Cord-connected	IEC 320 C19	230

Electrical output

Product	Connection Type	Voltages Supported
Symmetra RM 2–6kVA	(8) IEC 320 C13 (2) IEC 320 C19	230
Symmetra LX 4–8kVA	(8) IEC 320 C13 (6) IEC 320 C19 (1) Hard-wired 3-wire (G+N+L1)	230
Symmetra LX 8–16kVA	(8) IEC 320 C13 (10) IEC 320 C19 (1) Hard-wired 3-wire (G+N+L1)	230
Smart-UPS 1500	(4) IEC 320 C13	230
Smart-UPS 2200	(8) IEC 320 C13 (1) IEC 320 C19	230
Smart-UPS 3000	(8) IEC 320 C13 (1) IEC 320 C19	230
Smart-UPS 5000	(8) IEC 320 C13 (2) IEC 320 C19	230
Smart-UPS RT 2000	(6) IEC 320 C13	230
Smart-UPS RT 3000	(8) IEC 320 C13 (2) IEC 320 C19	230
Smart-UPS RT 5000	(8) IEC 320 C13 (2) IEC 320 C19	230
Smart-UPS RT 7500	(4) IEC 320 C13 (4) IEC 320 C19 (1) Hard-wired 3-wire (H+N+G)	230
Smart UPS RT10000	(4) IEC 320 C13 (4) IEC 320 C19 (1) Hard-wired 3-wire (H+N+G)	230

Emergency Power-Off (EPO)



A licensed electrician must connect the remote emergency power-off (EPO) device.

If required by local or national codes, you must connect the EPO (to disable output power in an emergency) either as internally powered for use with non-powered switch circuits, or externally powered for use with +24 VDC-powered switch circuits. The EPO circuit must be a Class 2 (UL and CSA standard) and SELV (IEC standard) circuit, isolated from all primary circuitry.



See the installation instructions included with your UPS for instructions on wiring.

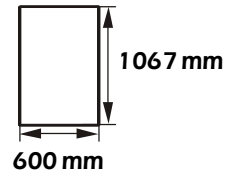
The connection of the UPS to the EPO requires one of the following cable types:

Cable	Description
CL2	Class 2 cable for general use.
CL2P	Plenum cable for use in ducts, plenums, and other spaces used for environmental air-flow.
CL2R	Riser cable for use in a vertical run in a shaft from floor to floor.
CLEX	Limited use cable for use in dwellings and in raceways.

Site Planning

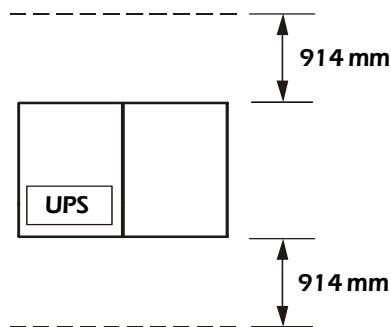
The following are sample configurations you can use to plan the layout of your computer room. Actual number of racks supported may be less than shown depending upon the actual load per rack. The clearances shown are the minimum requirements. Check your local and national codes for additional requirements.

NetShelter VX Dimensions



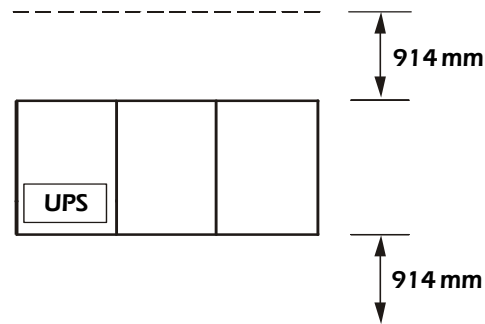
Smart-UPS 1500 VA

Supports up to two NetShelter VX enclosures and one UPS.



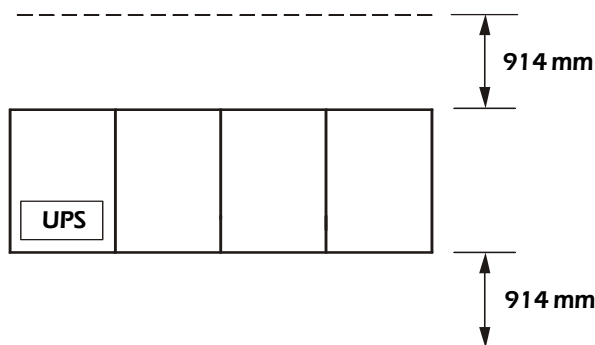
Smart-UPS 2200 VA or 3000 VA

Supports up to three NetShelter VX enclosures and one UPS.



Smart-UPS 5000VA or Symmetra RM (2–6 kVA)

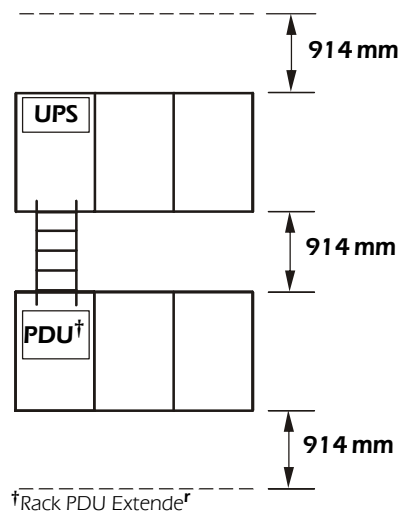
Supports up to four NetShelter VX enclosures and one UPS.



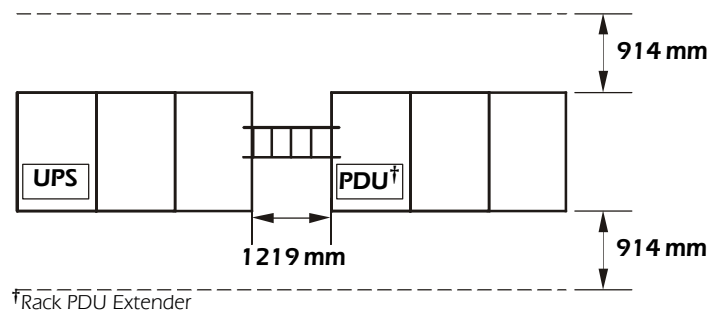
Symmetra LX (4–8 kVA)

Supports four NetShelter VX enclosures, one UPS, and one Rack PDU Extender.

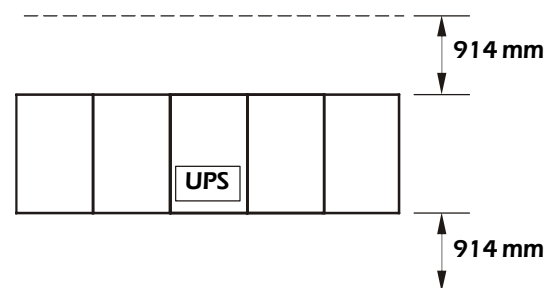
Parallel rows. Set up two short, parallel rows. Run a APC Cable Ladder between the rows.



Adjacent short rows. Set up two short, adjacent rows. Run a APC Cable Ladder between the rows.



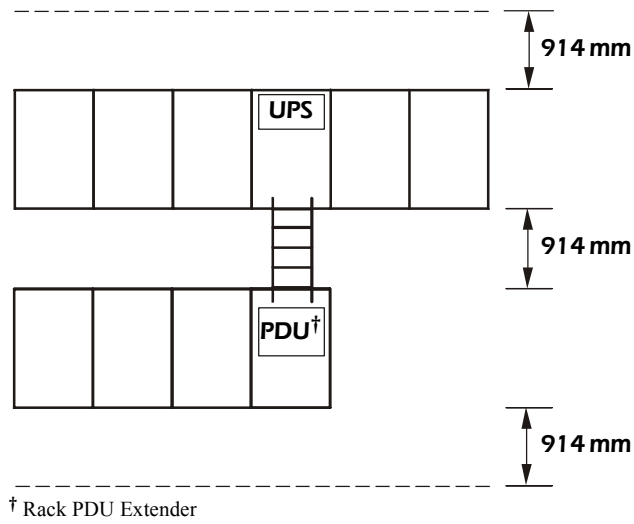
One row. Set up one long row.



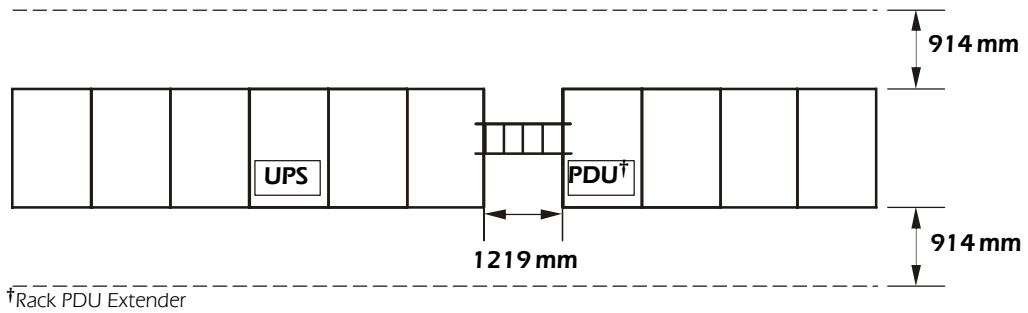
Symmetra LX (8–16 kVA)

Supports eight NetShelter VX enclosures, one UPS, and one Rack PDU Extender.

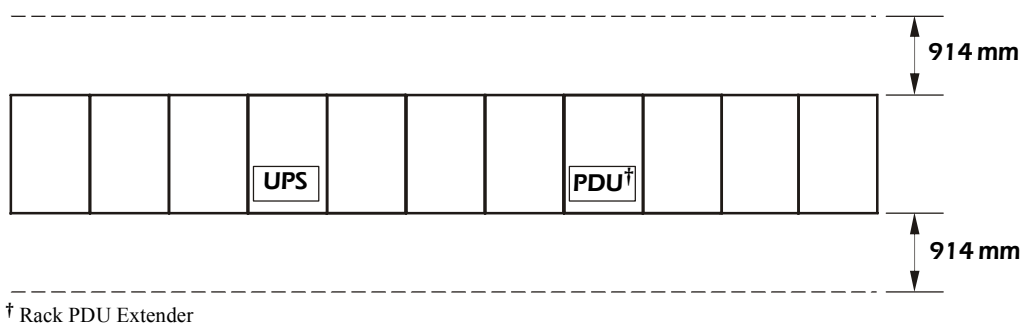
Parallel rows. Set up two short, parallel rows. Run a APC Cable Ladder between the rows.



Adjacent short rows. Set up two short, adjacent rows. Run a APC Cable Ladder between the rows.



One row. Set up one long row.



Basic Installation Procedures

Unpack racks and enclosures

Unpack each rack and enclosure included with your shipment according to the unpacking instructions in the rack or enclosure manual.



Note

Make sure all boxes and packaging are empty before discarding them.

Assemble racks and enclosures

Orient the racks and enclosures in the planned location (see “Site Planning” on page 10), and make any necessary adjustments to the enclosures that are needed for your location.

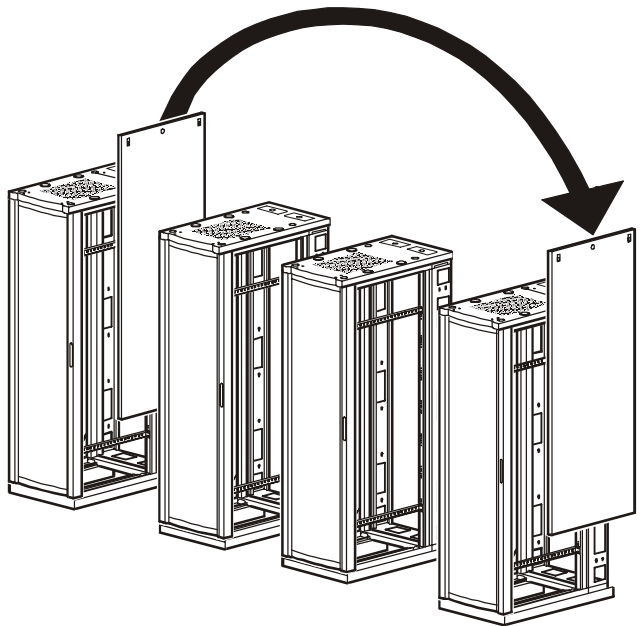
If you have enclosures as part of your system. Each row should include one enclosure with side panels. The other enclosures should be expansion enclosures without side panels.

1. Place the enclosure with side panels at the end of the row, and remove the side panel that is adjacent to an expansion enclosure. Place the side panel that you removed on the expansion enclosure at the end of the row.
2. Join adjacent enclosures.



See also

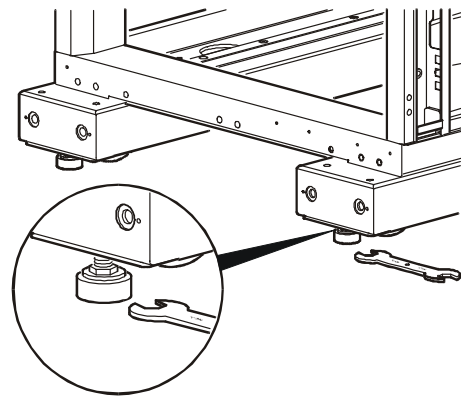
See the manual included with your enclosures for instructions.



3. Level the enclosures.

Leveling feet are attached under the enclosure at the corners. The leveling feet can help provide a stable base if the selected floor space is uneven, but cannot compensate for a badly sloped surface. To level the enclosure:

- a. Fit the 14-millimeter end of the open-ended wrench (provided) to the hex head just above the round pad on the bottom of a leveling foot. Turn the wrench clockwise to extend the leveling foot until it makes firm contact with the floor.
- b. Repeat step a for each of the remaining leveling feet.
- c. Use a level to determine which feet need further adjustment to level the enclosure. Adjust as necessary.



Install the UPS



See also

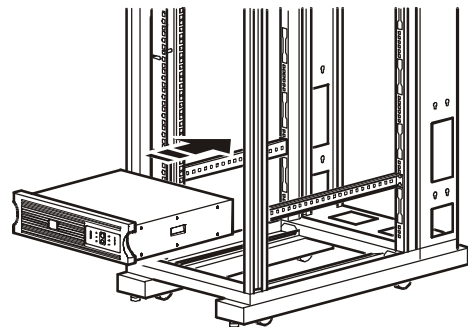
Follow the installation procedures in the manual included with your UPS.



Heavy

Use two people to install the UPS.

Install the UPS in the bottom of the selected rack or enclosure. (See “Site Planning” on page 10 for sample configurations.) If you have a Symmetra RM UPS or a Symmetra LX UPS, install the power and battery modules after you install the UPS in the rack.



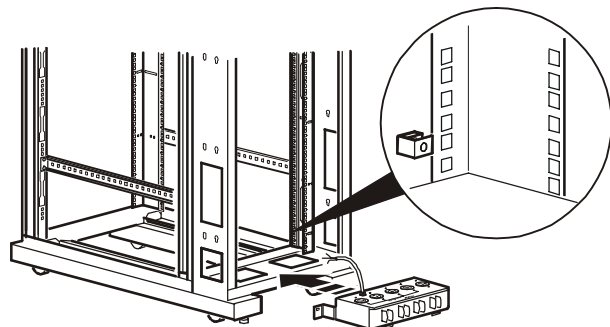
Install the Rack PDU Extender

The Rack PDU Extender is used primarily with the Symmetra LX UPS and the NetShelter VX Enclosure. It snaps into the base of the NetShelter VX rear channel, and occupies the bottom 2U of space behind the rear vertical mounting rails.



See also

Follow the procedures in the instruction sheet included with your Rack PDU Extender.



Install Rack PDUs



See also

See the manual included with your Rack PDUs for detailed safety and installation instructions.

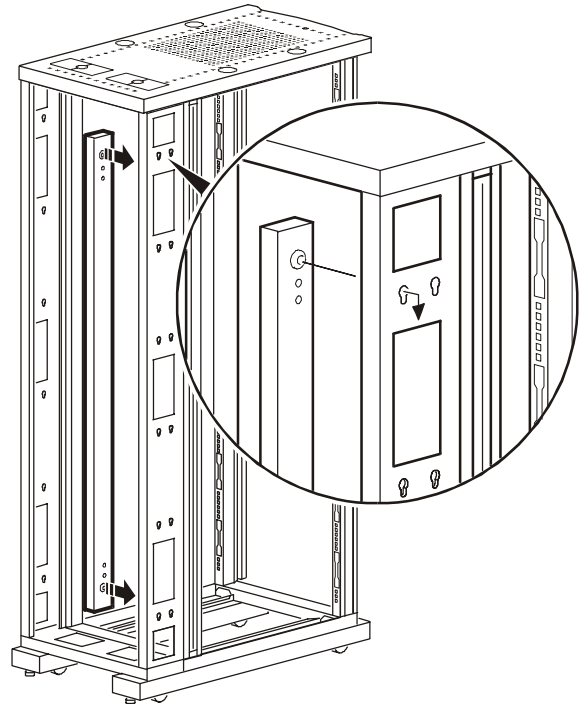
Install vertical APC Rack PDUs in the rear of a NetShelter VX Enclosure, in the cable channel directly behind the rear vertical mounting rails. You can install the Rack PDU in one of two ways: using toolless mounting pegs (provided) or the mounting brackets (sold separately).



Note

You can mount two Rack PDUs on one side of the enclosure by using the toolless mounting method.

1. Slide the mounting pegs into the holes located in the channel in the rear panel of the enclosure.
2. Snap the Rack PDU into place by pushing it downward until it locks into position.



Install optional equipment in the enclosures



See also

See the manual included with your optional InfraStruXure equipment for detailed safety and installation instructions.

Basic Connection Procedures

Overview

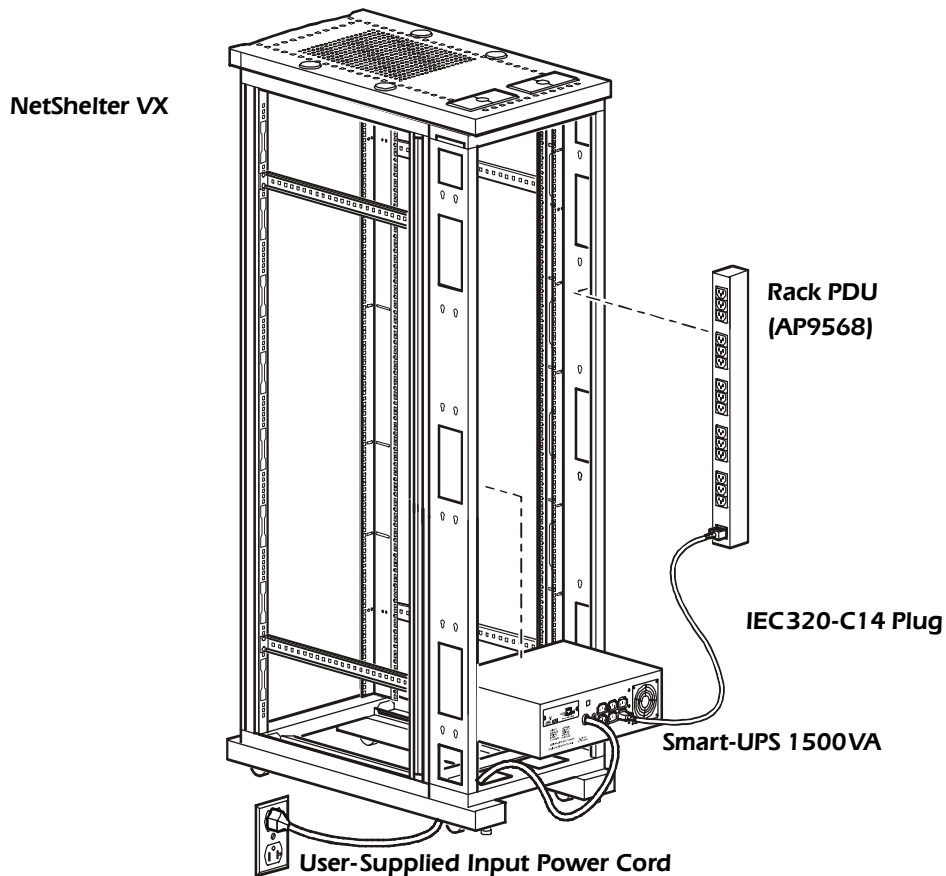
This section illustrates typical configurations. Your configuration may vary. If you have questions, consult the user manual of each component, visit the APC Web site (www.apc.com), or contact Customer Support at a number on the back cover of this manual.



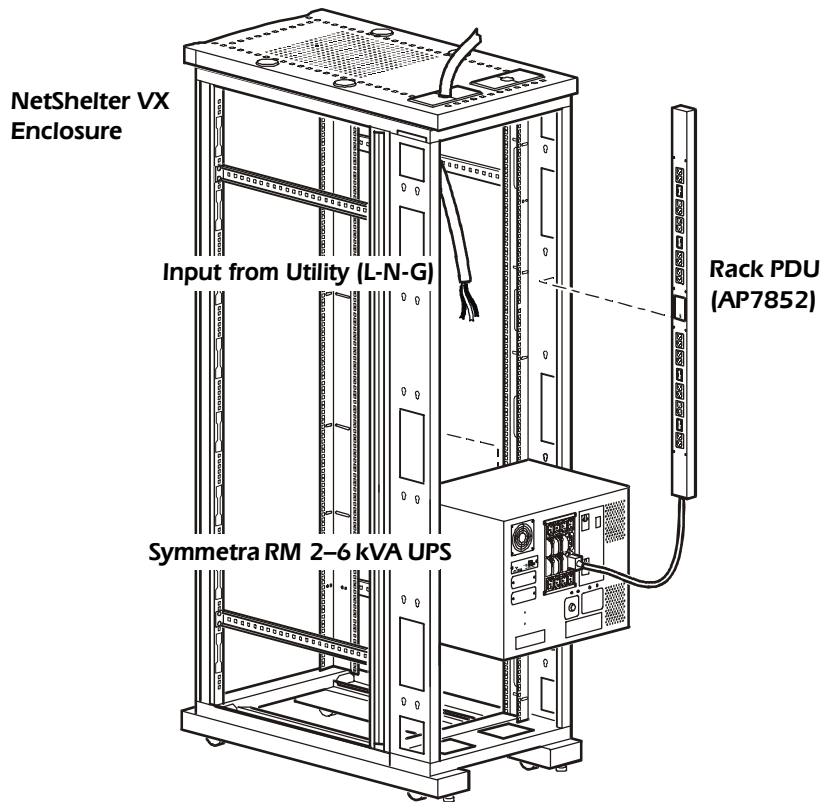
Caution

Do not use only these diagrams to connect your equipment. Read and follow the safety and connection instructions in the manual included with your UPS and power distribution equipment.

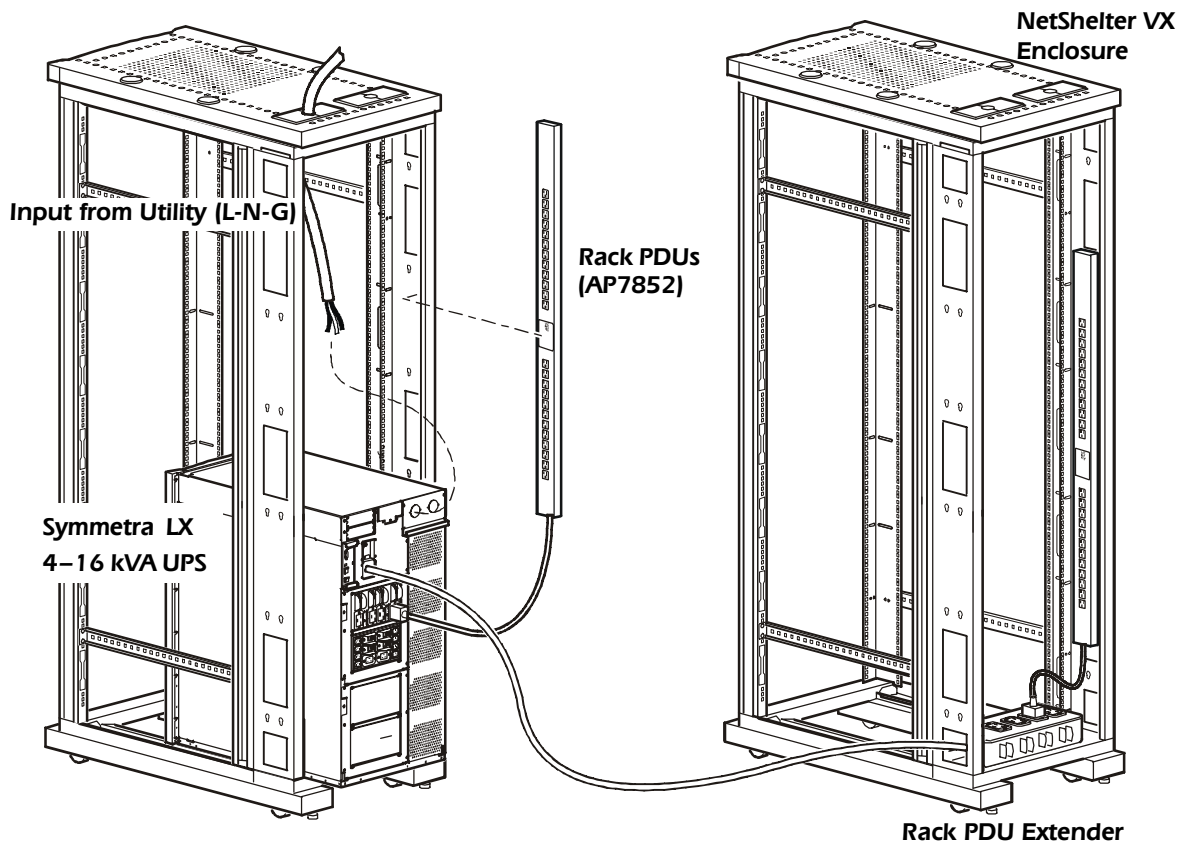
Smart-UPS 1500VA, 2200VA, 3000 VA



Symmetra RM 2–6 kVA UPS

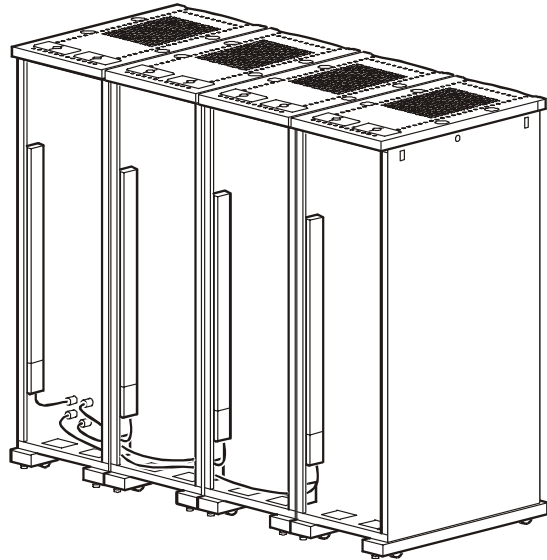


Symmetra LX 8–16 kVA UPS



Connect Rack PDUs to the UPS

Route the Rack PDU power cords to the UPS through the bottom of the enclosures, using the holes in the enclosures' vertical posts. Plug each power cord into an outlet on the UPS, or Rack PDU Extender. The diagram shows vertical Rack PDUs; however, you can use any APC Rack PDUs with plugs that match your UPS outlets, or Rack PDU Extender outlets. See "Electrical requirements and safety" on page 7 for information on the outlet type of each UPS.



Connect UPS Batteries

The Smart-UPS models are shipped with the batteries installed; however, you must make the necessary connections to energize the batteries before the UPS will operate.

Ensure that the battery modules in the Symmetra RM or Symmetra LX UPS are seated properly.



See also

See the manual included with your UPS for detailed safety and installation instructions.

Configure APC management devices

Your InfraStruXure System can be managed through the APC Network Management Card or through the InfraStruXure System Manager.

If you have an InfraStruXure System Manager as part of your system, connect each Network Management card to the InfraStruXure System Manager hub using CAT5 network cables, and configure the InfraStruXure System Manager.



See also

See the manual included with your InfraStruXure System Manager for quick configuration instructions, and see the on-line help on the InfraStruXure System Manager's interface for more information on managing the system.

If you do not have an InfraStruXure System Manager as part of your system, configure the network settings of each Network Management card in your system.



See also

See the manual included with your Network Management Card for quick configuration instructions and the supporting documentation on the CD for more detailed information.

Warranty

InfraStruXure Standard Warranty

APC warrants that all components of the InfraStruXure system will be free from defect in material and workmanship for a period of two years from the date of start up when start up has been performed by APC authorized service personnel*. If assembly services are included in the original purchase and are also performed by APC authorized service personnel, APC offers an additional year of warranty at no additional charge. In the event that the system fails to meet the forgoing warranty, APC shall repair or replace, at its sole discretion, any such defective parts. Under this warranty, APC will ship all parts to your site at no cost to be available for you the next business day after APC is notified of this requirement. If you choose to upgrade the system to include an on site contract, APC offers modular service packages to match your needs.

Each point product incorporated into the system has a separate factory warranty that is applied when sold as a standalone unit. When incorporated into an InfraStruXure solution, the unit will be covered by the InfraStruXure warranty. In cases where one warranty favors the customer over the other, the stronger of the two warranties will take precedence.

*All warranties are null and void unless installation and startup are performed by authorized APC Global Services service centers.

APC shall not be liable under this warranty if its testing and examination disclose that the alleged defect in the product does not exist or was caused by purchaser's or any third person's misuse, negligence, improper installation or testing, unauthorized attempts to repair or modify, or any other cause beyond the range of the intended use, or by accident, fire, lightning or other hazard.

There are no warranties, express or implied, by operation of law or otherwise, of products sold, serviced or furnished under this agreement or in connection herewith. APC disclaims all implied warranties of merchantability, satisfaction and fitness for a particular purpose. APC's express warranties will not be enlarged, diminished, or affected by and no obligation or liability will arise out of, APC's rendering of technical or other advice or service in connection with the products. The foregoing warranties and remedies are exclusive and in lieu of all other warranties and remedies. The warranties set fourth above constitute APC's sole liability and purchaser exclusive remedy for any breach of such warranties. APC's warranties run only to purchaser and are not extended to any third parties. In no event shall APC, its officers, directors, affiliates or employees be liable for any form of indirect, special consequential or punitive damages, arising out of the use, service or installation, of the products, whether such damages arise in contract or tort, irrespective of fault, negligence or strict liability or whether APC has been advised in advance of the possibility of such damages.

APC Worldwide Customer Support

Customer support for this or any other APC product is available at no charge in any of the following ways:

- Visit the APC Web site to access documents in the APC Knowledge Base and to submit customer support requests.
 - **www.apc.com** (Corporate Headquarters)
Connect to localized APC Web sites for specific countries, each of which provides customer support information.
 - **www.apc.com/support/**
Global support searching APC Knowledge Base and using e-support.
- Contact an APC Customer Support center by telephone or e-mail.
 - Regional centers:

Direct InfraStruXure Customer Support Line	(1)(877)537-0607 (toll free)
APC headquarters U.S., Canada	(1)(800)800-4272 (toll free)
Latin America	(1)(401)789-5735 (USA)
Europe, Middle East, Africa	(353)(91)702000 (Ireland)
Japan	(0) 3 5434-2021
Australia, New Zealand, South Pacific area	(61) (2) 9955 9366 (Australia)

- Local, country-specific centers: go to **www.apc.com/support/contact** for contact information.

Contact the APC representative or other distributor from whom you purchased your APC product for information on how to obtain local customer support.

Entire contents copyright © 2004 American Power Conversion. All rights reserved. Reproduction in whole or in part without permission is prohibited. APC, the APC logo, InfraStruXure, NetShelter, NetworkAIR, Smart-UPS, and Symmetra are trademarks of American Power Conversion Corporation and may be registered in some jurisdictions. All other trademarks, product names, and corporate names are the property of their respective owners and are used for informational purposes only.

