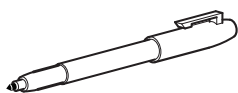
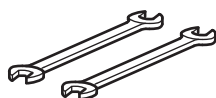


Flooded Receiver Assembly and Installation

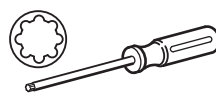
Tools Required



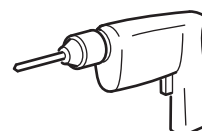
Pen



8 mm

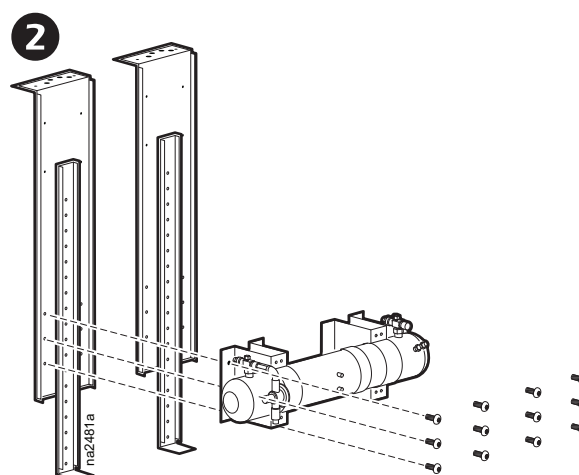
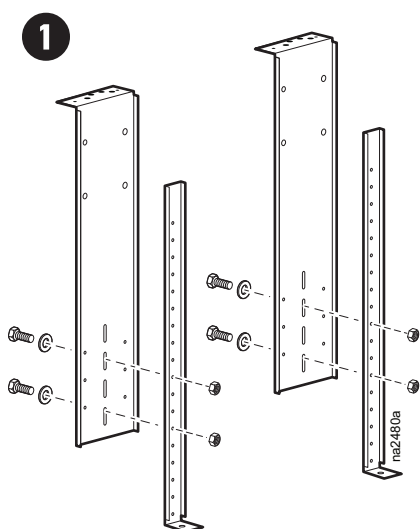


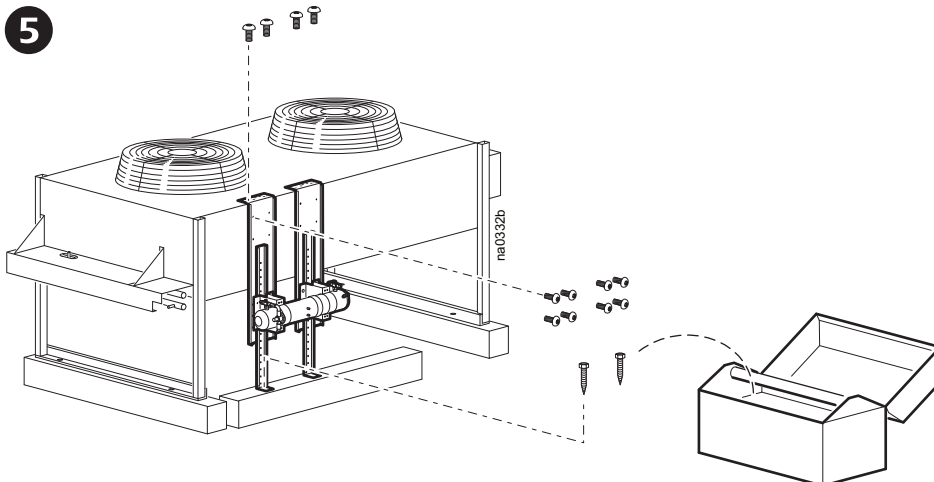
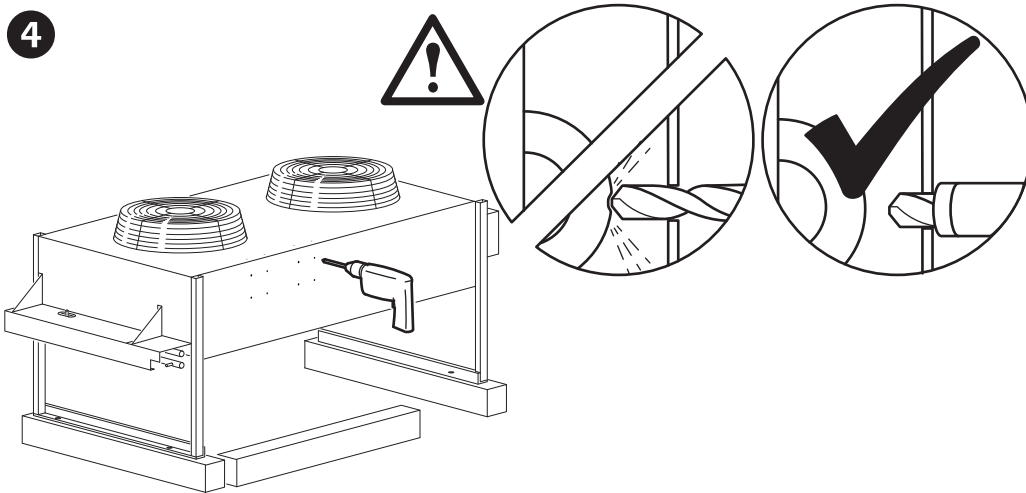
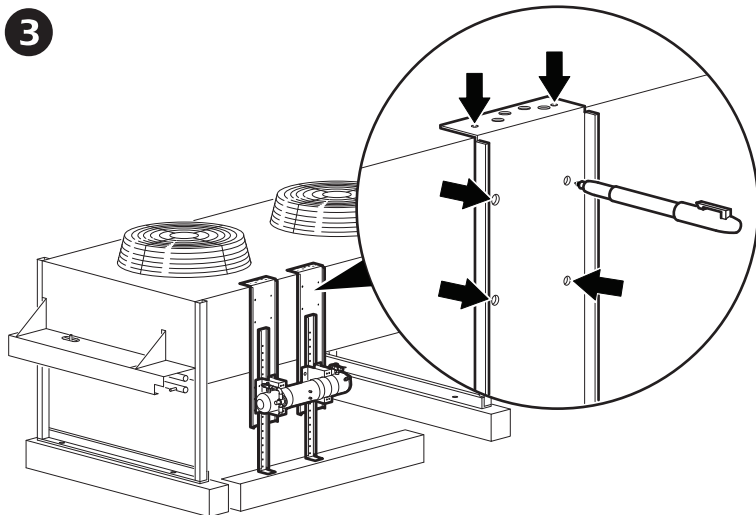
T30



5 mm \varnothing

Installation





Customer support and warranty information is available at the Schneider Electric Web site, www.schneider-electric.com.

As standards, specifications, and designs change from time to time, please ask for confirmation of the information given in this publication.
All trademarks owned by Schneider Electric Industries SAS or its affiliated companies.

990-3083A
9/2014