

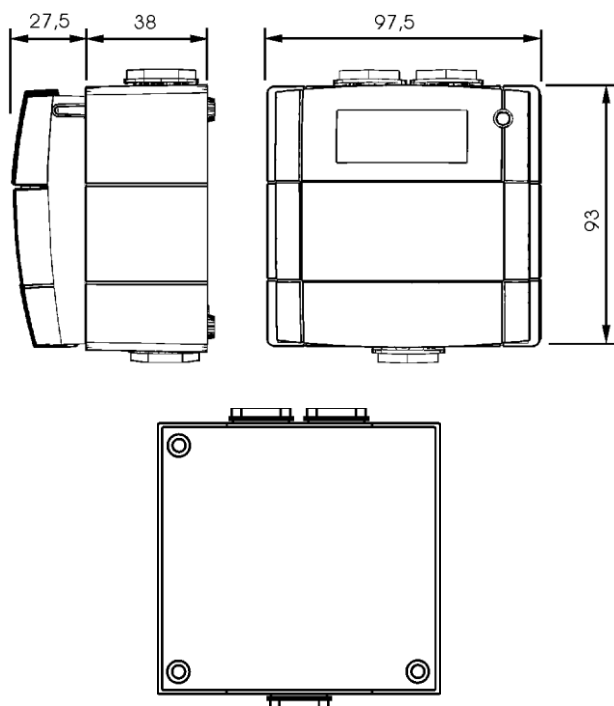
Waterproof Conventional Manual Call Point WCP1A

The outdoor WCP is an IP67 sealed manual call point product. The enhanced environmental protection allows the unit to be installed in many external environments where water and dirt are likely to be present, making it a true waterproof and outdoor product.

The WCP1A utilise a special terminal block, where all initial installation cabling is terminated. This terminal block is then simply connected to the back of the WCP. The WCP1A products are supplied with three standard 20mm knock outs for cable entries, accommodating all types of surface wiring installations.



Dimensions



Technical data

Dimensions (W x H x D)	97,5 x 93 x 65,5 mm
Weight	240 g
Colour	Red, RAL 3001
Operating Temperature	-10... +70°C
Operating Voltage	15...30 VDC
Max. Current	2 A
Connectors	0,5 ... 2,5mm ² cable
IP Rating	IP 67
Material	(PC/ABS)
Tested	EN54-11

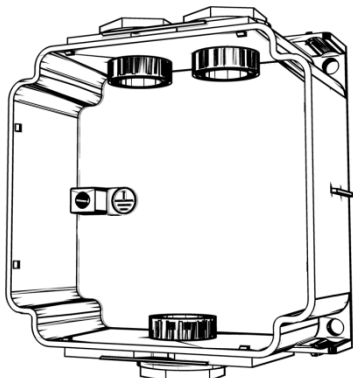
Product Codes

Product	Product Code	Description
WCP1A-R470SF-E010-01	FFS06424141E	EN, flex element, Esmi brand
WCP1A-R470SF-E010-02	FFS06424141P	EN, flex element, Pelco brand
WCP1A-R470SF-E010-03	FFS06424141	EN, flex element, not branded

Schneider Electric reserves the right to modifications.

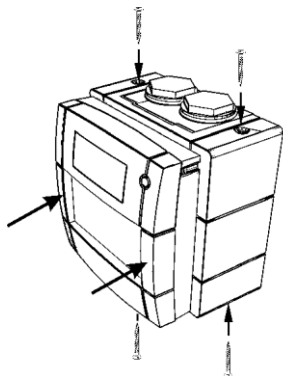
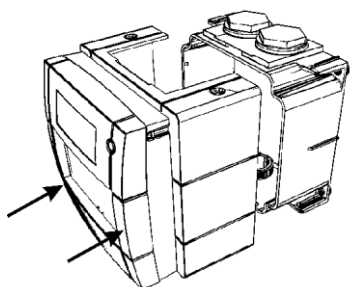
Wall mounting of back box

Mounting the back box to a suitably flat surface using the three fixing holes and the screws provided in the installation pack. The cable entry holes should be in the vertical plane. The back box can be mounted with either the single or the double entry holes at the top.



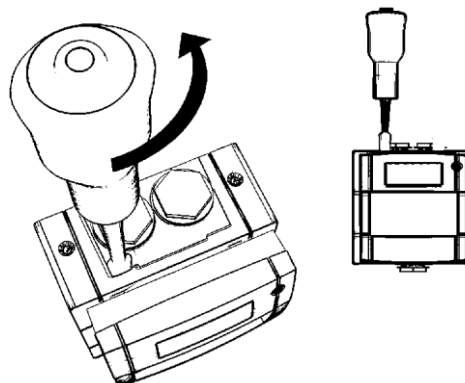
Fitting the WCP cover to the back box

Plug the 4 way terminal connector onto the appropriate position as shown. Ensure that the O-ring is correctly seated in the channel on the rear of the cover. Place the cover squarely over the back box and carefully push the cover until the locating clips have engaged. Do not use excessive force. It is recommended that the 4 fixing screws are used to lock the cover into place.



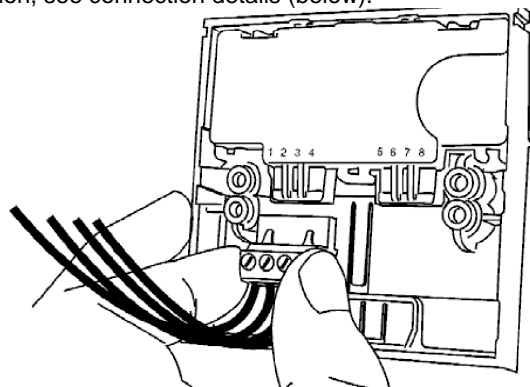
WCP cover removal

To remove the cover, undo and remove the 4 cover fixing screws. Place the edge of a large flat bladed screwdriver into the slot between the cover and back box as shown in below and gently twist until the latches are disengaged. Pull cover away from the back box.

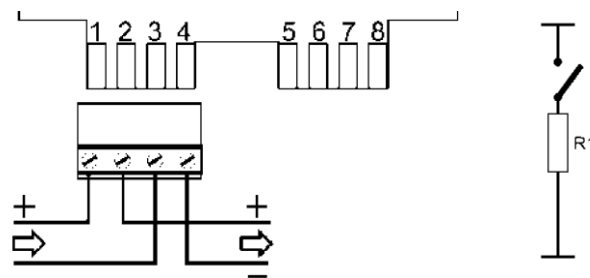


Electrical installation

After wiring the terminal connector, plug into appropriate position, see connection details (below).



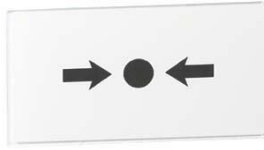
Electrical connections



R1 = 470Ω

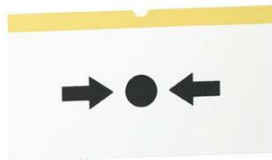
Call point accessories

REPLACEMENT GLASS ELEMENT – KG1EN



Material	Plastic covered glass
Resetting function	Glass must be replaced
Product Code	FFS06424900EN
Glass elements in package	5 pcs

REPLACEMENT FLEXIBLE ELEMENT – PS210



Material	Plastic
Resetting function	Test & Re-set facility
Product Code	FFS06424920
Elements in package	10 pcs

MANUAL CALL POINT COVER – PS200

Transparent hinged cover for call point.



Cover dimensions	90 x 104 mm
Weight	35 g
Product Code	FFS06424502

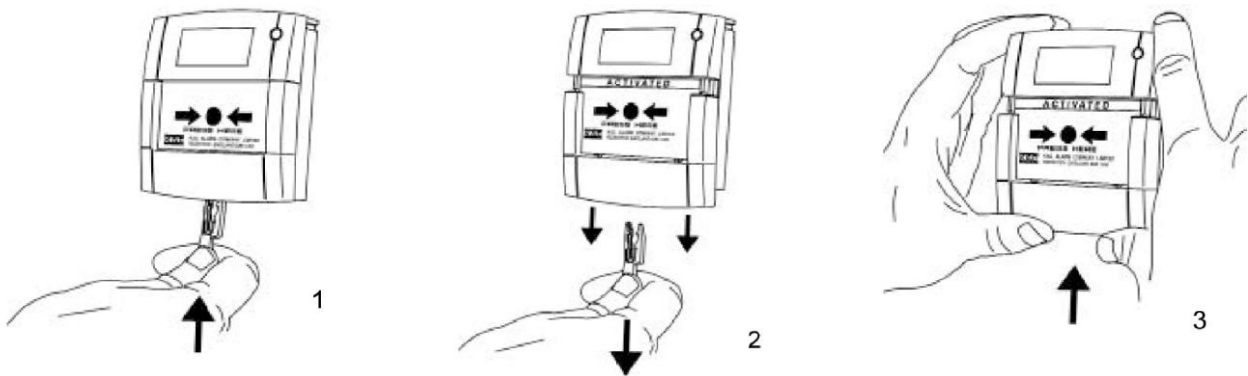
SPARE TEST KEYS – SC070



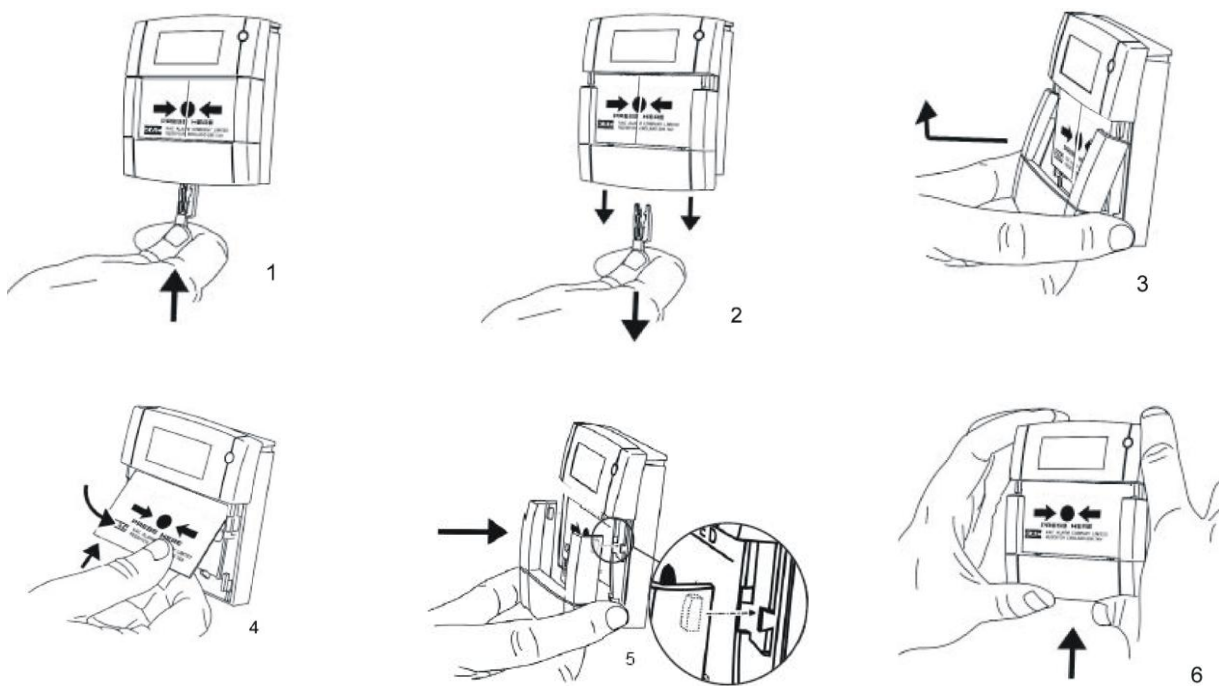
For testing and resetting manual call points	
Product Code	FFS06424510
Test keys in package	10 pcs

Test, element replacement and reset of the call point

To test



To replace glass



To reset/resettable element

