

CONVENTIA MOUNTING BASES

The Conventia products are compatible with the FX-CLC loop interface.

Conventia Mounting Base EBC-10 and EBC-11



Conventia mounting base has been designed to make installation fast and simple. The E-Z fit fixing holes are shaped to allow a simple three-step mounting procedure:

- Fit two screws to the mounting box or surface
- Place the base over the screws and slide home
- Tighten the screws

The base offers two fixing centres at 51 and 60mm. A guide on the base interior indicates the length of cable to be stripped. Five terminals are provided for the cables, four being grouped together for ease of termination.

The terminal screws are captive screws and will not fall out of the terminals. The base is supplied with the screws unscrewed in order to avoid unnecessary work for the installer.

The end-of-line resistor or active device should be connected between the OUT+ and COM– terminals.

If it is required that all detectors be fitted with their LEDs facing the same direction the bases must be fitted to the ceiling observing the marking on the exterior which indicates the position of the LED.

Remote LEDs can be connected to bases, if required.

Relay Base EBC-20



The relay base incorporates a single-pole voltage-free changeover contact for switching ancillary equipment. The maximum contact rating is 30V 1A.

When the detector changes to the alarm state, the relay is energised, causing the contact to change state. The contact will remain in this condition until the detector is reset.

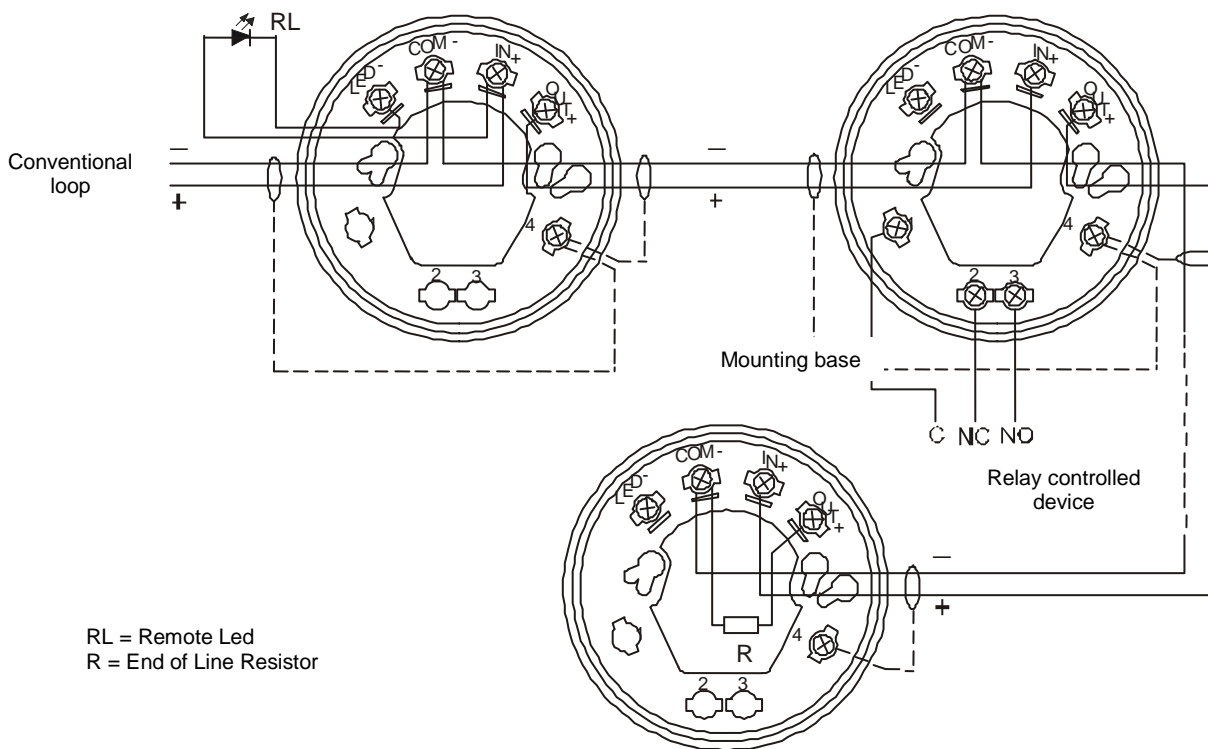
Technical data

| Base | EBC-10 | EBC-11 | EBC-20 |
|--------------------------------|---|--------------------|--------------|
| Description | Standard mounting base | Deep mounting base | Relay base |
| Operating voltage | 8.5 – 33 VDC | 8.5 – 33 VDC | 8.5 – 33 VDC |
| Current consumption | N/A | N/A | N/A |
| Contact rating at 30V AC or DC | N/C | N/C | 1 A |
| IP rating | IP20 | IP20 | IP20 |
| Operating temperature | -40°C | -40°C | 70°C |
| Storage temperature | -40°C | -40°C | 70°C |
| Humidity (no condensation) | 0-98% | 0-98% | 0-98% |
| Dimensions (□ x h) | 100 x 8 mm | 100 x 24 | 100 x 8 mm |
| Weight | 60 | 65 | 60 |
| Product codes | 0672 4010 | 0672 4011 | 0672 4020 |
| Detectors | Optical smoke sensor EDC-20, 0672 4620 Multisensor EDC-30, 0672 4621 Heat detector EDC-50/A1R, 0672 4650 Heat detector EDC-50/A2S, 0672 4652 Heat detector EDC-50/BR, 0672 4640 Heat detector EDC-50/BS, 0672 4641 Heat detector EDC-50/CR, 0672 4646 Heat detector EDC-50/CS, 0672 4647 | | |

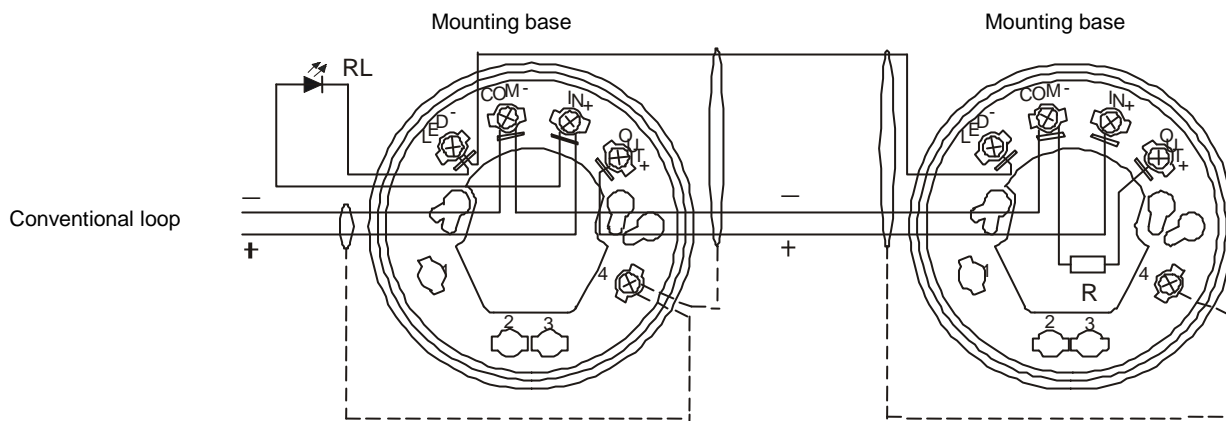
Pelco reserves the right to modifications.

Schematic Diagram & Wiring Connections

2 mounting bases and a relay base



2 mounting bases wired with a common LED



Terminals

| Mounting base | |
|---------------|--|
| LED- | Remote Led - |
| Com- | Loop in- Loop out - End of Line Resistor |
| IN+ | Loop in + |
| OUT+ | Loop out + |
| 1 | Not Used |
| 2 | Not Used |
| 3 | Not Used |
| 4 | Functional earth (screen) |

| Relay base | |
|------------|--|
| LED- | Remote Led - |
| Com- | Loop in- Loop out - End of Line Resistor |
| IN+ | Loop in + |
| OUT+ | Loop out + |
| 1 | Relay output Common |
| 2 | Relay output NC (normally closed) |
| 3 | Relay output NO (normally open) |
| 4 | Functional earth (screen) |