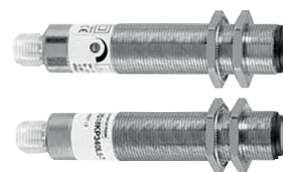


# Safety Light curtains - XU2S

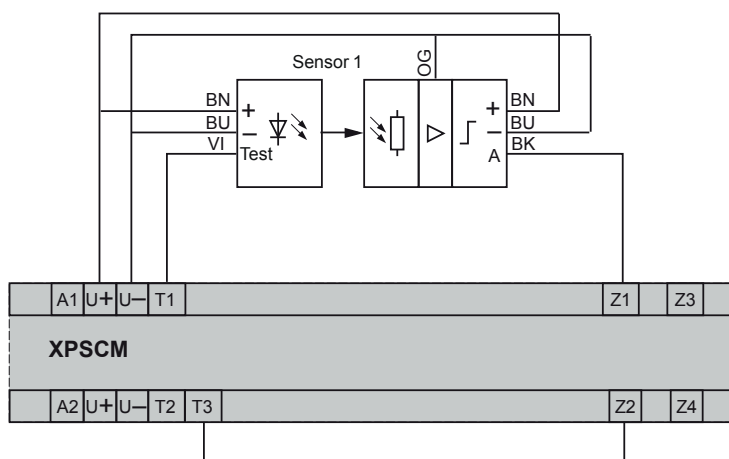


## Connection Schematics

XPSCM safety modules used in conjunction with XU2S single-beam photo-electric sensors establish a category 2 light curtain. The connection of 1 to 4 pairs of XU2S makes it possible to create a protected zone up to 1200 mm high and 8 m long.

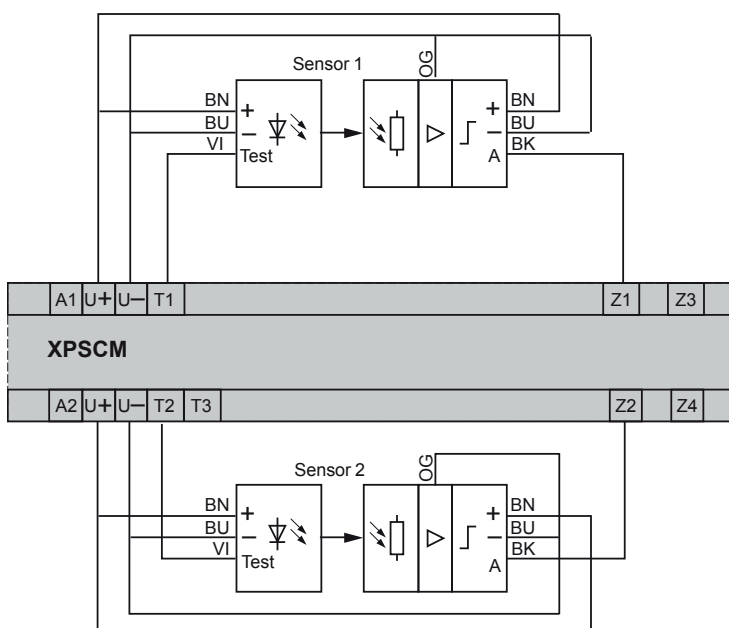
### Connecting to a module XPSCM1144.

With 1 pair of XU2S sensors (dark switching)



**BN** : Brown  
**BU** : Blue  
**VI** : Violet  
**BK** : Black  
**OG** : Orange

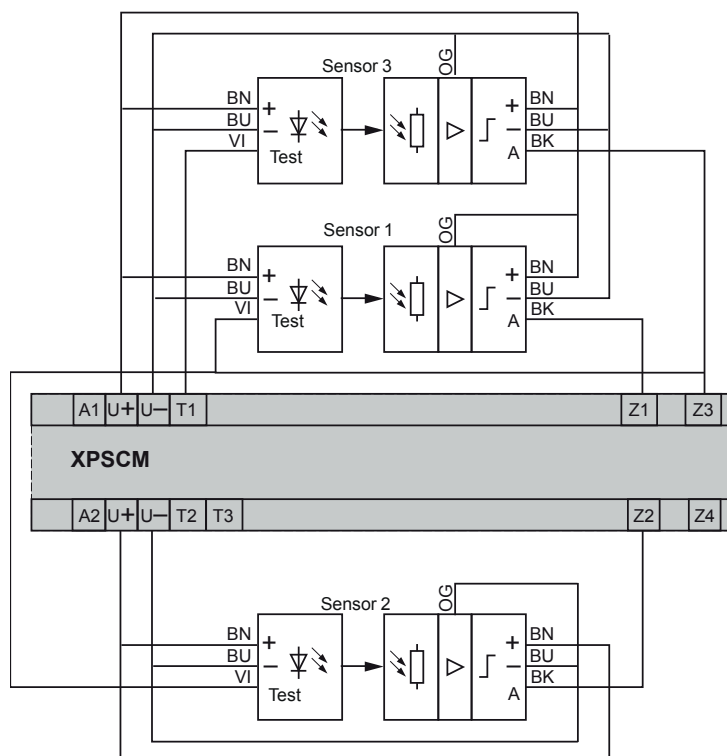
With 2 pairs of XU2S sensors (dark switching)



**BN** : Brown  
**BU** : Blue  
**VI** : Violet  
**BK** : Black  
**OG** : Orange

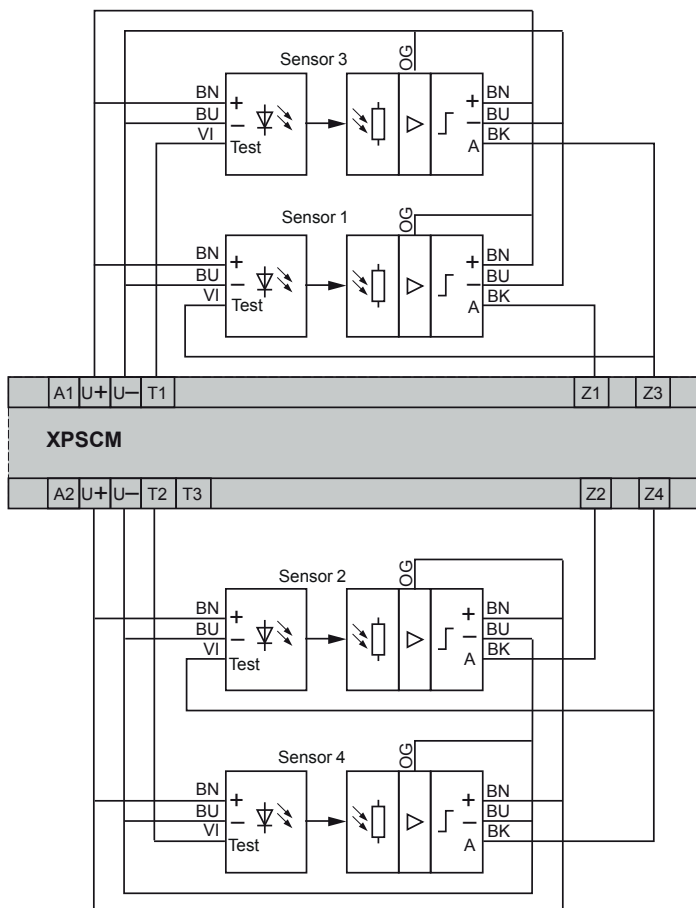
## Connecting to a module XPSCM

With 3 pairs of XU2S single-beam sensors (2 for dark switching, 1 for light switching)



**BN** : Brown  
**BU** : Blue  
**VI** : Violet  
**BK** : Black  
**OG** : Orange

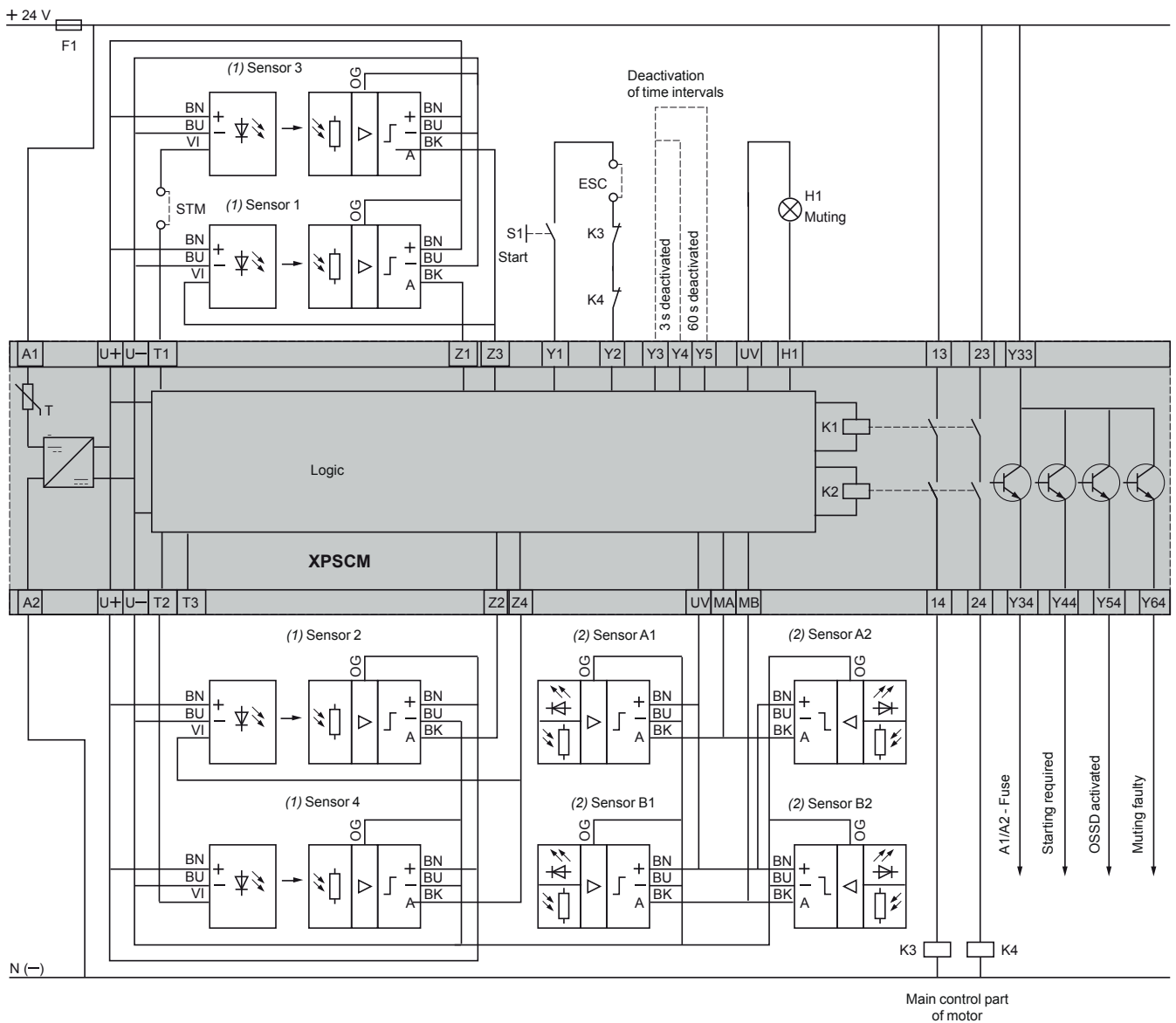
With 4 pairs of XU2S single-beam sensors (2 for dark switching, 2 for light switching)



**BN** : Brown  
**BU** : Blue  
**VI** : Violet  
**BK** : Black  
**OG** : Orange

## Connecting to a module XPSCM1144.

With 4 pairs of XU2S single-beam sensors with muting sensors



- BN** : Brown
- BU** : Blue
- VI** : Violet
- BK** : Black
- OG** : Orange
- ESC** : External start conditions
- Y1-Y2** : Feedback loop
- STM** : Stopping time measurement
- (1)** : Protection field sensors
- (2)** : Muting sensors

XU2S sensors can be programmed for light switching or dark switching (for example : dark switching with sensors 1 and 3 and light switching with sensors 2 and 4).