



SQUARE D®

Instruction Sheet
30072-303-60
DECEMBER 1982

**CLASS 9999, TYPE R45 AND R46, SERIES A
ELECTRICAL INTERLOCKS**

For use with Square D Class 9422 Types TC-1, TC-2, TC-3 30 Amp
Disconnect Switches and Class 8538 Type SB, SC Series "C" combination starters

DANGER: Hazard of electrical shock or burn. Turn off power supplying this equipment before installing.

INSTALLATION:

1. Place disconnect switch in OFF position.
2. Locate top of disconnect switch operating mechanism. See Figure 1. Note Slot.
3. Locate protrusion on top of interlock. See Figure 2.
4. Insert interlock protrusion into operating mechanism slot and fasten with screw. See Figure 3.

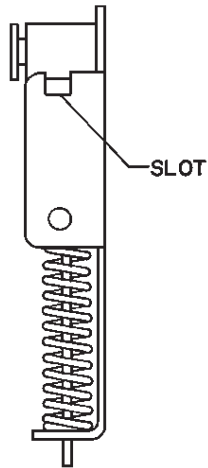


Figure 1

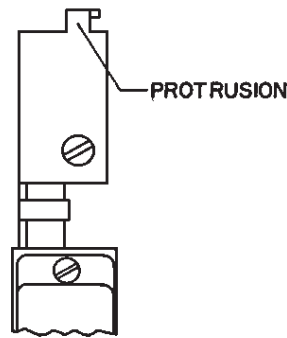


Figure 2

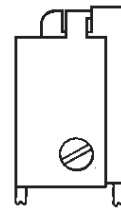
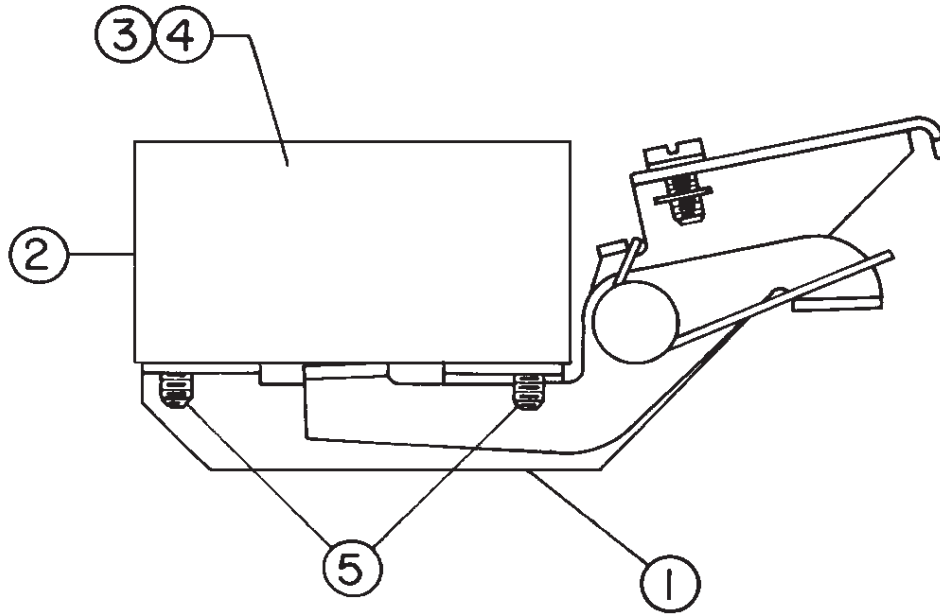


Figure 3

SNAP SWITCH CONTACT OPERATION

Type	Class 9007 Snap Switch Type	Position of Disc. Sw.	Snap Switch Contacts					
			A	B	1A	2A	1B	2B
R45	A01	Open	Open	Closed	—	—	—	—
		Closed	Closed	Open	—	—	—	—
R46	C03	Open	—	—	Open	Open	Closed	Closed
		Closed	—	—	Closed	Closed	Open	Open



REPLACEMENT PARTS LIST

Item	Description	Part Number	Quantity	
			R45	R46
1	Interlock Mounting Assy.	40512-678-50	1	1
2	Liner	31301-019-01	1	1
3	Snap Switch	9007 A01	1	
4	Snap Switch	9007 C03		1
5	Screw #8-32 x 11/16	21903-14220	2	2

SNAP SWITCH RATINGS

Snaps Switch Class 9007 Type	AC – 50 or 60 Hz							DC			
	Volts	Inductive 35% Power Factor				Con- tinuous Carrying Amperes	Resistive 75% Power Factor: Make, Break and Continuous Carrying Amperes	Volts	Inductive and Resistive		
		Make		Break					Make and Break Amperes		Con- tinuous Carrying Amperes
		Amps	VA	Amps	VA				Single Throw	Double Throw	
AO-1	120	40	—	15	—	15	115	0.5	0.25	15	
	240	20	—	10	—	15	230	0.25	0.1	15	
	480	10	—	6	—	15	600	0.05	—	15	
	600	8	—	5	—	15					
CO-3	115	30	3450	3	345	10	115	1.0	0.2	10	
	230	15	3450	1.5	345	10	230	0.3	0.1	10	
	460	7.5	3450	0.75	345	10	600	0.1	—	10	
	575	6	3450	0.6	345	10					