

Residential Wall Switch Vacancy Sensor

The Schneider Electric Residential Wall Switch Vacancy Sensor directly replaces standard light switches in bathrooms, garages, laundry rooms and utility rooms in accordance with Title 24 2005 requirements for residential lighting (Sections 119(d) and 150(k)).

The Vacancy Sensor operates just like a standard light switch, requiring a button press to turn lights on. Lights may be turned off with a button press or the sensor will turn off lighting automatically when the area is unoccupied. Employing passive infrared (PIR) technology, the sensor reliably detects when the area has been vacated then turns off the lighting automatically after a fixed time delay of 30 minutes.

The Vacancy Sensor features a 'grace period'. If the sensor should happen to turn off lighting while the area is occupied, the sensor will monitor the area, and turn lighting back on automatically if motion is detected within 30 seconds of the initial shutoff. Great for retrofits, the Vacancy Sensor fits in existing wall boxes using existing wiring and requires no adjustment.

> Features

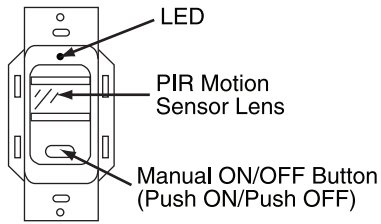
- No user time delay and sensitivity adjustments necessary
- Available in white, ivory, and light almond
- Furnished with cover plate
- Manual On/Manual Off or Automatic Off operation
- No neutral or minimum load required
- Rated for both 120V incandescent and fluorescent lighting
- Title 24 2005 Residential Lighting requirements, Sec. 150(k)
- No override on
- Manual-on only (no auto-on mode)
- 30 minute time delay
- 180° motion detection up to 300 sq. ft. (minor motion)
- 30 second grace period



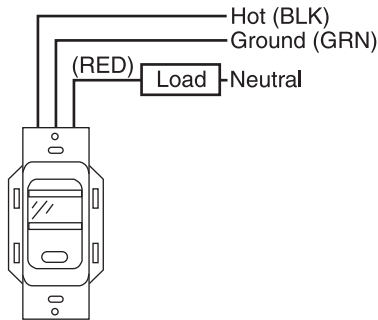
★ Visit www.schneider-electric.us

Make the most of your energy SM

Vacancy Sensor Features



Vacancy Sensor Wiring Diagram



> Specifications

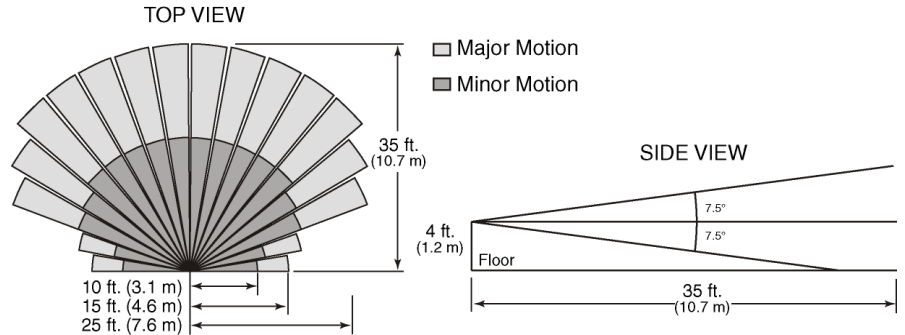
Wall Switch Vacancy Sensor

Input	120 VAC +/- 10% 60 Hz
Output	120 VAC <ul style="list-style-type: none"> • 1000 W max. incandescent load • 1000 VA max. ballast load • 1/4 hp max. motor load
Operating Environment	32 - 122°F (0 - 50°C)
Humidity	0 - 90% max. relative humidity non-condensing
Standards	UL® and cUL Listed FCC Part 15, Home and Office Use (Class B) Title 24 Certified

> Order Information

Description	Catalog Number
White	SLSPWS120VW
Ivory	SLSPWS120VI
Light Almond	SLSPWS120VL

PIR Wall Switch Coverage Pattern



Schneider Electric USA, Inc.
 320 Tech Park Drive, Suite 100
 La Vergne, TN, 37086
 1-888-778-2733
 www.schneider-electric.us

Schneider Electric and logo and "Make the most of your energy" are trademarks or registered trademarks of Schneider Electric and/or its affiliates in the United States and/or other countries. Other trademarks used herein are the property of their respective owners.