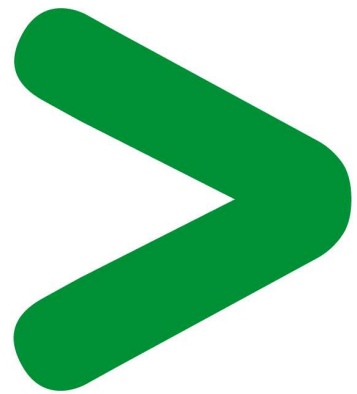


# Product End-of-Life Instructions

## **MINERA**

*Mineral Oil filled Distribution Transformer (ODT)*



# Product End-of-Life Instructions – EoLI

## Product overview

**Product Range:** Minera – Up to and including 3150kVA power rating and 36kV maximum operating voltage

**Size:** H x L x D in mm (min.) = 800 x 600 x 1000  
H x L x D in mm (max.) = 3500 x 3000 x 3500

**Weight:** in kg= between 400~8000

## Purpose

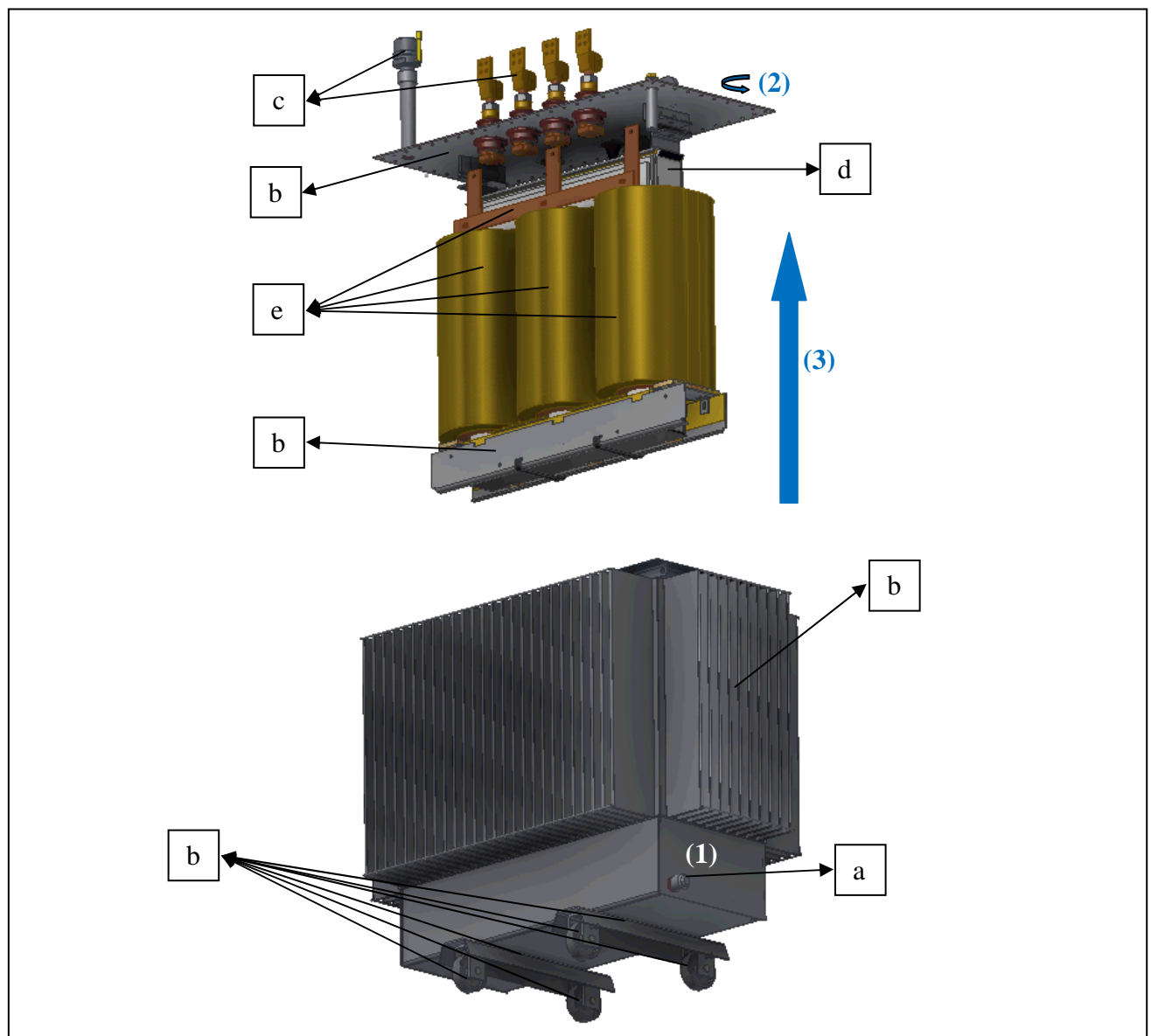
The product family must be disposed according to the legislation of the country. This document is intended for use by end of life recyclers or treatment facilities. It provides the basic information to assure an appropriate end of life treatment for the components and materials of the product.

## Operations recommended for the end of life treatment

There are several steps to process the products at the end of life so as to recover components, materials or energy :

Reuse → Separation for special treatment → Other dismantling → Shredding

The components of the products that optimize the recycling performances are listed, identified and located hereunder.



## Product End-of-Life Instructions – EoLI

Recommendation	Number on drawing	Components	Weight (in kg)	Comment
<b>Dismantling</b>	(1)	-	-	<b>Open oil draining valve</b>
	(2)	-	-	<b>Unscrew the cover</b>
	(3)	-	-	<b>Lift the active part</b>
	a	<b>Dielectric fluid</b>	<b>150~2000</b>	<b>Mineral oil</b>
	b	<b>Steel parts</b>	<b>150~2000</b>	<b>Tank, cover, clampings, rollers</b>
	c	<b>Accessories</b>	<b>0.5~10</b>	<b>Bushings, protection &amp; measuring devices</b>
	d	<b>Core</b>	<b>200~2500</b>	<b>Magnetic steel</b>
	e	<b>Conductors</b>	<b>50~1000</b>	<b>Copper or Aluminium</b>

Mineral oil (a) is the most impacting component on environmental pollution and end of life process should be managed carefully. Long duration skin contact and breathing should be avoided. During draining process, necessary precautions must be taken to prevent oil leaking to the ambient and drained oil must be preserved in appropriate containers.

Conductor (e) may contain paper insulation material which can be harmful to the environmental because of its mineral oil absorption. This paper insulation should be managed as un-recyclable material as similar as mineral oil. During dismantling of conductors, same attention than oil draining must be paid and long duration skin contact and breathing should also be avoided.

---

EoLI achieved with Schneider-Electric TT03 V5 procedure

---

### Schneider Electric Industries SAS

35, rue Joseph Monier  
 CS 30323  
 F- 92506 Rueil Malmaison Cedex  
 RCS Nanterre 954 503 439  
 Capital social 896 313 776 €

[www.schneider-electric.com](http://www.schneider-electric.com)