

Product End-of-Life Instructions

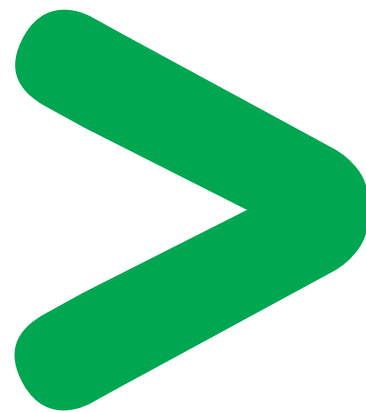
Lexium Integrated Drive ILA

Product Range

Lexium ILA 3.6A to 7A

Marketing Model

ILA Range



Size in mm:
H x L x D : 66 x 110 x 184

Weight in kg:
1.758



Schneider
Electric

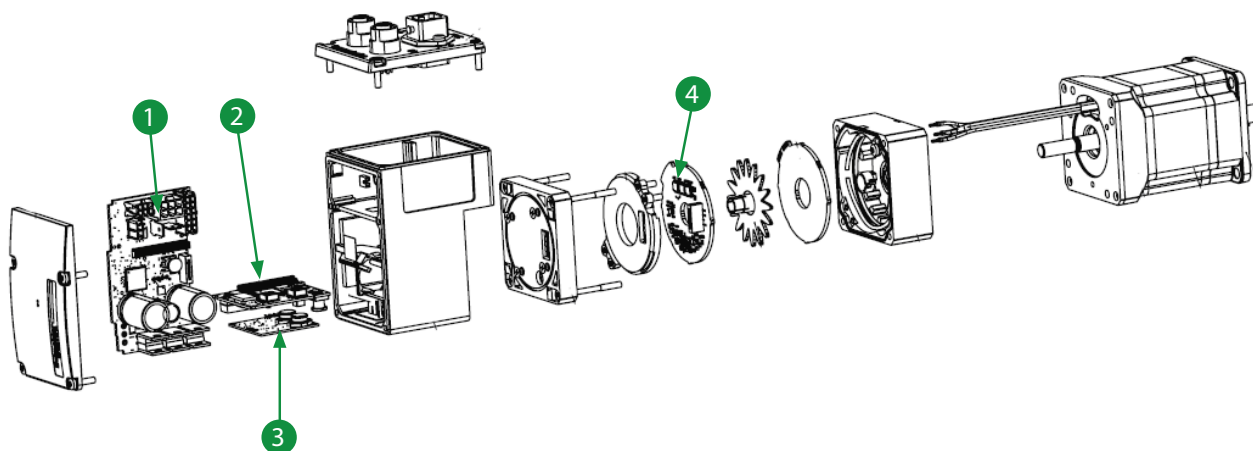
Operations recommended for the end of life treatment

There are several steps to process the products at the end of life so as to recover components, materials or energy :

Reuse ⇒ Separation for special treatment ⇒ Other dismantling ⇒ Shredding

The components of the products that optimize the recycling performances are listed, identified and located hereunder.

This ILA motor contains electrolytic capacitors which may cause electrical shock during the end of life treatment process. **BEFORE SERVICING, REMOVE ALL POWER and WAIT 15 MINUTES.**



Recommendation	Number on drawin	Components	Weight (g)	Comment
Depollution	1	PCBA	63,50	
	2	PCBA	12,40	
	3	PCBA	6,90	
	4	PCBA	11,75	

Schneider Electric Industries SAS
35, rue Joseph Monier
CS30323
F - 92506 Rueil Malmaison Cedex

RCS Nanterre 954 503 439
Capital social 896 313 776 €
www.schneider-electric.com

The version of the Guide used to create the document: End of Life Instruction Drafting Guide of Schneider Electric version V5.

Publication : Schneider Electric