

Product End-of-Life Instructions

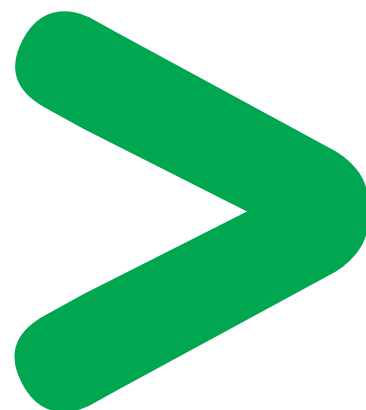
ALTIVAR 31 0.18-15 kW

Product Range

ALTIVAR 31 0.18-15 kW

Marketing Model

ATV31H075M2 and all models of Product Family: ALTIVAR 31 0.18 - 15kW



Size (mm):

W x H x D: 72 x 145 x 140

Weight in kg (or g):

1090 g



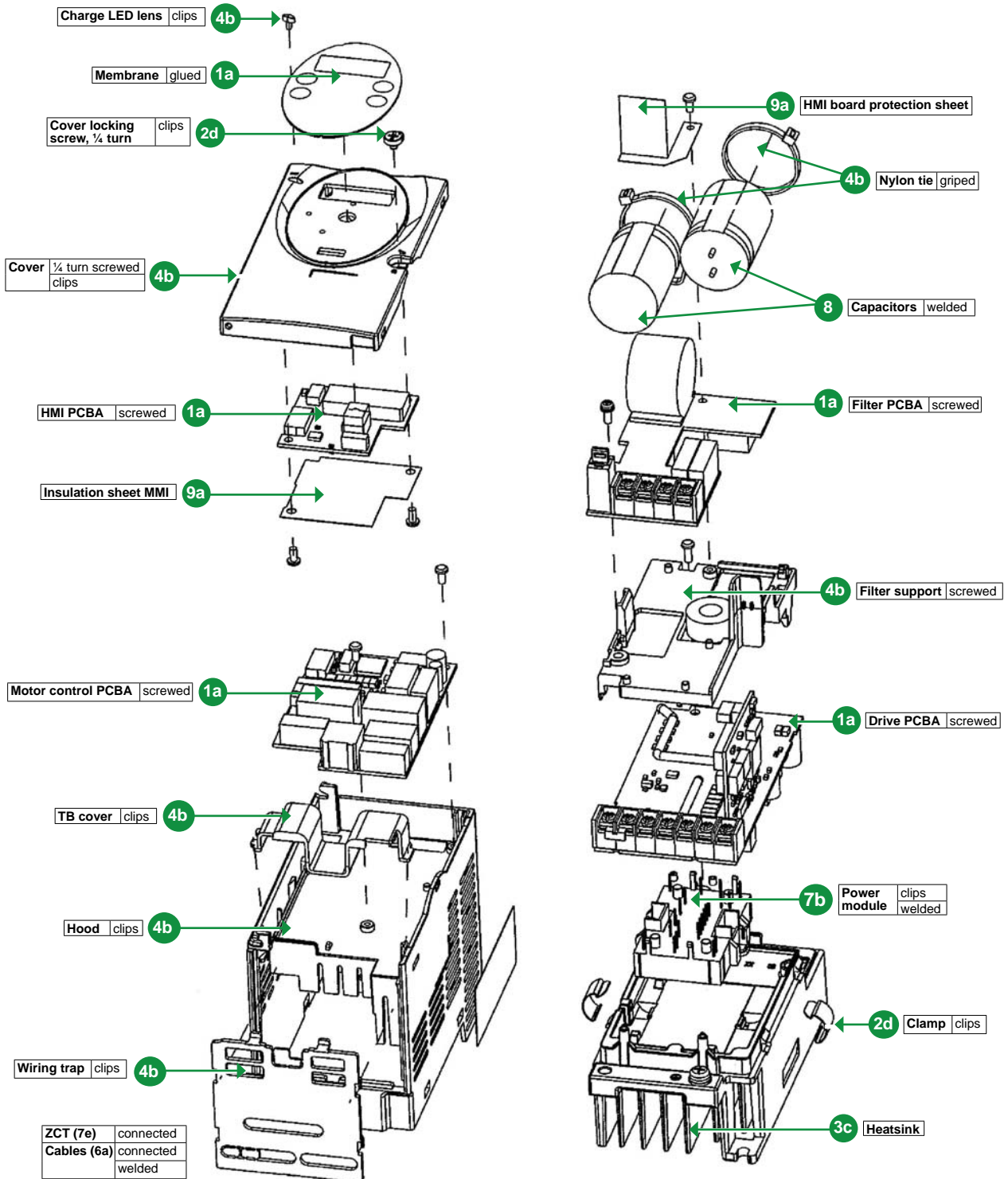
Operations recommended for the end of life treatment

There are several steps to process the products at the end of life so as to recover components, materials or energy :

Reuse ⇒ Depollution ⇒ Dismantling ⇒ Shredding

The components of the products that are recommended to be depolluted (according to the WEEE 2002/96/EC list) or that are recommended to be re-used or dismantled so as to improve the material recovery or that lead to some hazards are listed, identified and located hereunder.

This ATV31 contains electrolytic capacitors which may cause electrical shock during the end of life treatment process. **BEFORE SERVICING, REMOVE ALL POWER, WAIT 15 MINUTES.**



Ref.	End of life groups of components	%	Representative product weights (g)	Comments
1	PCBA	26,9	293,13	
1a	Heavy PCBA (power)	20	(218,54)	To be removed following WEEE directive
1b	Light PCBA (Com)	6,9	(74,59)	To be removed following WEEE directive
2	Ferrous	0,8	9,08	
2a	Electroplated coated sheet metal	0	(-)	
2b	Hot dip coated sheet metal	0	(-)	
2c	Painted sheet metal	0	(-)	
2d	Steel and its alloys	0,8	(9,08)	
3	Non-ferrous	41,7	454,20	
3a	Copper and its alloys	0	(-)	
3b	Brass and its alloys	0	(-)	
3c	Aluminium and its alloys	41,7	(454,20)	
4	Plastics	14,1	153,60	
4a	Plastics with brominated FR	0	(-)	To be removed following WEEE directive
4b	Plastics without brominated FR	14,1	(153,60)	
5	Coils (Copper or aluminium)	0	-	
6	Wire cables	1,9	20,60	
6a	Copper conductor cables	1,9	(20,60)	
6b	Aluminium conductor cables	0	(-)	
7	Complex parts	3,9	43,11	
7a	Fans	0	(-)	
7b	Power modules (IGBT)	3,1	(34,01)	
7c	Terminal blocks	0	(-)	
7d	Circuit breakers	0	(-)	
7e	Others (ZCT, Keypad, ...)	0,8	(9,10)	
8	Capacitors (PCB free)	10,4	113,24	To be removed following WEEE directive
9	Other	0,3	3,04	
9a	Insulation sheets	0,3	(3,04)	
9b	Ferrites	0	(-)	
TOTAL		100%	1090 g	

Schneider Electric Industries SAS

35, rue Joseph Monier
CS30323
F - 92506 Rueil Malmaison Cedex

RCS Nanterre 954 503 439
Capital social 896 313 776 €
www.schneider-electric.com

The version of the Guide used to create the document: End of Life Instruction Drafting Guide of Schneider Electric version V1.

Publication : Schneider Electric