

Product End-of-Life Instructions

ALTIVAR PROCESS / MACHINES

Product Range

Altivar Process – Ranges: 15 to 22 kW – 3PH – 200/240 V – IP21 / 30 to 45 kW – 3PH – 400/480V – IP21

Marketing Model

ATV630D45N4, ATV630D30N4, ATV630D37N4, ATV630D15M3, ATV630D18M3, ATV630D22M3
ATV930D15M3, ATV930D18M3, ATV930D22M3, ATV930D30N4, ATV930D37N4, ATV930D45N4
ATV340D30N4E, ATV340D37N4E



Size in mm:

W x H x D : 260 x 675 x 280

Weight in g:

From 27300 to 28600 for the product range.

Weight is 28600 for ATV630D45N4 including packaging and batteries (weight of the battery is 3)



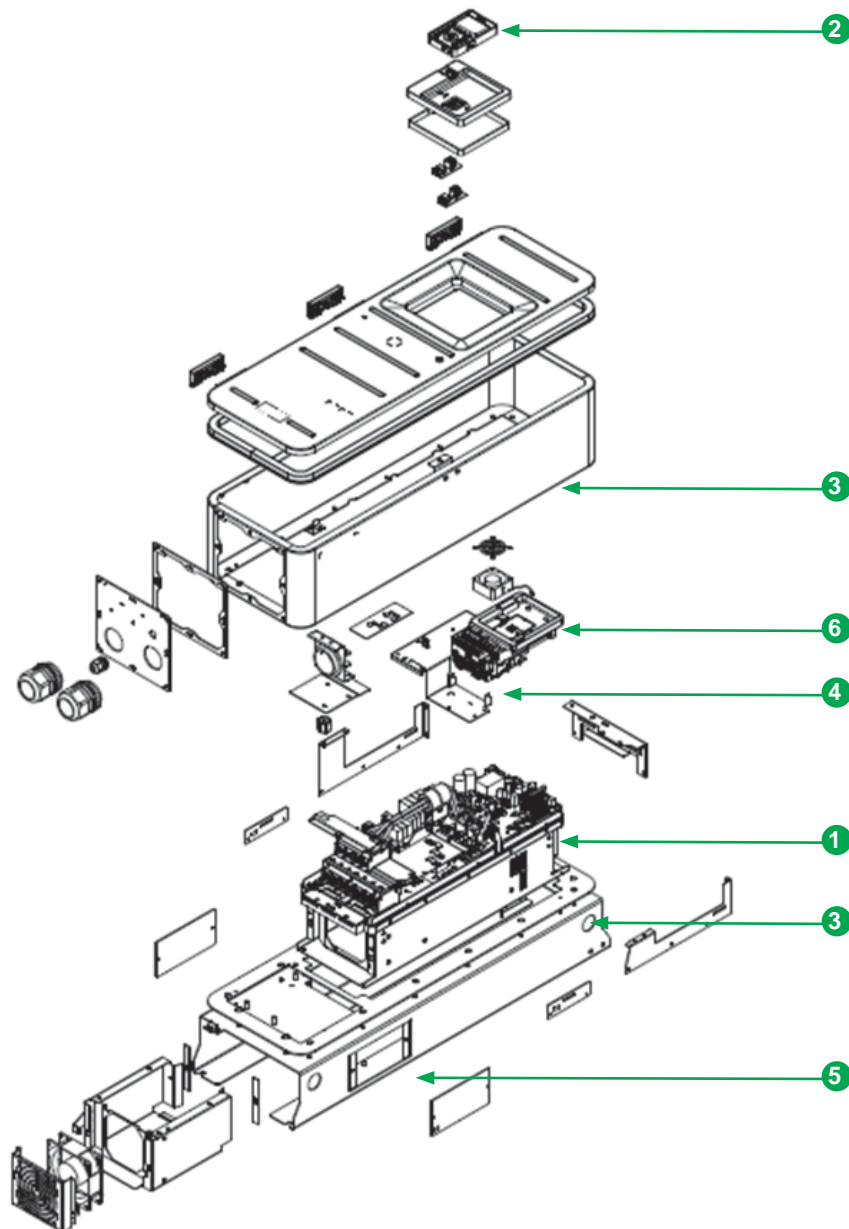
Operations recommended for the end of life treatment

There are several steps to process the products at the end of life so as to recover components, materials or energy :

Reuse ⇒ Separation for special treatment ⇒ Other Dismantling ⇒ Shredding

This product contains electrolytic capacitors which may cause electrical shock during the end of life treatment process. BEFORE SERVICING, REMOVE ALL POWER, WAIT 15 MINUTES.

The components of the products that optimize the recycling performances are listed, identified and located hereunder.



Note:



| Recommendation | Number on drawing | Components | Weight (g) | Comment |
|-------------------|-------------------|---|------------|--|
| Operating hazards | 6 | Electrolytic capacitors | 303 | DC Choke |
| Special treatment | 1 | Printed Circuit Board Assembly (PCBA) or power components | 151 | PCBAs are included |
| | 2 | Manganese Dioxide Lithium Coin Battery | 3 | The battery is located inside the Keypad |
| Other dismantling | 3 | Plastic part | 1601 | PC FR, Housing, Chassis |
| | 4 | Aluminium | 5189 | Heatsink |
| | 5 | Steel | 8551 | - |

Schneider Electric Industries SAS

35, rue Joseph Monier
CS30323
F - 92506 Rueil Malmaison Cedex

RCS Nanterre 954 503 439
Capital social 896 313 776 €
www.schneider-electric.com

The version of the Guide used to create the document: End of Life Instruction Drafting Guide of Schneider Electric version V6.

Publication : Schneider Electric