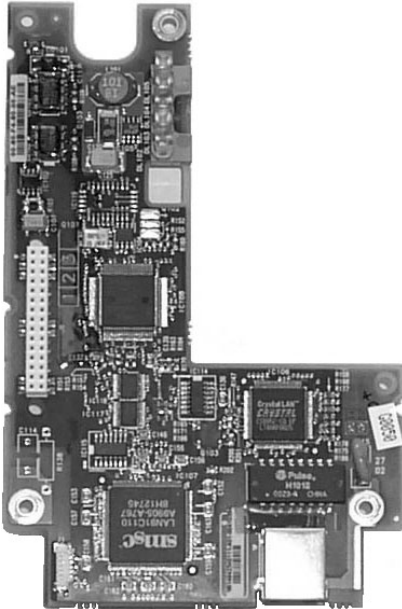


Data Bulletin

Replaces 8806DB0101 dated 06/2001

Altivar[®] 58 TRX Option Ethernet Modbus[®] TCP/IP Communication Card, VW3A58310U and V2.1IE21

INTRODUCTION



The ALTIVAR 58 TRX (ATV58 TRX) family of adjustable-speed AC drive controllers for three-phase asynchronous motors is the first truly universal range of drive controllers. Only the ATV58 TRX controller offers a combination of small size, outstanding performance, and modern communication capabilities coupled with a wide range of standard and optional features. For a complete description of the available options and enclosure types, refer to the ATV58 AC Drives catalog, 8806CT9901. This catalog and the documents named in this data bulletin are available from the Technical Library at www.us.SquareD.com or from your local field office.

Description

The VW3A58310U Ethernet Modbus TCP/IP communication option provides the entire ATV58 TRX line of controllers with a direct connection to an Ethernet-based network. This communication network offers a flexible, cost-effective solution for communicating drive information to various layers of an integrated manufacturing facility. Embedded Web pages on the option card allow access to real-time information on the drive controller system from anywhere around the globe using a standard Web browser.

Kit Contents

- Option card with integral RJ45 Ethernet receptacle
- Mounting hardware
- *Altivar 58 Ethernet Modbus TCP/IP Communication Option VW3A58310U*, instruction bulletin VVDED300053US
- *ATV58 Register Access Guide for Communication Networks*, instruction bulletin VVDED397058US

FEATURES

The ATV58 controller option card can receive and respond to Ethernet messages. This data exchange—which uses Modbus TCP/IP protocol—gives the network access to ATV58 TRX functions such as:

- Viewing and modifying adjustment parameters
- Writing and reading command and control registers
- Monitoring process variables
- Viewing drive identification information
- Diagnostics and fault status

The option card mounts on any ATV58 TRX drive controller without taking up additional panel space.

Embedded Web Pages

The Ethernet communication option card contains the following embedded Web pages:

- Main page
- Index page
- Ethernet Statistics pages
- Altivar Viewer page
- PDA Viewer page
- Control Configuration page for I/O scanning
- Security/Password Assignment page
- Data Editor page for drive parameter modification
- **NEW!** Faulty Device Replacement (FDR) Configuration
- **NEW!** Altivar Chart—two per strip chart recorder

SOFTWARE SET-UP

Each option card contains a unique media access control (MAC) address. To assign an IP address, a sub-network address, and a gateway address to the card, use one of the following:

- Keypad display unit
- PC-based configuration software
- Bootstrap protocol from a PC or programmable logic controller (PLC)
- Other IP address server types, such as PLC FDR server

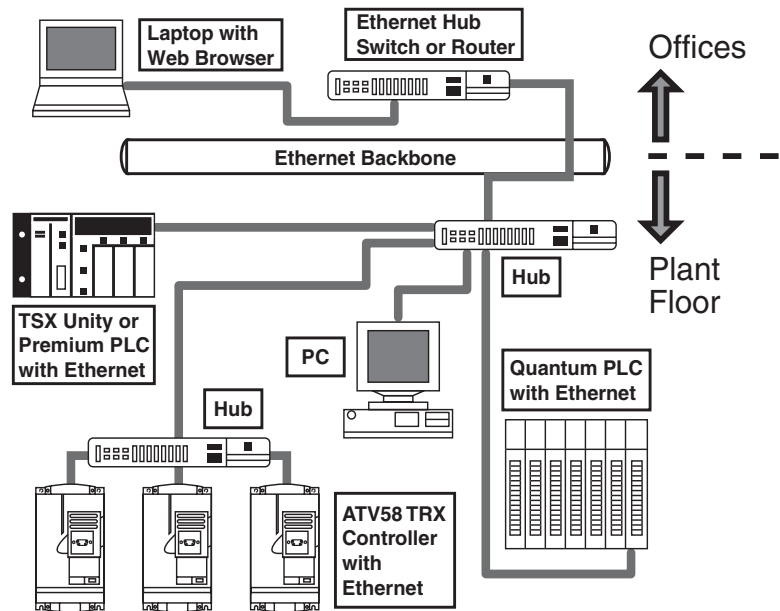
Once programmed, these addresses are stored on the option card.

The Ethernet communication option is designed for use with the Schneider Automation offering of PLCs such as the Quantum, Premium, and Momentum families. For current information about compatible PLCs, contact your local field office.

These PLC Ethernet modules support the I/O scanning function, a feature for successfully commanding the ATV58 TRX drive controller using the Ethernet card. To configure the PLC Ethernet modules, use one of the following Schneider Automation programming software packages:

- PL7 Unity Pro™
- CONCEPT™
- PROWORX NXT®

TRANSPARENT FACTORY® SYSTEM INCLUDING ATV58 TRX CONTROLLERS



Transparent Factory Concept

Schneider Electric USA
8001 Highway 64 East
Knightdale, NC 27545
1-888-SquareD (1-888-778-2733)
www.us.SquareD.com

Electrical equipment should be installed, operated, serviced, and maintained only by qualified personnel. No responsibility is assumed by Schneider Electric for any consequences arising out of the use of this material.

Bulletin No. 8806DB0101R6/04 June 2004