

# Section 3

## Safety Switches



Light Duty



General Duty



Heavy Duty



Stainless Steel Heavy Duty

|                                                              |             |
|--------------------------------------------------------------|-------------|
| <b>EZ Selector - Selection Assistance</b>                    | <b>3-2</b>  |
| Safety Switches EZ Selector - Selection Assistance           | 3-2         |
| Safety Switches EZ Selector - Selection Assistance           | 3-2         |
| <b>Light Duty Safety Switches</b>                            | <b>3-3</b>  |
| Light Duty—Visible Blades 10 kA Short Circuit Current Rating | 3-3         |
| <b>General Duty Safety Switches</b>                          | <b>3-3</b>  |
| General Duty—Up to 100 kA Short Circuit Current Rating       | 3-3         |
| 240 Volt—Single Throw Fusible Switches                       | 3-3         |
| 240 Volt—Single Throw Non-Fusible Switches                   | 3-4         |
| UL Listed Maximum Short Circuit Current Ratings — AC Only    | 3-4         |
| Accessories and Lug Data                                     | 3-5         |
| Field-Installed Fuse Puller Kits                             | 3-5         |
| Field-Installed Electrical Interlock Kits                    | 3-5         |
| Equipment Grounding Kits                                     | 3-5         |
| Field-Installed Lug Kit 400 A – 600 A                        | 3-5         |
| Terminal Lug Data                                            | 3-5         |
| Dimensions for General Duty Safety Switches                  | 3-6         |
| <b>Heavy Duty Safety Switches</b>                            | <b>3-7</b>  |
| 240 Volt—Single Throw Fusible Switches                       | 3-7         |
| 600 Volt—Single Throw Fusible Switches                       | 3-8         |
| 600 Volt—Single Throw Non-Fusible Switches                   | 3-9         |
| UL Listed Maximum Short Circuit Current Ratings—AC only      | 3-10        |
| Special Applications                                         | 3-11        |
| Receptacle Switches                                          | 3-13        |
| Accessories and Special Features                             | 3-14        |
| Dimensions for Heavy Duty Safety Switches                    | 3-20        |
| NEMA Type 1 and 3R                                           | 3-20        |
| NEMA Type 4, 4X, 5, 7, 9, and 12                             | 3-21        |
| <b>Double Throw Safety Switches</b>                          | <b>3-23</b> |
| Fusible and Non-Fusible Overview                             | 3-23        |
| 240 Volt — Double Throw Safety Switches                      | 3-24        |
| 600 Volt — Double Throw Safety Switches                      | 3-25        |
| Accessories and Lug Data                                     | 3-26        |
| Application Data                                             | 3-28        |
| Terminal Lug Data                                            | 3-29        |
| Dimensions for Double Throw Safety Switches                  | 3-30        |
| Series F Devices 30–100 A                                    | 3-30        |
| Series A, E, and T4 Devices                                  | 3-31        |
| <b>Photovoltaic Disconnect Switches</b>                      | <b>3-31</b> |
| 1000 Vdc Photovoltaic Heavy Duty Disconnect Switch           | 3-31        |
| <b>California Proposition 65</b>                             | <b>3-32</b> |

SAFETY SWITCHES

3



## Safety Switches EZ Selector - Selection Assistance

### Safety Switches EZ Selector - Selection Assistance

#### EZ Selector

#### Steps to select a safety switch.

1. Select product type:
  - General duty safety switch
  - Heavy duty safety switch
  - Double throw safety switch
2. Select switch type.
3. Select fuse type: fused, non-fused, cartridge, class T or plug
4. Select maximum voltage: 240 Vac, 600 Vac
5. Select amperes:
  - General/light duty – 30 A, 60 A, 100 A, 200 A, 400 A, 800 A
  - Heavy duty – 30 A, 60 A, 100 A, 200 A, 225 A, 400 A, 600 A, 800 A, 1200 A
  - Double throw – 30 A, 60 A, 100 A, 200 A, 400 A, 600 A
6. Select number of poles:
  - General/light duty – 1, 2 or 3
  - Heavy duty – 2, 3, 4 or 6
  - General/light duty – 2, 3, 4 or 6
7. Select if neutral is needed.
8. Select enclosure type:
  - General/light duty – NEMA 1, NEMA 3R
  - Heavy duty – NEMA1, NEMA 12K, NEMA 3R, 5, 12, NEMA 4, 4X, 5 (stainless steel 304), NEMA 4, 4X, 5 (stainless steel 316)
  - Double throw – NEMA1, NEMA 12K, NEMA 3R, 5, 12, NEMA 4, 4X, 5 (stainless steel 304)
  - Optional enclosure types for special heavy duty applications.

#### Additional Information

- Search “[Safety Switches](#)” from our technical FAQs page: [www.schneider-electric.us/en/faqs/home/](http://www.schneider-electric.us/en/faqs/home/)
- Refer to catalog [3100CT1602](#).



L221N

### Light Duty—Visible Blades 10 kA Short Circuit Current Rating

The Square D light duty enclosed switch is ideal for home applications in disconnecting power to workshops, hobby rooms, furnaces, and garages. The light duty safety switch has visible blades and a ground lug as standard features.

Table 3.1: Fusible

| System                                                          | Amperes | Fuse      | NEMA Type 1 Indoor Cat. No. | Horsepower Ratings |        |                |        |
|-----------------------------------------------------------------|---------|-----------|-----------------------------|--------------------|--------|----------------|--------|
|                                                                 |         |           |                             | 120 Vac            |        | 240 Vac        |        |
|                                                                 |         |           |                             | Std.               | Max.   | Std.           | Max.   |
| <b>2 Wire (1 Blades and Fuseholders, 1 Neutral)—120 Vac</b>     |         |           |                             |                    |        |                |        |
|                                                                 | 30      | Plug      | L111N                       | —                  | —      | —              | —      |
| <b>3 Wire (2 Blades and Fuseholders, 1 Neutral)—120/240 Vac</b> |         |           |                             |                    |        |                |        |
|                                                                 | 30      | Plug Cart | L211N<br>L221N              | 1/2<br>1/2         | 2<br>2 | 1-1/2<br>1-1/2 | 3<br>3 |

### General Duty—Up To 100 kA Short Circuit Current Rating

General duty safety switches are designed for residential and commercial applications where durability and economy are prime considerations. Typical loads are lighting, air conditioning, and appliances. They are suitable for use as service equipment when equipped with a factory or field-installed neutral assembly or a field-installed service grounding kit, (see page 3-5) as applicable.

General duty safety switches are UL Listed, File E2875, and meet or exceed the NEMA Standard KS1.

### 240 Volt—Single Throw Fusible Switches

Table 3.2: Fusible




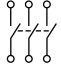
D223N

| System                                                                                          | Amperes | Fuse    | NEMA Type 1 Indoor Cat. No.                            | NEMA Type 3R [1] Rainproof Cat. No. | Class R Fuse Kits [2] Cat. No. | Horsepower Ratings                |          |                                      |           |
|-------------------------------------------------------------------------------------------------|---------|---------|--------------------------------------------------------|-------------------------------------|--------------------------------|-----------------------------------|----------|--------------------------------------|-----------|
|                                                                                                 |         |         |                                                        |                                     |                                | Std. (Fast Acting One-Time Fuses) |          | Max. (Dual Element Time-Delay Fuses) |           |
|                                                                                                 |         |         |                                                        |                                     |                                | 1Ø                                | 3Ø       | 1Ø                                   | 3Ø        |
| <b>2 Wire (1 Blade and Fuseholder, 1 Neutral)—120 Vac</b>                                       |         |         |                                                        |                                     |                                |                                   |          |                                      |           |
|                                                                                                 | 30      | Plug    | Use Light Duty Device for this Application (see above) |                                     |                                | —                                 | —        | —                                    | —         |
|                                                                                                 | 30      | Cart.   | Use three-wire devices for this application.           |                                     |                                | —                                 | —        | —                                    | —         |
| <b>3 Wire (2 Blades and Fuseholders, 1 Neutral)—120/240 Vac (Plug), 240 Vac (Cart.) Maximum</b> |         |         |                                                        |                                     |                                |                                   |          |                                      |           |
|                                                                                                 | 30      | Plug    | D211N                                                  | D211NRB                             | —                              | 1-1/2                             | —        | 3                                    | —         |
|                                                                                                 | 30      | Cart.   | D221N                                                  | D221NRB                             | DRK30                          | 1-1/2                             | 3[3]     | 3                                    | 7-1/2 [3] |
|                                                                                                 | 60      | Cart.   | D222N                                                  | D222NRB                             | RFK03H                         | 3                                 | 7-1/2[3] | 10                                   | 15[3]     |
|                                                                                                 | 100     | Cart.   | D223N                                                  | D223NRB                             | RFK10                          | 7-1/2                             | 15[3]    | 15                                   | 30[3]     |
|                                                                                                 | 200     | Cart.   | D224N [4]                                              | D224NRB [4]                         | HRK1020                        | 15                                | 25[3]    | —                                    | 60[3]     |
|                                                                                                 | 400     | Cart.   | D225N                                                  | D225NR                              | DRK40                          | —                                 | —        | —                                    | —         |
|                                                                                                 | 600 [5] | Cart.   | D226N                                                  | D226NR                              | DRK600                         | —                                 | —        | —                                    | —         |
| <b>4 Wire (3 Blades and Fuseholders, 1 Neutral)—240 Vac Maximum</b>                             |         |         |                                                        |                                     |                                |                                   |          |                                      |           |
|                                                                                                 | 30      | Cart.   | D321N                                                  | D321NRB                             | DRK30                          | 1-1/2                             | 3        | 3                                    | 7-1/2     |
|                                                                                                 | 60      | Cart.   | D322N                                                  | D322NRB                             | RFK03H                         | 3                                 | 7-1/2[6] | 10                                   | 15[6]     |
|                                                                                                 | 100     | Cart.   | D323N                                                  | D323NRB                             | RFK10                          | 7-1/2                             | 15[6]    | 15                                   | 30[6]     |
|                                                                                                 | 200     | Cart.   | D324N [4]                                              | D324NRB [4]                         | HRK1020                        | 15                                | 25[6]    | —                                    | 60[6]     |
|                                                                                                 | 400     | Cart.   | D325N                                                  | D325NR                              | DRK40                          | —                                 | 50       | —                                    | 125       |
|                                                                                                 | 400 [7] | Class T | D325NT                                                 | D325NTR                             | —                              | —                                 | 50       | —                                    | —         |
|                                                                                                 | 600 [5] | Cart.   | D326N                                                  | D326NR                              | DRK600                         | —                                 | 75       | —                                    | 150       |
|                                                                                                 | 600 [7] | Class T | D326NT                                                 | D326NTR                             | —                              | —                                 | 75       | —                                    | —         |
|                                                                                                 | 800 [7] | Class T | T327N                                                  | T327NR                              | —                              | —                                 | 100      | —                                    | —         |

[1] Bolt-on hubs —Refer to Rainproof Bolt-On Hubs, Table 1.27, page 3-14.  
 [2] When properly installed, the Class R Fuse Kit rejects all but Class R fuses.  
 [3] For corner grounded delta systems only. Use switching poles for ungrounded conductors. See data bulletin 2700DB0202 for additional information.  
 [4] For 200% neutral, order (1) additional neutral kit SN20A and (1) neutral jumper kit SN20NI.  
 [5] Order Class J Fuse Kit GDJK600 if using Class J fuses.  
 [6] If corner grounded delta, use outer switching poles for ungrounded conductors.  
 [7] D325NT, D325NTR, D326NT, D326NTR, T327N and T327NR accept only 300Vac Class T fuses.

240 Volt—Single Throw Non-Fusible Switches

Table 3.3: Non-Fusible

| System                                                                            | Amperes | NEMA Type 1 Indoor | NEMA Type 3R Rainproof [8] | Horsepower Ratings (Max.) |       |
|-----------------------------------------------------------------------------------|---------|--------------------|----------------------------|---------------------------|-------|
|                                                                                   |         | Cat. No.           | Cat. No.                   | 1Ø                        | 3Ø    |
| <b>2 Wire (2 Blades)—240 Vac Maximum</b>                                          |         |                    |                            |                           |       |
|  | 30      | —                  | DU221RB                    | 3                         | —     |
|                                                                                   | 60      | —                  | DU222RB                    | 10                        | —     |
|                                                                                   | 60      | QO260NATS [9] [10] | QO200TR [9] [10] [11]      | 10                        | —     |
|                                                                                   | 100     | QO2000NS [9] [10]  | QO2000NRB [9] [11]         | 20                        | —     |
|                                                                                   | 200     | Use 3P Switch      | Use 3P Switch              | —                         | —     |
|                                                                                   | 400     | Use 3P Switch      | Use 3P Switch              | —                         | —     |
| <b>3 Wire (3 Blades)—240 Vac Maximum</b>                                          |         |                    |                            |                           |       |
|  | 30      | DU321              | DU321RB                    | 3                         | 7-1/2 |
|                                                                                   | 60      | DU322              | DU322RB                    | 10                        | 15    |
|                                                                                   | 100     | DU323 [12]         | DU323RB [12]               | 15                        | 40    |
|                                                                                   | 200     | DU324 [13]         | DU324RB [13]               | 15                        | 60    |
|                                                                                   | 400     | DU325              | —                          | —                         | 125   |
|                                                                                   | 600     | DU326 [14]         | —                          | —                         | 150   |

UL Listed Maximum Short Circuit Current Ratings — AC Only

Table 3.4: Fusible Safety Switch Short Circuit Current Rating

| Fuse Class | UL Listed Short Circuit Rating |
|------------|--------------------------------|
| Plug       | 10 kA                          |
| H, K       | 10 kA                          |
| J [15], R  | 100 kA                         |
| T [16]     | 100 kA                         |

Non-Fusible Safety Switches

**Systems equal or less than 10 kAIR SCCR**—Any brand of circuit breaker or fuse not exceeding the ampere rating of the switch may be used in conjunction with a non-fusible safety switch.

**Systems above 10 kAIR SCCR**—The UL Listed short circuit current rating for Square D non-fusible switches is based upon the switch being used in conjunction with fuses or Square D circuit breakers or Mag-Gard motor circuit protectors.

Table 3.5: Non-Fusible Safety Switch Short Circuit Current Rating

| Fuse Class or Circuit Breaker Type [17] | UL Listed Short Circuit Rating |
|-----------------------------------------|--------------------------------|
| Any Brand Circuit Breaker               | 10 kA                          |
| H or J PowerPact Circuit Breaker        | Up to 65 kA [18]               |
| H, K                                    | 10 kA                          |
| J, R                                    | 100 kA [19]                    |
| T                                       | 100 kA [20]                    |

[8] Bolt-on hubs—Refer to Hubs, page 3-14.

[9] Enclosed molded case switch—Refer to Section 1.

[10] Includes factory-installed grounding kit.

[11] Not service entrance rated—Refer to Table 3.34 for more information.

[12] If a neutral assembly is required, order and field install SN0610.

[13] If a neutral assembly is required, order and field install a SN20A Neutral Assembly Kit. For a 200% neutral application, order and field install (2) SN20A Neutral Assembly Kits and (1) SN20NI Neutral Jumper Kit.

[14] If a neutral assembly is required, order and field install D600SN.

[15] Only applicable to 200 A - 600 A except D325NT, D325NTR, D326NT and D326NTR.

[16] Only applicable to D325NT, D325NTR, D326NT, D326NTR, T327N and T327NR.

[17] Ampere rating of fuse or circuit breaker not to exceed switch ampere rating.

[18] Only applicable to DU324 and DU324RB. HD, JD = 25 kA maximum.

[19] SCCR = 50 kA, applicable to DU222RB, DU322 and DU322RB.

[20] Only applicable to DU323, DU323RB, DU325 and DU326.



Fuse Puller Kit  
Series F Fusible Switches Only

**Field-Installed Fuse Puller Kits**

Kit consists of three fuse pullers as required for a 3P, fusible, 60 or 100 A general duty switch. Kits can be installed only in 60 or 100 A Series F fusible switches.

**Table 3.6: Fuse Puller Kits**

| Switch Ampere Rating | Series No. | Cat. No. |
|----------------------|------------|----------|
| 60                   | F          | FPK03    |
| 100                  | F          | FPK0610  |

**Field-Installed Electrical Interlock Kits**

Electrical interlocks for Series F 100–200 A general duty safety switches & Series F 60 A fusible general duty safety switches are available in kit form for field installation. Each kit contains instructions for proper field mounting. A pivot arm operates from switch mechanism, breaking the control circuit before the main switch blades break. Switches with electrical interlocks installed are UL Listed.

**Table 3.7: Electrical Interlock Kit**

| Switch Amperes Rating | Electrical Interlock Kit Cat. No. [21] |
|-----------------------|----------------------------------------|
| Fusible Series F 60   | EIK031 or EIK032                       |
| Series F 100–200      | EIK1 or EIK2                           |

**Table 3.8: Electrical Interlock Contact Ratings [22]**

| Interlock Type                              | AC 50 or 60Hz |         |         |         | DC    |              |         |
|---------------------------------------------|---------------|---------|---------|---------|-------|--------------|---------|
|                                             | Volts         | Make    | Break   | Cont.   | Volts | Make / Break | Cont.   |
| 1 N. O. / 1 N. C. Contact (-1 Suffix [23])  | 120           | 40.00 A | 15.00 A | 15.00 A | 115   | 0.50 A       | 15.00 A |
|                                             | 240           | 20.00 A | 10.00 A | 15.00 A | 230   | 0.25 A       | 15.00 A |
| 2 N. O. / 2 N. C. Contacts (-2 Suffix [24]) | 120           | 30.00 A | 3.00 A  | 10.00 A | 115   | 1.00 A       | 10.00 A |
|                                             | 240           | 15.00 A | 1.5 A   | 10.00 A | 230   | 0.30 A       | 10.00 A |

**Equipment Grounding Kits**

**Table 3.9: Equipment Grounding Kits**

| Switch Ampere Rating | Cat. No.     | Lug Wire Range (AWG)                                               |
|----------------------|--------------|--------------------------------------------------------------------|
| 30 [25]              | Std.         | (1) 14 – 10 Cu or (1) 12 – 8 Al                                    |
| 30                   | PK3GTA1      | (3) 14 – 4 Cu or (3) 12 – 4 Al or (6) 14 – 12 Cu or (6) 12 – 10 Al |
| 60 [26]              | GTK03        | (2) 14 – 4 Cu or (2) 12 – 4 Al (4) 14 – 12 Cu or (4) 12 – 10 Al    |
| 100                  | GTK0610      | (2) 14 – 1/0 Cu or (2) 12 – 1/0 Al (2) 14 – 6 Cu or (2) 12 – 6 Al  |
| 200                  | PKOGTA2      | (2) 10 – 2/0 Cu or (2) 6 – 2/0 Cu Al                               |
| 400, 600             | PKOGTA2 [27] | (2) 10 – 2/0 Cu or (2) 6 – 2/0 Cu Al                               |
| 800                  | PKOGTA3      | (6) 6 – 3/0 Al/Cu Max.                                             |



**Field-Installed Lug Kit 400 A – 600 A**

**Table 3.10: Field-Installed Lug Kit 400 A – 600 A**

| Switch Ampere Rating   | Lug Kit Cat. No. | Wire Range/NEC                                        | Lug Wire Range                     |
|------------------------|------------------|-------------------------------------------------------|------------------------------------|
| 400 or 600 Series [28] | GD4060LK         | 1-1/0-600 kcmil<br>2-1/0-500 kcmil<br>4-1/0-250 kcmil | 2-1/0-600 kcmil<br>4-1/0-250 kcmil |

**Terminal Lug Data**

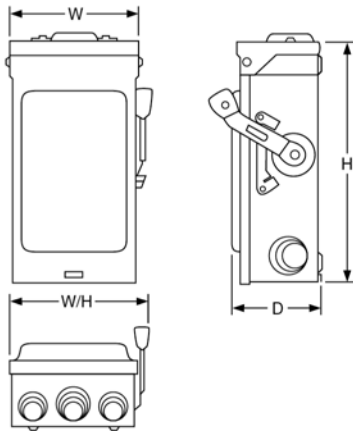
**Table 3.11: Terminal Lug Data [29]**

| Amperes          | Conductors Per Phase | Wire Range Wire Bending Space Per NEC Table 312.6 AWG/kcmil | Lug Wire Range AWG/kcmil                   |
|------------------|----------------------|-------------------------------------------------------------|--------------------------------------------|
| 30 [30]          | 1                    | 12–8 (Al) or 14–8 (Cu)                                      | 12–8 (Al) or 14–8 (Cu)                     |
| 30               | 1                    | 12–6 (Al) or 14–6 (Cu)                                      | 12–6 (Al) or 14–6 (Cu)                     |
| 60               | 1                    | 12–3 (Al) or 14–3 (Cu)                                      | 12–2 (Al) or 14–2 (Cu)                     |
| 100              | 1                    | 12–1 (Al) or 14–1 (Cu)                                      | 12–1/0 (Al) or 14–1/0 (Cu)                 |
| 200              | 1                    | 6–250 (Al/Cu)                                               | 6–300 (Al/Cu)                              |
| 400 NEMA Type 1  | 1 or 2               | 1/0–600 (Al/Cu) or 1/0–300 (Al/Cu)                          | (1) 1/0–750 (Al/Cu) or (2) 1/0–300 (Al/Cu) |
| 400 NEMA Type 3R | 2                    | 1/0–250 (Al/Cu)                                             | (1) 1–600 (Al/Cu) or (2) 1/0–250 (Al/Cu)   |
| 600              | 2                    | 4–500 (Al/Cu)                                               | 4–600 (Al/Cu)                              |
| 800              | 3                    | 3/0–500 (Al/Cu)                                             | 3/0–500 (Al/Cu)                            |

[21] Electrical interlock kit catalog numbers with -1 suffix indicate one normally open and one normally closed contact; -2 indicates two normally open and two normally closed contacts. Kits are UL Listed.  
 [22] Single-pole single-throw interlock kits are rated 1/2 hp at 110 and 220 Vac.  
 [23] -1 Suffix uses a 9007A01 limit switch.  
 [24] -2 Suffix uses a 9007C03 limit switch.  
 [25] Light duty safety switches.  
 [26] 60 A non-fusible switches accept PK3GTA1.  
 [27] Two required if ground conductors are run in parallel.  
 [28] Not suitable for use on 400 A NEMA Type 3R.  
 [29] 30–100 A switches suitable for 60°C or 75°C conductors. 200–800 A switches suitable for 75°C conductors.  
 [30] Light duty switches only.

Dimensions for General Duty Safety Switches

Table 3.12: Approximate Dimensions



| Cat. No.  | Series | H     |      | W     |     | W/H   |     | D     |     | Std. Pack |
|-----------|--------|-------|------|-------|-----|-------|-----|-------|-----|-----------|
|           |        | in.   | mm   | in.   | mm  | in.   | mm  | in.   | mm  |           |
| L111N     | E2     | 7.63  | 194  | 5.00  | 127 | 6.13  | 156 | 4.00  | 102 | 1         |
| L211N     | E2     | 7.63  | 194  | 5.00  | 127 | 6.13  | 156 | 4.00  | 102 | 1         |
| L221N     | E2     | 7.63  | 194  | 5.00  | 127 | 6.13  | 156 | 4.00  | 102 | 1         |
| D211N     | E3     | 9.25  | 235  | 6.75  | 171 | 7.25  | 184 | 3.63  | 92  | 5         |
| D211NRB   | E2     | 9.63  | 245  | 7.25  | 184 | 7.75  | 197 | 3.75  | 95  | 5         |
| D221N     | E3     | 9.25  | 235  | 6.75  | 171 | 7.25  | 184 | 3.63  | 92  | 5         |
| D221NRB   | E3     | 9.63  | 245  | 7.25  | 184 | 7.75  | 197 | 3.75  | 95  | 5         |
| D222N     | F1     | 14.63 | 372  | 6.50  | 165 | 7.45  | 189 | 4.88  | 124 | 1         |
| D222NRB   | F1     | 14.88 | 378  | 6.63  | 168 | 7.45  | 189 | 4.88  | 124 | 1         |
| D223N     | F3     | 17.50 | 445  | 8.50  | 216 | 10.50 | 267 | 6.50  | 165 | 1         |
| D223NRB   | F3     | 17.50 | 445  | 8.50  | 216 | 10.50 | 267 | 6.50  | 165 | 1         |
| D224N     | F1     | 29.00 | 737  | 17.25 | 438 | 19.00 | 483 | 8.25  | 210 | 1         |
| D224NRB   | F1     | 29.25 | 743  | 17.25 | 438 | 19.00 | 483 | 8.25  | 210 | 1         |
| D225N     | E3     | 45.12 | 1146 | 24.00 | 610 | 24.88 | 632 | 8.88  | 226 | 1         |
| D225NR    | E1     | 30.63 | 778  | 21.38 | 543 | 22.25 | 565 | 10.13 | 257 | 1         |
| D226N     | E3     | 49.13 | 1248 | 24.00 | 610 | 24.88 | 632 | 8.88  | 226 | 1         |
| D226NR    | E1     | 49.13 | 1248 | 24.75 | 629 | 25.13 | 638 | 8.88  | 226 | 1         |
| D321N     | E3     | 9.25  | 235  | 6.75  | 171 | 7.25  | 184 | 3.63  | 92  | 5         |
| D321NRB   | E3     | 9.63  | 245  | 7.25  | 184 | 7.75  | 197 | 3.75  | 95  | 5         |
| D322N     | F1     | 14.63 | 372  | 6.50  | 165 | 7.45  | 189 | 4.88  | 124 | 1         |
| D322NRB   | F1     | 14.88 | 378  | 6.63  | 168 | 7.45  | 189 | 4.88  | 124 | 1         |
| D323N     | F3     | 17.50 | 445  | 8.50  | 216 | 10.50 | 267 | 6.50  | 165 | 1         |
| D323NRB   | F3     | 17.50 | 445  | 8.50  | 216 | 10.50 | 267 | 6.50  | 165 | 1         |
| D324N     | F1     | 29.00 | 737  | 17.25 | 438 | 19.00 | 483 | 8.25  | 210 | 1         |
| D324NRB   | F1     | 29.25 | 743  | 17.25 | 438 | 19.00 | 483 | 8.25  | 210 | 1         |
| D325N     | E3     | 45.12 | 1146 | 24.00 | 610 | 24.88 | 632 | 8.88  | 226 | 1         |
| D325NT    | E3     | 45.12 | 1146 | 24.00 | 610 | 24.88 | 632 | 8.88  | 226 | 1         |
| D325NR    | E1     | 30.63 | 778  | 21.38 | 543 | 22.25 | 565 | 10.13 | 257 | 1         |
| D325NTR   | E1     | 30.63 | 778  | 21.38 | 543 | 22.25 | 565 | 10.13 | 257 | 1         |
| D326N     | E3     | 49.13 | 1248 | 24.00 | 610 | 24.88 | 632 | 8.88  | 226 | 1         |
| D326NT    | E3     | 49.13 | 1248 | 24.00 | 610 | 24.88 | 632 | 8.88  | 226 | 1         |
| D326NR    | E1     | 49.13 | 1248 | 24.75 | 629 | 25.13 | 638 | 8.88  | 226 | 1         |
| D326NTR   | E1     | 49.13 | 1248 | 24.75 | 629 | 25.13 | 638 | 8.88  | 226 | 1         |
| DU221RB   | E2     | 9.63  | 245  | 7.25  | 184 | 7.75  | 197 | 3.75  | 95  | 5         |
| DU222RB   | E1     | 9.63  | 245  | 7.25  | 184 | 7.75  | 197 | 3.75  | 95  | 5         |
| DU321     | E2     | 9.25  | 235  | 6.75  | 171 | 7.25  | 184 | 3.63  | 92  | 5         |
| DU321RB   | E2     | 9.63  | 245  | 7.25  | 184 | 7.75  | 197 | 3.75  | 95  | 5         |
| DU322     | E1     | 9.25  | 235  | 6.75  | 171 | 7.25  | 184 | 3.63  | 92  | 5         |
| DU322RB   | E1     | 9.63  | 245  | 7.25  | 184 | 7.75  | 197 | 3.75  | 95  | 5         |
| DU323     | F3     | 17.50 | 445  | 8.50  | 216 | 10.50 | 267 | 6.50  | 165 | 1         |
| DU323RB   | F3     | 17.50 | 445  | 8.50  | 216 | 10.50 | 267 | 6.50  | 165 | 1         |
| DU324     | F1     | 29.00 | 737  | 17.25 | 438 | 19.00 | 483 | 8.25  | 210 | 1         |
| DU324RB   | F1     | 29.25 | 743  | 17.25 | 438 | 19.00 | 483 | 8.25  | 210 | 1         |
| DU325     | E3     | 45.12 | 1146 | 24.00 | 610 | 24.88 | 632 | 8.88  | 226 | 1         |
| DU326     | E3     | 49.13 | 1248 | 24.00 | 610 | 24.88 | 632 | 8.88  | 226 | 1         |
| QO200TR   | G3     | 6.50  | 165  | 4.63  | 118 | —     | —   | 3.88  | 99  | 5         |
| QO260NATS | E2     | 9.25  | 235  | 4.88  | 124 | —     | —   | 3.25  | 83  | 1         |
| QO2000NRB | E1     | 14.00 | 356  | 7.75  | 197 | —     | —   | 4.50  | 114 | 1         |
| QO2000NS  | E1     | 13.38 | 340  | 6.13  | 156 | —     | —   | 3.50  | 89  | 1         |
| T327N     | E1     | 49.13 | 1248 | 24.00 | 610 | 24.88 | 632 | 8.88  | 226 | 1         |
| T327NR    | E1     | 49.13 | 1248 | 24.75 | 629 | 25.13 | 638 | 8.88  | 226 | 1         |



**Heavy Duty Safety Switches**

Visible blade heavy duty safety switches are designed for application where maximum performance and continuity of service are required. All heavy duty safety switches feature quick-make, quick-break operating mechanism, a dual cover interlock and a color coded indicator handle. They are suitable for use as service equipment when equipped with a field- or factory-installed neutral assembly or equipment grounding kit, unless a 600Y/347 V or 480 Y/277 V, 1000 A or greater, solidly grounded WYE system is used, per NEC 230-95. Heavy duty safety switches are UL Listed (except as noted). Files E2875 and E154828 meet or exceed the NEMA Standard KS1. For UL Listed short circuit current ratings, see **UL Listed Maximum Short Circuit Current Ratings-AC only**, page 3-10.

**Table 3.13: 240 Volt—Single Throw Fusible**

| System                                                               | Amperes  | NEMA Type 1 Indoor                                                         | NEMA Type 3R Rainproof (Bolt-on Hubs [1]) | NEMA Type 4, 4X, 5, [2] 304 Stainless Steel [3] Dust tight, Watertight, Corrosion Resistant (Watertight Hubs [7]) | NEMA Type 12K With Knockouts (Watertight Hubs [7]) | NEMA Type 3R, 5 or 12 [4] Without Knockouts (Watertight Hubs [7]) | Horsepower Ratings                       |           |                                             |           | 250 Vdc [5] |    |
|----------------------------------------------------------------------|----------|----------------------------------------------------------------------------|-------------------------------------------|-------------------------------------------------------------------------------------------------------------------|----------------------------------------------------|-------------------------------------------------------------------|------------------------------------------|-----------|---------------------------------------------|-----------|-------------|----|
|                                                                      |          |                                                                            |                                           |                                                                                                                   |                                                    |                                                                   | 240 Vac                                  |           |                                             |           |             |    |
|                                                                      |          |                                                                            |                                           |                                                                                                                   |                                                    |                                                                   | Std. (Using Fast Acting, One Time Fuses) |           | Max. (Using Dual Element, Time Delay Fuses) |           |             |    |
| Cat. No.                                                             | Cat. No. | Cat. No.                                                                   | Cat. No.                                  | Cat. No.                                                                                                          | 1Ø                                                 | 3Ø                                                                | 1Ø                                       | 3Ø        |                                             |           |             |    |
| <b>2-Wire (2 Blades and Fuseholders)—240 Vac, 250 Vdc</b>            |          |                                                                            |                                           |                                                                                                                   |                                                    |                                                                   |                                          |           |                                             |           |             |    |
|                                                                      | 30       | Use three-wire devices<br>For two-wire applications                        |                                           | H221DS                                                                                                            | H221A                                              | H221AWK                                                           | 1-1/2                                    | 3 [6]     | 3                                           | 7-1/2 [6] | 5           |    |
|                                                                      | 30       |                                                                            |                                           |                                                                                                                   |                                                    | H2212AWK [7]                                                      | 1-1/2                                    |           | 3                                           |           | 5           |    |
|                                                                      | 60       |                                                                            |                                           | H222DS                                                                                                            |                                                    | H222AWK                                                           | 3                                        | 7-1/2 [6] | 10                                          | 15 [6]    | 10          |    |
|                                                                      | 100      |                                                                            |                                           | H223DS                                                                                                            | H223A                                              | H223AWK                                                           | 7-1/2                                    | 15 [6]    | 15                                          | 30 [8]    | 20          |    |
|                                                                      | 200      |                                                                            |                                           | H224DS                                                                                                            | H224A                                              | H224AWK                                                           | 15                                       | 25 [6]    |                                             | 60 [6]    | 40          |    |
|                                                                      | 400      |                                                                            | H225                                      | H225R                                                                                                             | H225DS                                             |                                                                   | H225AWK                                  |           |                                             |           |             | 50 |
|                                                                      | 600      |                                                                            | H226                                      | H226R                                                                                                             | H226DS                                             |                                                                   | H226AWK                                  |           | 75 [6]                                      |           | 200 [6]     | 50 |
|                                                                      | 800      |                                                                            | H227                                      | H227R                                                                                                             |                                                    |                                                                   | H227AWK                                  | 50        |                                             |           |             | 50 |
| 1200                                                                 | H228     | H228R                                                                      |                                           |                                                                                                                   | H228AWK                                            | 50                                                                |                                          |           |                                             | 50        |             |    |
| <b>3-Wire (2 Blades and Fuseholders, 1 Neutral)—240 Vac, 250 Vdc</b> |          |                                                                            |                                           |                                                                                                                   |                                                    |                                                                   |                                          |           |                                             |           |             |    |
|                                                                      | 30       | H221N                                                                      | H221NRB                                   | Use two-wire devices.<br>See Field-Installed Neutral Assemblies, page 3-16                                        |                                                    |                                                                   | 1-1/2                                    | 3 [6]     | 3                                           | 7-1/2 [8] | 5           |    |
|                                                                      | 60       | H222N                                                                      | H222NRB                                   |                                                                                                                   |                                                    |                                                                   | 3                                        | 7-1/2 [6] | 10                                          | 15 [6]    | 10          |    |
|                                                                      | 100      | H223N                                                                      | H223NRB                                   |                                                                                                                   |                                                    |                                                                   | 7-1/2                                    | 15 [6]    | 15                                          | 30 [6]    | 20          |    |
|                                                                      | 200      | H224N                                                                      | H224NRB                                   |                                                                                                                   |                                                    |                                                                   | 15                                       | 25 [6]    |                                             | 60 [6]    | 40          |    |
|                                                                      | 400      | H225N                                                                      | H225NR                                    | H225NDS                                                                                                           |                                                    | H225NAWK                                                          |                                          | 50 [6]    |                                             | 125 [6]   | 50          |    |
|                                                                      | 600      | H226N                                                                      | H226NR                                    | H226NDS                                                                                                           |                                                    | H226NAWK                                                          |                                          | 75 [6]    |                                             | 200 [6]   | 50          |    |
|                                                                      | 800      | H227N                                                                      | H227NR [9]                                |                                                                                                                   |                                                    | H227NAWK                                                          | 50                                       |           |                                             |           | 50          |    |
|                                                                      | 1200     | H228N                                                                      | H228NR [9]                                |                                                                                                                   |                                                    | H228NAWK                                                          | 50                                       |           |                                             |           | 50          |    |
| <b>3-Wire (3 Blades and Fuseholders)—240 Vac, 250 Vdc</b>            |          |                                                                            |                                           |                                                                                                                   |                                                    |                                                                   |                                          |           |                                             |           |             |    |
|                                                                      | 30       | Use four-wire devices<br>For three-wire applications                       |                                           | H321DS                                                                                                            | H321A                                              | H321AWK                                                           | 1-1/2                                    | 3         | 3                                           | 7-1/2     | 5           |    |
|                                                                      | 60       |                                                                            |                                           | H322DS                                                                                                            | H322A                                              | H322AWK                                                           | 3                                        | 7-1/2     | 10                                          | 15        | 10          |    |
|                                                                      | 100      |                                                                            |                                           | H323DS                                                                                                            | H323A                                              | H323AWK                                                           | 7-1/2                                    | 15        | 15                                          | 30        | 20          |    |
|                                                                      | 200      |                                                                            |                                           | H324DS                                                                                                            | H324A                                              | H324AWK                                                           | 15                                       | 25        |                                             | 60        | 40          |    |
|                                                                      | 400      |                                                                            | H325                                      | H325R                                                                                                             | H325DS                                             |                                                                   | H325AWK                                  |           | 50                                          |           | 125         | 50 |
|                                                                      | 600      |                                                                            | H326                                      | H326R                                                                                                             | H326DS                                             |                                                                   | H326AWK                                  |           | 75                                          |           | 200         | 50 |
|                                                                      | 800      |                                                                            | H327                                      | H327R [9]                                                                                                         |                                                    |                                                                   | H327AWK                                  | 50        | 100                                         |           | 250         | 50 |
|                                                                      | 1200     |                                                                            | H328                                      | H328R [9]                                                                                                         |                                                    |                                                                   | H328AWK                                  | 50        | 100                                         |           | 250         | 50 |
| <b>4-Wire (3 Blades and Fuseholders, 1 Neutral)—240 Vac, 250 Vdc</b> |          |                                                                            |                                           |                                                                                                                   |                                                    |                                                                   |                                          |           |                                             |           |             |    |
|                                                                      | 30       | H321N                                                                      | H321NRB                                   | Use three-wire devices.<br>See Field-Installed Neutral Assemblies, page 3-16                                      |                                                    |                                                                   | 1-1/2                                    | 3         | 3                                           | 7-1/2     | 5           |    |
|                                                                      | 60       | H322N                                                                      | H322NRB                                   |                                                                                                                   |                                                    |                                                                   | 3                                        | 7-1/2     | 10                                          | 15        | 10          |    |
|                                                                      | 100      | H323N                                                                      | H323NRB                                   |                                                                                                                   |                                                    |                                                                   | 7-1/2                                    | 15        | 15                                          | 30        | 20          |    |
|                                                                      | 200      | H324N                                                                      | H324NRB                                   |                                                                                                                   |                                                    |                                                                   | 15                                       | 25        |                                             | 60        | 40          |    |
|                                                                      | 400      | H325N                                                                      | H325NR                                    | H325NDS                                                                                                           |                                                    | H325NAWK                                                          |                                          | 50        |                                             | 125       | 50          |    |
|                                                                      | 600      | H326N                                                                      | H326NR                                    | H326NDS                                                                                                           |                                                    | H326NAWK                                                          |                                          | 75        |                                             | 200       | 50          |    |
|                                                                      | 800      | H327N                                                                      | H327NR [9]                                |                                                                                                                   |                                                    | H327NAWK                                                          | 50                                       | 100       |                                             | 250       | 50          |    |
|                                                                      | 1200     | H328N                                                                      | H328NR [9]                                |                                                                                                                   |                                                    | H328NAWK                                                          | 50                                       | 100       |                                             | 250       | 50          |    |
| <b>4-Wire (4 Blades and Fuseholders)</b>                             |          |                                                                            |                                           |                                                                                                                   |                                                    |                                                                   |                                          |           |                                             |           |             |    |
|                                                                      | 30       | Use 600 Vac devices. See 600 Volt—Single Throw Fusible Switches, page 3-8. |                                           |                                                                                                                   |                                                    |                                                                   |                                          |           |                                             |           |             |    |
|                                                                      | 60       |                                                                            |                                           |                                                                                                                   |                                                    |                                                                   |                                          |           |                                             |           |             |    |
|                                                                      | 100      |                                                                            |                                           |                                                                                                                   |                                                    |                                                                   |                                          |           |                                             |           |             |    |
|                                                                      | 200      |                                                                            |                                           |                                                                                                                   |                                                    |                                                                   |                                          |           |                                             |           |             |    |
|                                                                      | 400      |                                                                            |                                           |                                                                                                                   |                                                    |                                                                   |                                          |           |                                             |           |             |    |
| 600                                                                  |          |                                                                            |                                           |                                                                                                                   |                                                    |                                                                   |                                          |           |                                             |           |             |    |

**Accessories:** see page 3-14  
**Dimensions:** NEMA Type 1 and 3R, see page 3-20  
**Dimensions:** NEMA Type 4, 4X and 5 Stainless and NEMA Type 12, see page 3-21

[1] For Rainproof Bolt-On Hubs and Watertight Hubs see **Hubs**, page 3-14.  
[2] Complete rating is NEMA Type 3, 3R, 4, 4X, 5 and 12. For NEMA Type 3R applications, remove drain screw from bottom endwall.  
[3] See 316 Grade Stainless Steel—NEMA Type 3, 3R, 4, 4X, 5, 12, page 3-11.  
[4] Also suitable for NEMA Type 3R application by removing drain screw from bottom endwall.  
[5] For switching dc, use two outside switching poles.  
[6] For corner grounded delta systems, use switching poles for ungrounded conductors. See data bulletin 2700DB0202 for additional information.  
[7] 60 ampere switch with 30 ampere fuse spacing and clips. Must use 60 A enclosure accessories including electrical interlocks.  
[8] For corner grounded delta systems, use switching poles for ungrounded conductors.  
[9] Suitable for NEMA Type 5 applications with drain screw installed.



600 Volt—Single Throw Fusible

Table 3.14: 600 Volt—Single Throw Fusible

| System                                                               | Amperes | NEMA Type 1 Indoor | NEMA Type 3R Rainproof (Bolt-on Hubs [10]) | NEMA Type 4, 4X, 5 [11] 304 Stainless Steel (316 stainless steel [12]) Dust tight, Watertight, Corrosion Resistant (Watertight Hubs [10]) | NEMA Type 12K With Knockouts (Watertight Hubs [10]) | NEMA Type 3R, 5 or 12 [13] Without Knockouts (Watertight Hubs [10]) | Horsepower Ratings                                                                               |                                             |                                          |                                             | dc [14] |       |
|----------------------------------------------------------------------|---------|--------------------|--------------------------------------------|-------------------------------------------------------------------------------------------------------------------------------------------|-----------------------------------------------------|---------------------------------------------------------------------|--------------------------------------------------------------------------------------------------|---------------------------------------------|------------------------------------------|---------------------------------------------|---------|-------|
|                                                                      |         |                    |                                            |                                                                                                                                           |                                                     |                                                                     | 480 Vac                                                                                          |                                             | 600 Vac                                  |                                             |         |       |
|                                                                      |         |                    |                                            |                                                                                                                                           |                                                     |                                                                     | Std. (Using Fast Acting, One Time Fuses)                                                         | Max. (Using Dual Element, Time Delay Fuses) | Std. (Using Fast Acting, One Time Fuses) | Max. (Using Dual Element, Time Delay Fuses) | 250     | 600   |
| Cat. No.                                                             |         |                    |                                            |                                                                                                                                           |                                                     |                                                                     | 3Ø                                                                                               | 3Ø                                          | 3Ø                                       | 3Ø                                          | 250     | 600   |
| <b>2-Wire (2 Blades and Fuseholders)—600 Vac, 600 Vdc</b>            |         |                    |                                            |                                                                                                                                           |                                                     |                                                                     |                                                                                                  |                                             |                                          |                                             |         |       |
|                                                                      | 30      |                    |                                            |                                                                                                                                           |                                                     |                                                                     | —                                                                                                | —                                           | —                                        | —                                           | —       | —     |
|                                                                      | 60      |                    |                                            |                                                                                                                                           |                                                     |                                                                     | —                                                                                                | —                                           | —                                        | —                                           | —       | —     |
|                                                                      | 100     |                    |                                            |                                                                                                                                           |                                                     |                                                                     | —                                                                                                | —                                           | —                                        | —                                           | —       | —     |
|                                                                      | 200     |                    |                                            |                                                                                                                                           |                                                     |                                                                     | —                                                                                                | —                                           | —                                        | —                                           | —       | —     |
|                                                                      | 400     | H265               | H265R                                      | H265DS                                                                                                                                    | —                                                   | H265AWK                                                             | 100 [15]                                                                                         | 250 [15]                                    | —                                        | —                                           | —       | 50 50 |
|                                                                      | 600     | H266               | H266R                                      | H266DS                                                                                                                                    | —                                                   | H266AWK                                                             | 150 [15]                                                                                         | 400 [15]                                    | —                                        | —                                           | —       | 50 50 |
|                                                                      | 800     | H267               | H267R [16]                                 | —                                                                                                                                         | —                                                   | H267AWK                                                             | —                                                                                                | —                                           | —                                        | —                                           | —       | — 50  |
| 1200                                                                 | H268    | H268R [16]         | —                                          | —                                                                                                                                         | H268AWK                                             | —                                                                   | —                                                                                                | —                                           | —                                        | —                                           | — 50    |       |
| <b>3-Wire (3 Blades and Fuseholders)—600 Vac, 600 Vdc</b>            |         |                    |                                            |                                                                                                                                           |                                                     |                                                                     |                                                                                                  |                                             |                                          |                                             |         |       |
|                                                                      | 30      | H361               | H361RB                                     | H361DS                                                                                                                                    | H361A                                               | H361AWK                                                             | 5                                                                                                | 15                                          | 7-1/2                                    | 20                                          | 5       | 15    |
|                                                                      | 30      | H361-2 [16] [17]   | H3612RB [17]                               | —                                                                                                                                         | H361-2A [17]                                        | H3612AWK [17]                                                       | 5                                                                                                | 15                                          | 7-1/2                                    | 20                                          | —       | 15    |
|                                                                      | 60      | H362               | H362RB                                     | H362DS                                                                                                                                    | H362A                                               | H362AWK                                                             | 15                                                                                               | 30                                          | 15                                       | 50                                          | —       | 30    |
|                                                                      | 100     | H363               | H363RB                                     | H363DS                                                                                                                                    | H363A                                               | H363AWK                                                             | 25                                                                                               | 60                                          | 30                                       | 100                                         | —       | 50    |
|                                                                      | 200     | H364               | H364RB                                     | H364DS                                                                                                                                    | H364A                                               | H364AWK                                                             | 50                                                                                               | 125                                         | 60                                       | 150                                         | 40      | 50    |
|                                                                      | 400     | H365               | H365R                                      | H365DS                                                                                                                                    | —                                                   | H365AWK                                                             | 100                                                                                              | 250                                         | 125                                      | 350                                         | 50      | 50    |
|                                                                      | 600     | H366               | H366R                                      | H366DS                                                                                                                                    | —                                                   | H366AWK                                                             | 150                                                                                              | 400                                         | 200                                      | 500                                         | 50      | 50    |
|                                                                      | 800     | H367               | H367R [16]                                 | —                                                                                                                                         | —                                                   | H367AWK                                                             | 200                                                                                              | 500                                         | 250                                      | 500                                         | —       | 50    |
| 1200                                                                 | H368    | H368R [16]         | —                                          | —                                                                                                                                         | H368AWK                                             | 200                                                                 | 500                                                                                              | 250                                         | 500                                      | —                                           | 50      |       |
| <b>4-Wire (3 Blades and Fuseholders, 1 Neutral)—600 Vac, 600 Vdc</b> |         |                    |                                            |                                                                                                                                           |                                                     |                                                                     |                                                                                                  |                                             |                                          |                                             |         |       |
|                                                                      | 30      | H361N              | H361NRB                                    | Use three-wire devices, See Field-Installed Neutral Assemblies, page 3-16                                                                 |                                                     |                                                                     | 5                                                                                                | 15                                          | 7-1/2                                    | 20                                          | —       | 15    |
|                                                                      | 60      | H362N              | H362NRB                                    |                                                                                                                                           |                                                     |                                                                     | 15                                                                                               | 30                                          | 15                                       | 50                                          | —       | 30    |
|                                                                      | 100     | H363N              | H363NRB                                    |                                                                                                                                           |                                                     |                                                                     | 25                                                                                               | 60                                          | 30                                       | 75                                          | —       | 50    |
|                                                                      | 200     | H364N              | H364NRB                                    | H364NDS                                                                                                                                   | H364NA                                              | H364NAWK                                                            | 50                                                                                               | 125                                         | 60                                       | 150                                         | 40      | 50    |
|                                                                      | 400     | H365N              | H365NR                                     | H365NDS                                                                                                                                   | —                                                   | H365NAWK                                                            | 100                                                                                              | 250                                         | 125                                      | 350                                         | 50      | 50    |
|                                                                      | 600     | H366N              | H366NR                                     | H366NDS                                                                                                                                   | —                                                   | H366NAWK                                                            | 150                                                                                              | 400                                         | 200                                      | 500                                         | 50      | 50    |
|                                                                      | 800     | H367N              | H367NR [16]                                | —                                                                                                                                         | —                                                   | H367NAWK                                                            | 200                                                                                              | 500                                         | 250                                      | 500                                         | —       | 50    |
|                                                                      | 1200    | H368N              | H368NR [16]                                | —                                                                                                                                         | —                                                   | H368NAWK                                                            | 200                                                                                              | 500                                         | 250                                      | 500                                         | —       | 50    |
| <b>4-Wire (4 Blades and Fuseholders)—600 Vac, 600 Vdc [18]</b>       |         |                    |                                            |                                                                                                                                           |                                                     |                                                                     |                                                                                                  |                                             |                                          |                                             |         |       |
|                                                                      | 30      | H461               | —                                          | H461DS                                                                                                                                    | —                                                   | H461AWK                                                             | 7-1/2                                                                                            | 20                                          | 10                                       | 25                                          | 5       | 15    |
|                                                                      | 60      | H462               | —                                          | H462DS                                                                                                                                    | —                                                   | H462AWK                                                             | 15                                                                                               | 40                                          | 20                                       | 50                                          | 10      | 30    |
|                                                                      | 100     | H463               | —                                          | H463DS                                                                                                                                    | —                                                   | H463AWK                                                             | 25                                                                                               | 60                                          | 30                                       | 75                                          | 20      | 30    |
|                                                                      | 200     | H464               | —                                          | H464DS                                                                                                                                    | —                                                   | H464AWK                                                             | 50                                                                                               | 125                                         | 60                                       | 150                                         | 40      | 50    |
|                                                                      | 400     | H465               | —                                          | —                                                                                                                                         | —                                                   | H465AWK                                                             | 100                                                                                              | 250                                         | 125                                      | 350                                         | 50      | 50    |
|                                                                      | 600     | H466               | —                                          | —                                                                                                                                         | —                                                   | —                                                                   | 150                                                                                              | 400                                         | 200                                      | 500                                         | 50      | 50    |
| <b>6-Wire (6 Blades and Fuseholders)—600 Vac [18]</b>                |         |                    |                                            |                                                                                                                                           |                                                     |                                                                     |                                                                                                  |                                             |                                          |                                             |         |       |
|                                                                      | 100     | —                  | —                                          | H663DS                                                                                                                                    | —                                                   | H663AWK                                                             | 25                                                                                               | 60                                          | 30                                       | 75                                          | —       | —     |
|                                                                      | 200     | —                  | —                                          | H664DS                                                                                                                                    | —                                                   | H664AWK                                                             | For applications requiring motor disconnect capability, see Electrical Interlock Kits, page 3-15 |                                             |                                          |                                             |         |       |

Accessories: see page 3-14

Dimensions: NEMA Type 1 and 3R, see page 3-20

Dimensions: NEMA Type 4, 4X and 5 Stainless and NEMA Type 12, see page 3-21

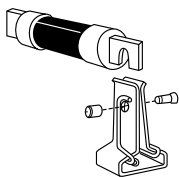
Class H, R, J, and L Fuse Provisions:

**Class H or K Fuse Provisions:** Fusible Square D 30–600 A heavy duty safety switches accept Class H or K fuses as standard. With Class H or K fuses installed, the switch is UL Listed for use on systems with up to 10 kA available fault current.

**Class R Fuse Provisions:** Fusible Square D 30–600 A heavy duty safety switches will accept Class R fuses as standard. A field-installed rejection kit is available which, when installed, rejects all but Class R fuses. With the installation of the rejection kit and Class R fuses, the switch is UL Listed for use on systems with up to 200 kA available fault current. See **Class R Fuse Kits**, page 3-15.

**Class J Fuse Provisions:** Provisions for installing Class J fuses are included in 30–400 A 600 Volt, and 100–400 A 240 Volt, fusible heavy duty safety switches. Conversion to Class J fuse spacing requires relocating the load side fuse base assembly from the standard Class H fuse location to an alternate position as marked in the enclosure. With Class J fuses installed, the switch is UL Listed for use on systems with up to 200 kA available fault current. Switches rated 600 A, 240 or 600 Volt, require the addition of an adapter kit, H600J. One kit per three-pole switch.

**Class L Fuse Provisions:** Fusible 800 A and 1200 A safety switches use Class L bolt-in fuses and are rated for use on systems with up to 200 kA at 600 Vac maximum. 1200 A switches accept class L fuses from 601–1200 A, 800 A switches accept class L fuses from 601–800 A.



Class R Fuse

[10] For Rainproof Bolt-On Hubs and Watertight Hubs see **Hubs**, page 3-14.

[11] Complete rating is NEMA Type 3, 3R, 4, 4X, 5 and 12..

[12] See Table 3.18 316 Grade Stainless Steel 3 Pole 600 Vac, 600 Vdc, page 3-11.

[13] Also suitable for NEMA Type 3R application by removing drain screw from bottom endwall.

[14] For switching dc, use two outside switching poles.

[15] For corner grounded delta systems, use switching poles for ungrounded conductors. See data bulletin 2700DB0202 for additional information.

[16] Suitable for NEMA Type 5 applications with drain screw installed.

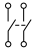
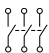
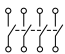
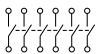
[17] 60 A switch with 30 A fuse spacing and clips. Must use 60 A enclosure accessories including electrical interlocks.

[18] Not suitable for use as service equipment.



**600 Volt—Single Throw Non-Fusible**

**Table 3.15: 600 Volt—Single Throw Non-Fusible**

| System                                                                             | Amperes | NEMA Type 1 Indoor<br>Cat. No. | NEMA Type 3R Rainproof [19]<br>Cat. No. | NEMA Type 4, 4X, 5 [20]<br>304 Stainless Steel [21]<br>Dust tight, Watertight<br>Corrosion Resistant [19]<br>Cat. No. | NEMA Type 12K With<br>Knockouts [19]<br>Cat. No. | NEMA Type 3R, 5 or 12 [22]<br>Without<br>Knockouts [19]<br>Cat. No. | Horsepower Ratings (Max.) |     |       |     |     |     |         |         |
|------------------------------------------------------------------------------------|---------|--------------------------------|-----------------------------------------|-----------------------------------------------------------------------------------------------------------------------|--------------------------------------------------|---------------------------------------------------------------------|---------------------------|-----|-------|-----|-----|-----|---------|---------|
|                                                                                    |         |                                |                                         |                                                                                                                       |                                                  |                                                                     | Volts ac                  |     |       |     |     |     | dc [23] |         |
|                                                                                    |         |                                |                                         |                                                                                                                       |                                                  |                                                                     | 240                       |     | 480   |     | 600 |     | 250     |         |
|                                                                                    |         | 1Ø                             | 3Ø                                      | 1Ø                                                                                                                    | 3Ø                                               | 1Ø                                                                  | 3Ø                        | 1Ø  | 3Ø    | 250 | 600 |     |         |         |
| <b>2-Wire (2 Blades)—600 Vac, 600 Vdc</b>                                          |         |                                |                                         |                                                                                                                       |                                                  |                                                                     |                           |     |       |     |     |     |         |         |
|   | 30      |                                |                                         |                                                                                                                       |                                                  |                                                                     | —                         | —   | —     | —   | —   | —   | —       |         |
|                                                                                    | 60      |                                |                                         |                                                                                                                       |                                                  |                                                                     | —                         | —   | —     | —   | —   | —   | —       |         |
|                                                                                    | 100     |                                |                                         |                                                                                                                       |                                                  |                                                                     | —                         | —   | —     | —   | —   | —   | —       |         |
|                                                                                    | 200     |                                |                                         |                                                                                                                       |                                                  |                                                                     | —                         | —   | —     | —   | —   | —   | —       |         |
|                                                                                    | 400     | HU265                          | HU265R                                  | HU265DS                                                                                                               | —                                                | HU265AWK                                                            | —                         | 125 | —     | 250 | —   | 50  | 50      |         |
|                                                                                    | 600     | HU266                          | HU266R                                  | HU266DS                                                                                                               | —                                                | HU266AWK                                                            | —                         | 200 | —     | 400 | —   | 50  | 50      |         |
|                                                                                    | 800     | HU267                          | HU267R [24]                             | —                                                                                                                     | —                                                | HU267AWK                                                            | —                         | —   | —     | 50  | —   | —   | 50      |         |
| 1200                                                                               | HU268   | HU268R [24]                    | —                                       | —                                                                                                                     | HU268AWK                                         | —                                                                   | —                         | —   | 50    | —   | —   | 50  |         |         |
| <b>3-Wire (3 Blades)—600 Vac, 600 Vdc</b>                                          |         |                                |                                         |                                                                                                                       |                                                  |                                                                     |                           |     |       |     |     |     |         |         |
|   | 30      | HU361                          | HU361RB                                 | HU361DS                                                                                                               | HU361A                                           | HU361AWK                                                            | 5                         | 10  | 7-1/2 | 20  | 10  | 30  | 5       | 15      |
|                                                                                    | 30      | HU361EI [25]                   | HU361RBEI [25]                          | HU361DSEI [25]                                                                                                        | HU361AEI [25]                                    | HU361AWKEI [25]                                                     | 5                         | 10  | 7-1/2 | 20  | 10  | 30  | 5       | 15      |
|                                                                                    | 30      | —                              | HU3612RB [26]                           | —                                                                                                                     | HU3612A [26]                                     | HU3612AWK [26]                                                      | 5                         | 10  | 7-1/2 | 20  | 10  | 30  | 5       | 15      |
|                                                                                    | 60      | HU362                          | HU362RB                                 | HU362DS                                                                                                               | HU362A                                           | HU362AWK                                                            | 10                        | 20  | 25    | 50  | 30  | 60  | 10      | 30      |
|                                                                                    | 60      | —                              | —                                       | HU362DSEI [25]                                                                                                        | —                                                | —                                                                   | 10                        | 20  | 25    | 50  | 30  | 60  | 10      | 30      |
|                                                                                    | 100     | HU363                          | HU363RB                                 | HU363DS                                                                                                               | HU363A                                           | HU363AWK                                                            | 20                        | 40  | 40    | 75  | 40  | 100 | 20      | 50      |
|                                                                                    | 200     | HU364                          | HU364RB                                 | HU364DS                                                                                                               | HU364A                                           | HU364AWK                                                            | 15                        | 60  | 50    | 125 | 50  | 150 | 40      | 50      |
|                                                                                    | 400     | HU365                          | HU365R                                  | HU365DS                                                                                                               | —                                                | HU365AWK                                                            | —                         | 125 | —     | 250 | —   | 350 | 50      | 50      |
|                                                                                    | 600     | HU366                          | HU366R                                  | HU366DS                                                                                                               | —                                                | HU366AWK                                                            | —                         | 200 | —     | 400 | —   | 500 | 50      | 50      |
|                                                                                    | 800     | HU367                          | HU367R [24]                             | —                                                                                                                     | —                                                | HU367AWK                                                            | —                         | —   | —     | 500 | 50  | 500 | —       | 50      |
| 1200                                                                               | HU368   | HU368R [24]                    | —                                       | —                                                                                                                     | HU368AWK                                         | —                                                                   | —                         | —   | 50    | 500 | —   | 50  | —       |         |
| <b>4-Wire (4 Blades)—600 Vac, 600 Vdc [27]</b>                                     |         |                                |                                         |                                                                                                                       |                                                  |                                                                     |                           |     |       |     |     |     |         |         |
|   | 30      | HU461 [28]                     | —                                       | HU461DS                                                                                                               | —                                                | HU461AWK [29]                                                       | 10                        | 10  | 20    | 20  | 25  | 30  | 10 [30] | 15 [30] |
|                                                                                    | 60      | HU462 [28]                     | —                                       | HU462DS                                                                                                               | —                                                | HU462AWK                                                            | 20                        | 20  | 40    | 50  | 50  | 60  | 10      | 30      |
|                                                                                    | 100     | HU463 [28]                     | —                                       | HU463DS                                                                                                               | —                                                | HU463AWK                                                            | 30                        | 40  | 50    | 75  | 50  | 75  | 20      | 30      |
|                                                                                    | 200     | HU464 [28]                     | —                                       | HU464DS                                                                                                               | —                                                | HU464AWK                                                            | 50                        | 60  | 50    | 125 | 50  | 150 | 40      | 50      |
|                                                                                    | 400     | HU465                          | —                                       | —                                                                                                                     | —                                                | HU465AWK                                                            | —                         | 125 | —     | 250 | —   | 350 | 50      | 50      |
|                                                                                    | 600     | HU466                          | —                                       | —                                                                                                                     | —                                                | —                                                                   | —                         | 200 | —     | 400 | —   | 500 | 50      | 50      |
| <b>6-Wire (6 Blades)—600 Vac [27]</b>                                              |         |                                |                                         |                                                                                                                       |                                                  |                                                                     |                           |     |       |     |     |     |         |         |
|  | 30      | —                              | —                                       | HU661DS                                                                                                               | —                                                | HU661AWK                                                            | —                         | 10  | —     | 20  | —   | 30  | —       | —       |
|                                                                                    | 60      | —                              | —                                       | HU662DS                                                                                                               | —                                                | HU662AWK                                                            | —                         | 20  | —     | 50  | —   | 60  | —       | —       |
|                                                                                    | 100     | —                              | —                                       | HU663DS                                                                                                               | —                                                | HU663AWK                                                            | —                         | 50  | —     | 75  | —   | 75  | —       | —       |
|                                                                                    | 200     | —                              | —                                       | HU664DS                                                                                                               | —                                                | HU664AWK                                                            | —                         | 60  | —     | 125 | —   | 150 | —       | —       |

SAFETY SWITCHES

3

[19] For Rainproof Bolt-On Hubs and Watertight Hubs see Hubs, page 3-14.  
 [20] Complete rating is NEMA Type 3, 3R, 4, 4X, 5 and 12.  
 [21] For 316 stainless, see 316 Grade Stainless Steel—NEMA Type 3, 3R, 4, 4X, 5, 12, page 3-11.  
 [22] Also suitable for NEMA Type 3R application by removing drain screw from bottom endwall.  
 [23] For switching dc, use two outside switching poles.  
 [24] Suitable for NEMA Type 5 applications with drain screw installed.  
 [25] Switches with EI suffix are stocked with factory-installed electrical interlocks with one normally-open and one normally-closed contact.  
 [26] Use 60 A enclosure accessories, including electrical interlocks.  
 [27] Not suitable for use as service equipment.  
 [28] No knockouts are provided.  
 [29] Requires 60 A accessories. See NEMA Type 4, 4X, 5, 7, 9, and 12, page 3-21 for series rating.  
 [30] HU461AWK (Series F6) is rated 5 hp@250 Vdc, 15 hp@600 Vdc.

UL Listed Maximum Short Circuit Current Ratings—AC only

Table 3.16: Fusible Safety Switches

NOTE: Consult the wiring diagram of the switch to verify the UL Listed short circuit current rating.

| Heavy Duty Safety Switch Type | UL Listed Fuse Class | UL Listed Short Circuit Current Ratings |
|-------------------------------|----------------------|-----------------------------------------|
| Fusible                       | H, K                 | 10 kA                                   |
|                               | R, J, L              | 200 kA [31]                             |

Non-Fusible Safety Switches

**Systems equal or less than 10 kAIR SCCR**—Any brand of circuit breaker or fuse not exceeding the ampere rating of the switch may be used in conjunction with a non-fusible safety switch.

**Systems above 10 kAIR SCCR**—The UL Listed short circuit current rating for Square D non-fusible switches is based upon the switch being used in conjunction with fuses or Square D circuit breakers or Mag-Gard motor circuit protectors.

Table 3.17: Non-Fusible Safety Switches [32] [33]

| Switch Rating (A)                               | Fuse or Circuit Breaker Type [34] | 3-Phase |         |         | 250 Vdc / 600 Vdc |
|-------------------------------------------------|-----------------------------------|---------|---------|---------|-------------------|
|                                                 |                                   | 240 Vac | 480 Vac | 600 Vac |                   |
| <b>With Upstream Fuse Protection</b>            |                                   |         |         |         |                   |
| All                                             | H, K                              | 10 kA   | 10 kA   | 10 kA   | Up to 10 kA       |
|                                                 | R, T, J, L                        | 200 kA  | 200 kA  | 200 kA  |                   |
| <b>With Upstream Circuit Breaker Protection</b> |                                   |         |         |         |                   |
| All                                             | Any brand circuit breaker         | 10 kA   | 10 kA   | 10 kA   | Up to 10 kA       |
| 30–100                                          | HD                                | 25 kA   | 18 kA   | 14 kA   |                   |
| 30–100                                          | HG                                | 65 kA   | 35 kA   | 18 kA   |                   |
| 30–100                                          | HJ                                | 65 kA   | 35 kA   | 25 kA   |                   |
| 30–100                                          | HL                                | 65 kA   | 35 kA   | 35 kA   |                   |
| 30–100                                          | HR                                | 65 kA   | 35 kA   | 35 kA   |                   |
| 30–100                                          | FA                                | 14 kA   | 14 kA   | 14 kA   |                   |
| 30–100                                          | FH                                | 18 kA   | 18 kA   | 18 kA   |                   |
| 200                                             | HD, JD                            | 25 kA   | 18 kA   | 14 kA   |                   |
| 200                                             | HG, JG                            | 65 kA   | 35 kA   | 18 kA   |                   |
| 200                                             | HJ, JJ                            | 65 kA   | 35 kA   | 25 kA   |                   |
| 200                                             | HL, JL                            | 65 kA   | 35 kA   | 35 kA   |                   |
| 200                                             | HR, JR                            | 65 kA   | 35 kA   | 35 kA   |                   |
| 400                                             | LA                                | 22 kA   | 22 kA   | 22 kA   |                   |
| 400                                             | LH                                | 25 kA   | 25 kA   | 25 kA   |                   |
| 400–600                                         | LD                                | 25 kA   | 18 kA   | 14 kA   |                   |
| 400–600                                         | LG                                | 65 kA   | 35 kA   | 18 kA   |                   |
| 400–600                                         | LJ                                | 100 kA  | 65 kA   | 25 kA   |                   |
| 400–600                                         | LL                                | 100 kA  | 65 kA   | 50 kA   |                   |
| 400–600                                         | LR                                | 100 kA  | 65 kA   | 65 kA   |                   |

[31] On 600 V, 200 A switches, 100,000 A max. on corner grounded delta when protected by Class J or R fuses.

[32] For NEMA Type 4X Fiberglass Reinforced Polyester switches, see page 3-11.

[33] NEMA Type 7/9 SCCR 10 kAIR 600 Vac maximum.

[34] Ampere rating of fuse or circuit breaker not to exceed switch ampere rating.

**Special Application Heavy Duty Safety Switches**

**316 Grade Stainless Steel—NEMA Type 3, 3R, 4, 4X, 5, 12**

316 stainless steel enclosure safety switches offer superior corrosion resistance to a wider range of chemicals than 304 stainless switches. 316 better resists chloride and is often used in marine, waste treatment and transportation applications. Use watertight hubs, see Hubs, page 3-14. Equipment grounding lugs are supplied as standard through 200 A. See Table 3.42 Terminal Lug Data, page 3-19 for wire Termination data for grounding lugs. (For 304 stainless switches, see 240 Volt, page 3-7 and 600 Volt, page 3-8.



H361SS

**Table 3.18: 316 Grade Stainless Steel 3 Pole 600 Vac, 600 Vdc**

| Amperes                                 | Cat. No | Horsepower Ratings— 3Ø |      |              |      |              |
|-----------------------------------------|---------|------------------------|------|--------------|------|--------------|
|                                         |         | 480 Vac [35]           |      | 600 Vac [35] |      | 600 Vdc [36] |
|                                         |         | Std.                   | Max. | Std.         | Max. | Max.         |
| <b>Fusible—3P, 600 Vac, 600 Vdc</b>     |         |                        |      |              |      |              |
| 30                                      | H361SS  | 5                      | 15   | 7-1/2        | 20   | 15           |
| 60                                      | H362SS  | 15                     | 30   | 15           | 50   | 30           |
| 100                                     | H363SS  | 25                     | 60   | 30           | 75   | 50           |
| 200                                     | H364SS  | 50                     | 125  | 60           | 150  | 50           |
| 400                                     | H365SS  | 100                    | 250  | 125          | 350  | 50           |
| 600                                     | H366SS  | 150                    | 400  | 200          | 500  | 50           |
| <b>Non-Fusible—3P, 600 Vac, 600 Vdc</b> |         |                        |      |              |      |              |
| 30                                      | HU361SS | —                      | 20   | —            | 30   | 15           |
| 60                                      | HU362SS | —                      | 50   | —            | 60   | 30           |
| 100                                     | HU363SS | —                      | 75   | —            | 100  | 50           |
| 200                                     | HU364SS | —                      | 125  | —            | 150  | 50           |
| 400                                     | HU365SS | —                      | 250  | —            | 350  | 50           |
| 600                                     | HU366SS | —                      | 400  | —            | 500  | 50           |

**Fiberglass Reinforced Polyester Enclosures—NEMA Type 4X**

Fiberglass reinforced polyester enclosures are watertight, corrosion resistant, and impervious to windblown dust, rain, and splashing liquid. The molded fiberglass is extremely stable in a wide range of operating temperatures and can withstand heavy impact. Switches are furnished with hubs, conduit provisions Table 3.43, and equipment grounding lugs. See CAD drawings of the switch to verify the UL listed short circuit current rating or the enclosed safety switch catalog. UL Listed.



H363DF

**Table 3.19: Fiberglass Reinforced Polyester Enclosures NEMA Type 4X 3 Pole 600 Vac, 600 Vdc**

| Amperes                                 | Cat. No. | Solid Neutral Assembly Kit | Class R Fuse Kits | Electrical Interlock Kits Field-Installed Cat. No. |                    | Horsepower Ratings— 3Ø |              |       |              |      | Hubs [37] |              |
|-----------------------------------------|----------|----------------------------|-------------------|----------------------------------------------------|--------------------|------------------------|--------------|-------|--------------|------|-----------|--------------|
|                                         |          |                            |                   | Cat. No.                                           | 1 NO/1 NC Contacts | 2 NO/2 NC Contacts     | 480 Vac [35] |       | 600 Vac [35] |      |           | 600 Vdc [36] |
|                                         |          |                            |                   |                                                    |                    |                        | Std.         | Max.  | Std.         | Max. |           | Max.         |
| <b>Fusible—3P, 600 Vac, 600 Vdc</b>     |          |                            |                   |                                                    |                    |                        |              |       |              |      |           |              |
| 30                                      | H361DF   | SN03                       | RFK06             | 9999TC10                                           | 9999TC20           | 5                      | 15           | 7-1/2 | 20           | 15   | 3/4       |              |
| 60                                      | H362DF   | SN03                       | RFK06H            | 9999TC10                                           | 9999TC20           | 15                     | 30           | 15    | 50           | 30   | 1-1/4     |              |
| 100                                     | H363DF   | SN0610                     | RFK10             | 9999TC10                                           | 9999TC20           | 25                     | 60           | 30    | 75           | 50   | 2         |              |
| 200                                     | H364DF   | —                          | HRK1020           | 9999R8                                             | 9999R9             | 50                     | 125          | 60    | 150          | 50   | 2-1/2     |              |
| <b>Non-Fusible—3P, 600 Vac, 600 Vdc</b> |          |                            |                   |                                                    |                    |                        |              |       |              |      |           |              |
| 30                                      | HU361DF  | SN03                       | —                 | 9999TC10                                           | 9999TC20           | —                      | 20           | —     | 30           | 15   | 3/4       |              |
| 60                                      | HU362DF  | SN03                       | —                 | 9999TC10                                           | 9999TC20           | —                      | 50           | —     | 60           | 30   | 1-1/4     |              |
| 100                                     | HU363DF  | SN0610                     | —                 | 9999TC10                                           | 9999TC20           | —                      | 75           | —     | 75           | 50   | 2         |              |
| 200                                     | HU364DF  | —                          | —                 | 9999R8                                             | 9999R9             | —                      | 125          | —     | 150          | 50   | 2-1/2     |              |

[35] Std.—Using fast acting, one time fuses. Max.—Using dual element time delay fuses.

[36] For switching dc use two switching poles.

[37] Two hubs and hub drilling template are provided for field installation.

**Krydon™ Enclosures—NEMA Type 4X**

Krydon enclosures are compression molded of fiberglass reinforced polyester, specially formulated to withstand attack from almost any corrosive atmosphere found in the toughest industrial application. Switches are furnished with watertight hubs and equipment grounding lugs. See CAD drawing of the switch to verify the UL listed short circuit current rating or the enclosed safety switch catalog. UL Listed.



H361DX

**Table 3.20: Krydon™ Enclosures — NEMA Type 4X 3 Pole 600 Vac, 600 Vdc**

| Amperes                                 | Cat. No. | Solid Neutral Assembly Kit | Class R Fuse Kits | Electrical Interlock Kits Field-Installed Cat. No. |                   | Horsepower Ratings—3Ø |              |       |              |    | Hubs [38] |
|-----------------------------------------|----------|----------------------------|-------------------|----------------------------------------------------|-------------------|-----------------------|--------------|-------|--------------|----|-----------|
|                                         |          |                            |                   | Cat. No.                                           | 1 NO/1 NC Contact | 2 NO/2 NC Contacts    | 480 Vac [39] |       | 600 Vac [39] |    |           |
|                                         |          |                            | Std.              |                                                    | Max.              | Std.                  | Max.         | Max.  |              |    |           |
| <b>Fusible—3P, 600 Vac, 600 Vdc</b>     |          |                            |                   |                                                    |                   |                       |              |       |              |    |           |
| 30                                      | H361DX   | H60SN                      | RFK06             | 9999TC10                                           | 9999TC20          | 5                     | 15           | 7-1/2 | 20           | 15 | 3/4       |
| 60                                      | H362DX   | H60SN                      | RFK06H            | 9999TC10                                           | 9999TC20          | 15                    | 30           | 15    | 50           | 30 | 1-1/4     |
| 100                                     | H363DX   | SN0610                     | RFK10             | 9999TC10                                           | 9999TC20          | 25                    | 60           | 30    | 75           | 50 | 2         |
| <b>Non-Fusible—3P, 600 Vac, 600 Vdc</b> |          |                            |                   |                                                    |                   |                       |              |       |              |    |           |
| 30                                      | HU361DX  | H60SN                      | —                 | 9999TC10                                           | 9999TC20          | —                     | 20           | —     | 30           | 15 | 3/4       |
| 60                                      | HU362DX  | H60SN                      | —                 | 9999TC10                                           | 9999TC20          | —                     | 50           | —     | 60           | 30 | 1-1/4     |
| 100                                     | HU363DX  | SN0610                     | —                 | 9999TC10                                           | 9999TC20          | —                     | 75           | —     | 75           | 50 | 2         |

**NEMA Type 7 and 9**

An enclosed automatic molded case switch for use in Divisions 1 and 2 of the following: Class I, Groups C and D; Class II, Groups E, F and G; or Class III, Hazardous Locations as defined in NEC™ Article 500. Furnished with threaded conduit openings in both top and bottom endwall. Suitable for use as service equipment and listed as “Raintight” for outdoor applications. cULus Listed. Equipment grounding lugs supplied as standard. See CAD drawing of the switch to verify the UL listed short circuit current rating or the enclosed safety switch catalog.



H60XFA

**Table 3.21: NEMA Type 7/9, 3 Pole Molded Case Switch, 600 Vac, 250 Vdc [41], Short Circuit Current Rating 10 kA AIR**

| Amperes | Enclosed Molded Case Switch [42] | Solid Neutral Assembly | Horsepower Ratings—3Ø |         |         | Size of Threaded Conduit Openings Provided (in.) [43] |
|---------|----------------------------------|------------------------|-----------------------|---------|---------|-------------------------------------------------------|
|         | Cat. No.                         | Cat. No.               | 240 Vac               | 480 Vac | 600 Vac |                                                       |
| 60      | H60XFA                           | 100SNA                 | 15                    | 30      | 50      | 3/4                                                   |
| 60      | H60XFA1212 [44]                  | 100SNA                 | 15                    | 30      | 50      | 3/4                                                   |
| 100     | H100XFA                          | 100SNA                 | 30                    | 60      | 75      | 1-1/4                                                 |
| 100     | H100XFA1212 [44]                 | 100SNA                 | 30                    | 60      | 75      | 1-1/4                                                 |
| 225     | H225XJG [45]                     | 225SNA                 | 60                    | 125     | 150     | 2-1/2                                                 |
| 225     | H225XJGAA [45] [44]              | 225SNA                 | 60                    | 125     | 150     | 2-1/2                                                 |

[38] Two hubs and hub drilling template are provided for field installation.  
 [39] Std.—Using fast acting one time fuses. Max.—Using dual element time delay fuses.  
 [40] For switching dc, use two outside switching poles.  
 [41] For switching dc, use two outside switching poles. Not for use on dc motor applications.  
 [42] Includes PKDB1, breather and drain kit, required for rainproof application.  
 [43] Threaded conduit opening provided in top and bottom endwall.  
 [44] Includes 1NO/1NC auxiliary contacts.  
 [45] Not cULus listed due to wire bending space.

**Interlocked Receptacle Switches**

**Interlocked Receptacle Switches** [46] are furnished with a factory-installed three-phase four-wire Appleton Powertite™, Crouse-Hinds Style 2 Arktite™, or Hubbellock™ receptacle. The fourth wire is connected to the switch equipment grounding terminal and is not a solid neutral termination. Interlocking linkage between the receptacle and switch mechanism prevents insertion or removal of the plug while the switch is in the “ON” position or insertion of any plug other than specified. Grounding lugs are included. See wiring diagram of the switch to verify the UL listed short circuit current rating or the enclosed safety switch catalog.

**Appleton Powertite Receptacle**

- UL Listed and CSA Certified
- Available in 30 -100 A, 600 Vac/250 Vdc, fused or non-fused, NEMA Type 1, NEMA Type 4/4X/5 stainless steel and NEMA Type 12/3R
- Suitable for use as service equipment (USA only)
- Receptacles are epoxy powder coated over copper-free cast aluminum



H362AWA  
Interlocked Receptacle  
Switch with Appleton  
Powertite Receptacle

**Table 3.22: Appleton Powertite Receptacle Switches**

| Amperes                                 | NEMA Type 1 | NEMA Type 3, 3R, 4, 4X, 5, 12 304 Stainless Steel Enclosure | NEMA Type 12, 3R | Use with Plug [47] | Horsepower Ratings—3Ø |      |              |      |              |      |
|-----------------------------------------|-------------|-------------------------------------------------------------|------------------|--------------------|-----------------------|------|--------------|------|--------------|------|
|                                         |             |                                                             |                  |                    | 480 Vac [48]          |      | 600 Vac [48] |      | 250 Vdc [49] |      |
|                                         |             |                                                             |                  |                    | Std.                  | Max. | Std.         | Max. | Std.         | Max. |
| <b>Fusible—3P, 600 Vac, 250 Vdc</b>     |             |                                                             |                  |                    |                       |      |              |      |              |      |
| 30                                      | H361WA      | H361DSWA                                                    | H361AWA          | ACP3034BC          | 5                     | 15   | 7-1/2        | 20   | 5            | —    |
| 60                                      | H362WA      | H362DSWA                                                    | H362AWA          | ACP6034BC          | 15                    | 30   | 15           | 50   | 10           | —    |
| 100                                     | H363WA      | H363DSWA                                                    | H363AWA          | ACP1034CD          | 25                    | 60   | 30           | 75   | 20           | —    |
| <b>Non-Fusible—3P, 600 Vac, 250 Vdc</b> |             |                                                             |                  |                    |                       |      |              |      |              |      |
| 30                                      | HU361WA     | HU361DSWA                                                   | HU361AWA         | ACP3034BC          | —                     | 20   | —            | 30   | —            | 5    |
| 60                                      | HU362WA     | HU362DSWA                                                   | HU362AWA         | ACP6034BC          | —                     | 50   | —            | 60   | —            | 10   |
| 100                                     | HU363WA     | HU363DSWA                                                   | HU363AWA         | ACP1034CD          | —                     | 75   | —            | 100  | —            | 20   |

**Table 3.23: Appleton Powertite 600 Vac Short Circuit Current Rating**

| Amperes                                 | 10 kAIR Fuses | 100 kAIR Fuses | 200 kAIR Fuses | 14 kAIR Circuit Breaker | 18kAIR Circuit Breaker |
|-----------------------------------------|---------------|----------------|----------------|-------------------------|------------------------|
| <b>Fusible—3P, 600 Vac, 250 Vdc</b>     |               |                |                |                         |                        |
| 30                                      | H, K          | —              | J, R           | —                       | —                      |
| 60                                      | H, K          | —              | J, R           | —                       | —                      |
| 100                                     | H, K          | —              | J, R           | —                       | —                      |
| <b>Non-Fusible—3P, 600 Vac, 250 Vdc</b> |               |                |                |                         |                        |
| 30                                      | H, K          | J, R, T [50]   | J, R, T        | FA                      | FH                     |
| 60                                      | H, K          | —              | J, R, T        | FA                      | FH                     |
| 100                                     | H, K          | —              | J, R, T        | FA                      | FH                     |

**Crouse-Hinds Arktite Receptacle**

- UL Listed
- Available in 30 -100 A, 600 Vac/250 Vdc, fused or non-fused, NEMA Type 1, NEMA Type 4/4X/5 stainless steel and NEMA Type 12/3R
- Suitable for use as service equipment
- Receptacles are cast aluminum, copper free for NEMA Type 1 and NEMA Type 12/3R safety switches
- Receptacles are epoxy powder coated, copper free cast aluminum for NEMA Type 4/ 4X/5 stainless steel safety switches



H362AWC  
Interlocked Receptacle  
Switch with Crouse-Hinds  
Arktite Receptacle

**Table 3.24: Crouse-Hinds Arktite Safety Switch**

| Amperes                                 | NEMA Type 1 | NEMA Type 4, 4X, 5 304 Stainless Steel Enclosure | NEMA Type 12, 3R | Use with Plug | Horsepower Ratings—3Ø |      |              |      |              |      |
|-----------------------------------------|-------------|--------------------------------------------------|------------------|---------------|-----------------------|------|--------------|------|--------------|------|
|                                         |             |                                                  |                  |               | 480 Vac [48]          |      | 600 Vac [48] |      | 250 Vdc [49] |      |
|                                         | Cat. No.    | Cat. No.                                         | Cat. No.         | Cat. No.      | Std.                  | Max. | Std.         | Max. | Std.         | Max. |
| <b>Fusible—3P, 600 Vac, 250 Vdc</b>     |             |                                                  |                  |               |                       |      |              |      |              |      |
| 30                                      | H361WC      | H361DSWC                                         | H361AWC          | APJ3485       | 5                     | 15   | 7-1/2        | 20   | 5            | —    |
| 60                                      | H362WC      | H362DSWC                                         | H362AWC          | APJ6485       | 15                    | 30   | 15           | 50   | 10           | —    |
| 100                                     | H363WC      | H363DSWC                                         | H363AWC          | APJ10487      | 25                    | 60   | 30           | 75   | 20           | —    |
| <b>Non-Fusible—3P, 600 Vac, 250 Vdc</b> |             |                                                  |                  |               |                       |      |              |      |              |      |
| 30                                      | HU361WC     | HU361DSWC                                        | HU361AWC         | APJ3485       | —                     | 20   | —            | 30   | —            | 5    |
| 60                                      | HU362WC     | HU362DSWC                                        | HU362AWC         | APJ6485       | —                     | 50   | —            | 60   | —            | 10   |
| 100                                     | HU363WC     | HU363DSWC                                        | HU363AWC         | APJ10487      | —                     | 60   | —            | 100  | —            | 20   |

[46] Accessories and Special Features, page 3-14

[47] Receptacle UL listed for use with Appleton™ ACP or CPH plugs; UL Classified for use with Crouse-Hinds APJ Arktite™ plugs. (see Table 3.24.)

[48] Std.—Using fast acting one time fuses. Max.—Using dual element time delay fuses.

[49] For switching dc, use two outside switching poles.

[50] SCCR when using 60 Amp Max fuse.

**Table 3.25: Crouse-Hinds 600 Vac Short Circuit Current Rating**

| Amperes                                 | 10 kAIR Fuses | 100 kAIR Fuses | 200 kAIR Fuses | 14 kAIR Circuit Breaker | 18kAIR Circuit Breaker |
|-----------------------------------------|---------------|----------------|----------------|-------------------------|------------------------|
| <b>Fusible—3P, 600 Vac, 250 Vdc</b>     |               |                |                |                         |                        |
| 30                                      | H, K          | —              | J, R           | —                       | —                      |
| 60                                      | H, K          | —              | J, R           | —                       | —                      |
| 100                                     | H, K          | —              | J, R           | —                       | —                      |
| <b>Non-Fusible—3P, 600 Vac, 250 Vdc</b> |               |                |                |                         |                        |
| 30                                      | H, K          | J, R, T [51]   | J, R, T        | FA                      | FH                     |
| 60                                      | H, K          | —              | J, R, T        | FA                      | FH                     |
| 100                                     | H, K          | —              | J, R, T        | FA                      | FH                     |

**Hubbellock Receptacle**



H362AWH Interlocked Receptacle Switch with Hubbell™ Hubbellock Receptacle

- UL Listed
- Available in 30 - 100 A, 600 Vac/250 Vdc, fused or non-fused, NEMA Type 1, and NEMA Type 12
- Suitable for use as service equipment [52]
- Receptacles are zinc plated steel for NEMA Type 1 and 12 safety switches
- Short Circuit Current Rating for fusible switches is 10 kAIR maximum when used with Class H, K, J or R fuses
- Short Circuit Current Rating for non-fusible switches is 10 kAIR maximum when protected by Class H, K, J, R or T fuses

**Table 3.26: Hubbellock Receptacle Safety Switch**

| Amperes                        | NEMA Type 1 Cat. No. | NEMA Type 12 Cat. No. | Use with Plug[53] Cat. No. | Horsepower Ratings—3Ø |      |              |      |
|--------------------------------|----------------------|-----------------------|----------------------------|-----------------------|------|--------------|------|
|                                |                      |                       |                            | 480 Vac [54]          |      | 600 Vac [54] |      |
|                                |                      |                       |                            | Std.                  | Max. | Std.         | Max. |
| <b>Fusible—3P, 600 Vac</b>     |                      |                       |                            |                       |      |              |      |
| 60                             | H362WH               | H362AWH               | SD12781                    | 15                    | 30   | 15           | 50   |
| <b>Non-Fusible—3P, 600 Vac</b> |                      |                       |                            |                       |      |              |      |
| 60                             | HU362WH              | HU362AWH              | SD12781                    | —                     | 50   | —            | 60   |

Square D by Schneider Electric brand heavy duty safety switches are UL listed for use with the following accessories:

**Rainproof Bolt-On Hubs**



- UL Listed for indoor or rainproof applications
- Suitable for use with conduit having ANSI standard taper pipe thread
- NEMA Type 3R switches with catalog number ending in RB have a bolt-on closing cap factory installed
  - Accepts 3/4 in. through 2-1/2 in. bolt-on hubs
  - No gaskets required
- NEMA Type 3R switches with R suffix have blank top endwalls
  - Accepts 3 in. through 4 in. bolt on hubs
  - Gaskets provided
  - Conduit entry holes must be cut in the field

**Table 3.27: Rainproof Bolt-On Hubs [55]**

| Conduit Size | 3/4  | 1    | 1-1/4 | 1-1/2 | 2    | 2-1/2 | 3    | 4    | Closing Cap |
|--------------|------|------|-------|-------|------|-------|------|------|-------------|
| Hub Cat. No. | B075 | B100 | B125  | B150  | B200 | B250  | B300 | B400 | BCAP        |

**Watertight Hubs**



Watertight Hubs

- UL Listed for dusttight and watertight applications
- Suitable for use with conduit having ANSI standard taper pipe thread
- Watertight hubs are field installed on NEMA Type 4/4X/5 stainless steel and NEMA Type 12/3R and 12K enclosures
- Watertight hubs are available in zinc or chrome plated finish
- Gaskets provided

**Table 3.28: Watertight Hubs [56]**

| Conduit Size               | 1/2    | 3/4    | 1      | 1-1/4  | 1-1/2  | 2      | 2-1/2 | 3    | 3-1/2 | 4    |
|----------------------------|--------|--------|--------|--------|--------|--------|-------|------|-------|------|
| Standard-Zinc Hub Cat. No. | H050   | H075   | H100   | H125   | H150   | H200   | H250  | H300 | H350  | H400 |
| Chrome Plated Hub Cat. No. | H050CP | H075CP | H100CP | H125CP | H150CP | H200CP | —     | —    | —     | —    |

[51] SCCR when using 60 Amp Max fuse.

[52] Receptacle only rated for NEMA Type 1 and 12 applications.

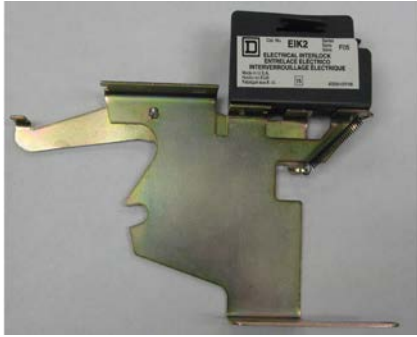
[53] Hubbell plug is furnished with a Kellems grip for 1-1/2 in. to 1-21/64 in. cable diameter.

[54] Std.—Using fast acting one time fuses. Max.—Using dual element time delay fuses.

[55] Gaskets are provided on 3 in. and larger hubs.

[56] Gaskets are provided.





EIK2 Electrical Interlock Kit

### Electrical Interlock Kits

Electrical interlocks for heavy duty safety switches 30 A through 1200 A are available factory installed or in kit form for field installation. A pivot arm operates from the switch mechanism, breaking the control circuit before the main switch blades break. For factory-installed electrical interlocks add EI (for one contact) or EI2 (for two contacts) suffix to catalog number. See Supplemental Digest Section 2 for electrical interlock contact ratings. UL Listed, factory or field installed.

**Table 3.29: Electrical Interlock Kit** [57] [58]

| Switch's Amperes Rating            | Series Number [59] | Electrical Interlock Kit Cat. No. [60] |
|------------------------------------|--------------------|----------------------------------------|
| 30                                 | F5-F6              | EIK031                                 |
|                                    |                    | EIK032                                 |
|                                    |                    | EIK1                                   |
| 60 (600 V)                         | F5-F6              | EIK2                                   |
|                                    |                    | EIK031                                 |
|                                    |                    | EIK032                                 |
| 60 (240 V)                         | F5-F6              | EIK1                                   |
|                                    |                    | EIK2                                   |
|                                    |                    | EIK1                                   |
| 30-100 Receptacle Switches         | F5-F7              | EIK2                                   |
|                                    |                    | EIK1                                   |
|                                    |                    | EIK2                                   |
| 30-200 Four- and Six-Pole Switches | F5-F6              | EIK1                                   |
|                                    |                    | EIK2                                   |
|                                    |                    | EIK40601                               |
| 400-1200                           | E4-E5              | EIK40602                               |

### Class R Fuse Kits

When installed, this kit rejects all but Class R fuses. Kits are available for field installation. One kit required for a three pole switch. For factory installation, add "CLR" suffix to catalog number.

**Table 3.30: 240 Vac — Class R Fuse Kits** [61]

| Amperes | Series Number | Class R Fuse Kit Cat. No. |
|---------|---------------|---------------------------|
| 30      | F5-F6         | RFK03L                    |
| 60      | F5-F6         | RFK03H                    |
| 100     | F5-F6         | RFK10                     |
| 200     | F5-F6         | HRK1020                   |
| 400-600 | E4-E5         | HRK4060                   |

**Table 3.31: 600 Vac — Class R Fuse Kits** [61] [62]

| Amperes                  | Series Number | Class R Fuse Kit Cat. No. |
|--------------------------|---------------|---------------------------|
| 30 [63]                  | F5-F6         | RFK03H                    |
| 30 A Receptacle Switches | F7            | RFK06                     |
| 30 A Four-Pole Switches  | F5-F6         | RFK06                     |
| 60                       | F5-F7         | RFK06H                    |
| 100                      | F5-F7         | RFK10                     |
| 200                      | F5-F6         | HRK1020                   |
| 400-600                  | E4-E5         | HRK4060                   |

### Internal Barrier Kits

**Internal Barrier Kits** provide an additional barrier that helps prevent accidental contact with live parts. Field-installed transparent barriers do not restrict visual inspection of the switch. Barriers provide IEC529 IP2X "finger safe" protection when door of enclosed disconnect switch is open. Convenient door allows use of test probes without accessing fuses and replacement of fuses without removing barrier. For use with three-pole switches.

**Table 3.32: Internal Barrier Kits**

| Cat. No. | Description                                                 | Safety Switch Application (F Series Only) |
|----------|-------------------------------------------------------------|-------------------------------------------|
| SS03     | Interior Barrier for 30 A and 240 V 60 A Safety Switch [64] | 240 / 600 Vac – 30 A<br>240 Vac – 60 A    |
| SS06     | Interior Barrier for 600 V, 60 A Safety Switch              | 600 Vac – 60 A                            |
| SS10     | Interior Barrier for 240 / 600 V, 100 A Safety Switch       | 240 / 600 Vac – 100 A                     |
| SS20     | Interior Barrier for 240 / 600 V, 200 A Safety Switch       | 240 / 600 Vac – 200 A                     |

[57] For series not shown in table refer to the switch wiring diagram.

[58] Electrical interlocks for NEMA Type 4X fiberglass reinforced polyester and Krydon™ see Table 3.19 and Table 3.20 respectively.

[59] See page 3-20 and page 3-21 for safety switch series.

[60] Electrical interlock kit catalog numbers ending in 1 indicates one normally open and one normally closed contact. These kits use a 9007A01 industrial snap switch. Electrical interlock kit catalog numbers ending in 2 indicates two normally open and two normally closed contacts. These kits use a 9007C03 industrial snap switch.

[61] For series not shown in the table, refer to the switch wiring diagram.

[62] Class R Fuse Kits for Fiberglass Reinforced Polyester enclosures and Krydon™ enclosures see Table 3, page 3-11 and Table 5, page 3-12 respectively.

[63] H361-2, H361-2A, H361-2AWK and H361-2RB use RFK06.

[64] Requires arc shield on 240 V switches be changed to 600 V arc suppressor. Contact the Customer Care Center at 1-888-778-2733 for the arc suppressor part number.



Fuse Puller Kits

### Fuse Puller Kits

Fuse Puller Kits are standard equipment on the following 30 A - 100 A switches: NEMA Type 12 and 12K, NEMA Type 4/4X/5 stainless steel, NEMA Type 4X fiberglass reinforced polyester and Krydon™.

Fuse Puller Kit available for field installation on NEMA Type 1 and NEMA Type 3R, 30 A - 100 A switches. One Fuse Puller Kit required for a 3 pole fusible 240 V or 600 V heavy duty switch. Fuse Puller Kits can be field installed on switches manufactured since February 1980.

| Amperes | Series Number [65] | Fuse Puller Kit Cat. No. |
|---------|--------------------|--------------------------|
| 30      | F5-F7              | FPK03 [66]               |
| 60      | F5-F7 (600 V)      | FPK0610                  |
| 60      | F5 (240 V)         | FPK03                    |
| 100     | F5-F7              | FPK0610                  |

### Solid Neutral Assembly Kits

Table 3.33: Solid Neutral Assembly Kits [65] [67] [68] [69]

| Amperes     | Series Number [70] | Standard Neutral Kit Cat. No. | Terminal Data AWG/kcmil                              | Optional Copper Only Neutral Kit Cat. No. | Terminal Data AWG/kcmil                                           |
|-------------|--------------------|-------------------------------|------------------------------------------------------|-------------------------------------------|-------------------------------------------------------------------|
| 30          | F5-F6              | SN03 [71]                     | (2) 14-3 Al/Cu plus<br>(1) 14-3 Al/Cu Svc Ground     | SN03C [71]                                | (2) 14-6 Cu plus<br>(1) 14-6 Cu Svc Ground                        |
| 60          | F5-F6,<br>(600 V)  | SN0610                        | (2) 14-1/0 Al/Cu plus<br>(2) 14-6 Al/Cu Svc Ground   | SN0610C                                   | (2) 14-1/0 Cu plus<br>(2) 14-6 Cu Svc Ground                      |
|             | F5-F6<br>(240 V)   | SN03                          | (2) 14-3 Al/Cu plus<br>(1) 14-3 Al/Cu Svc Ground     | SN03C                                     | (2) 14-1/0 Cu plus<br>(2) 14-6 Cu Svc Ground                      |
| 100         | F5-F6,             | SN0610                        | (2) 14-1/0 Al/Cu plus<br>(2) 14-6 Al/Cu Svc Ground   | SN0610C                                   | (2) 14-1/0 Cu plus<br>(2) 14-6 Cu Svc Ground                      |
| 200 [72]    | F5-F6              | SN20A                         | (2) 6-250 Al/Cu plus<br>(1) 14-10 Al/Cu Svc Ground   | SN20C                                     | (2) 6-250 Cu plus<br>(1) 14-1/0 Cu Svc Ground                     |
| 400 and 600 | E4-E5              | H600SN                        | (4) 1-750 Al/Cu plus<br>(1) 4-300 Al/Cu Svc Ground   | H600SNC                                   | (2) 1-600 Cu plus<br>(2) 4-350 Cu plus<br>(2) 6-250 Cu Svc Ground |
| 800         | E4                 | H800SNE4                      | (6) 3/0-750 Al/Cu plus<br>(2) 6-350 Al/Cu Svc Ground | -                                         | -                                                                 |
| 1200        | E4                 | H1200SNE4                     | (8) 3/0-750 Al/Cu plus<br>(2) 6-350 Al/Cu Svc Ground | -                                         | -                                                                 |

### Equipment Grounding Kits

Equipment grounding kits are available for factory or field installation. For factory installation of equipment grounding kit, add suffix GL to standard Cat. No. (Example: H361GL).

Table 3.34: Equipment Grounding Kits and Terminal Data [73] [74]

| Amperes     | Series Number    | Standard Cat. No. | Terminal Data AWG/kcmil                                             | Optional Copper Only Cat. No. | Terminal Data AWG/kcmil          |
|-------------|------------------|-------------------|---------------------------------------------------------------------|-------------------------------|----------------------------------|
| 30          | F5-F6            | GTK03 [75]        | (2) 14-4 Cu or (2) 12-4 Al<br>or<br>(4) 14-12 Cu or (4) 12-10 Al    | GTK03C [75] [76]              | (2) 14-6 Cu                      |
| 60          | F5-F6<br>(600 V) | GTK0610           | (2) 14-1/0 Cu or (2) 12-1/0 Al<br>and<br>(2) 14-6 Cu or (2) 12-6 Al | GTK0610C                      | (2) 14-1/0 Cu and<br>(2) 14-6 Cu |
| 60          | F5-F6<br>(240 V) | GTK03             | (2) 14-4 Cu or (2) 12-4 Al<br>or<br>(4) 14-12 Cu or (4) 12-10 Al    | GTK03C                        | (2) 14-6 Cu                      |
| 100         | F5-F6            | GTK0610           | (2) 14-1/0 Cu or (2) 12-1/0 Al<br>and<br>(2) 14-6 Cu or (2) 12-6 Al | GTK0610C                      | (2) 14-1/0 Cu and<br>(2) 14-6 Cu |
| 200         | F5-F6            | PKOGTA2           | (2) 10-2/0 Cu or<br>(2) 6-2/0 Al                                    | PKOGTC2                       | (2) 14-4 Cu                      |
| 400 and 600 | E4-E5            | PKOGTA2 [77]      | (2) 10-2/0 Cu or<br>(2) 6-2/0 Al                                    | PKOGTC3                       | (4) 14-1/0 Cu                    |
| 800         | E4               | PKOGTA7           | (4) 4-350 Al/Cu                                                     | -                             | -                                |
| 1200        | E4               | PKOGTA8           | (8) 4-350 Al/Cu                                                     | -                             | -                                |

[65] For series not shown in chart refer to the switch wiring diagram.

[66] 30 A 4 pole, H361-2 and H361-2RB Series F5, H361WA and H361WC Series F6 use FPK0610.

[67] For solid Neutral Assembly Kits for Krydon™ enclosure see Table 3.20.

[68] For Solid Neutral Assembly Kits for Fiberglass Reinforced Polyester enclosures see Table 3.19.

[69] Neutrals cannot be installed in 4 or 6 pole switches or receptacle switches.

[70] See page 3-20 and page 3-21 for safety switch series.

[71] The following 30 A Series F5-F6 switches use SN0610 or SN0610C: H3612, H3612RB, H3612A, H3612AWK, HU3612, HU3612RB, HU3612A and HU3612AWK.

[72] For 200% neutral, order (2) SN20A Neutral Kits and (1) SN20NI Neutral Jumper Kit.

[73] For series not shown in table refer to the switch wiring diagram.

[74] Equipment Ground Kits (Al/Cu) are factory installed standard in 30-200 A Series F NEMA Type 4/4X/5 (stainless steel), 12 and 12K. Equipment Ground Kits are standard factory installed on all receptacle switches and all Series F 30-200 A, 4 and 6 pole switches.

[75] H2212AWK accepts GTK03 or GTK03C. H3612A or AWK accepts GTK03C. H3612 and H3612RB accepts GTK0610 HU3612AWK accepts GTK03C. HU3612A accepts GTK0610C. HU3612RB accepts GTK0610 or GTK0610C.

[76] Optional copper equipment grounding kit for the 4 and 6 pole 30 A F Series: H461DS, H461AWK, HU461DS, HU661DS and HU661AWK accepts GTK03C HU461AWK accepts GTK0610C.

[77] Two required if equipment grounding conductors are run in parallel.

### Special Paint and Touch-Up Paint

UL Listed heavy duty switches are available painted with special safety colors. To order safety colored switches, add suffixes from the Safety Colors table to the standard switch catalog number.

Not available on NEMA Type 4X Fiberglass, Krydon, NEMA Type 4/4X/5 Stainless Steel nor NEMA Type 7 and 9 switches.

All colors comply with OSHA Standard 1910.144 and ANSI Specification Z535.1 for marking physical hazards.

**Table 3.35: Safety Colors** [78]

| Safety Color | Suffix | Safety Color | Suffix   |
|--------------|--------|--------------|----------|
| Black        | SP0    | Blue         | SP6      |
| Red          | SP2    | Purple       | SP7      |
| Orange       | SP3    | Gray         | SP8 [79] |
| Yellow       | SP4    | Gray ANSI 61 | SP861    |
| Green        | SP5    | White        | SP9      |

**Table 3.36: Square D Gray Touch-Up Paint**

| Description                                                    | Cat. No. |
|----------------------------------------------------------------|----------|
| 12 oz. Aerosol Paint Can, Square D ANSI-49 Gray Touch-Up Paint | PK49SP   |

**NOTE:** Minimum quantity of 6 required.

### Lock-Off Guard Kits

 [80] [81]

Available factory- or field-installed the lock-off guard works by covering the lockout/tagout opening whenever the switch is in the ON position. This prevents a padlock from being inadvertently inserted into the switch lockplate. The device is designed to help prevent accidental misapplication of a lockout device. These kits are marked cURus (UL Component Recognized) for field or factory installation.

**Table 3.37: Lock-Off Guard Kits**

| Switch Rating | Cat. No. |
|---------------|----------|
| 30 A          | LOGK1    |
| 60 A 240 V    |          |
| 60 A 600 V    |          |
| 100 and 200 A | LOGK2    |



Optional Lock-OFF Guard Kit Installed



Key Interlock System

### Key Interlock Systems

Factory-installed only on heavy duty safety switches and double throw safety switches.

Interlocks are used to prevent the authorized operator from making an unauthorized operation. Not available on NEMA Type 4X Fiberglass, Krydon or NEMA Type 7 and 9 switches.

The key interlock system is a simple and easy method of applying individual key interlock units and assemblies to the above equipment so as to require operation in a predetermined sequence. UL Listed.

**Quoting:** Contact Schneider Electric for catalog number, availability, and pricing prior to quoting a job. Detailed information is required before an order can be processed. Please see Supplemental Digest Section 2 for further information.

#### Use these suffixes on switch catalog numbers:

- KI = 1 lock per switch
- KI2 = 1 lock with 2 cylinders (2 keys) per switch
- KIKI = 2 separate locks per switch

### Lock-ON Provisions

Lock-OFF provisions are standard on all heavy duty safety switches. Provision for one 3/8 inch hasp padlock is available factory-installed on 30–1200 A, NEMA Type 1, 3R, 4-4X-5 stainless steel 12 and 12K switches. Not available on NEMA Type 4X, Fiberglass, Krydon or NEMA Type 7 and 9 switches. This modification will allow the switch to be locked in the “ON” position. UL Listed.

To order, add suffix SPLO to standard catalog number. Example: H364-SPLO

[78] A minimum quantity of 10 is required.

[79] Standard Square D ANSI 49 grey paint, when selecting this suffix, switches will receive additional coat of paint.

[80] Available factory assembled or as a field installable kit on NEMA Type 1, 3R, 12 or 12K switches. Not available for use on NEMA Type 4X Fiberglass, Krydon, NEMA Type 4/4X/5 Stainless Steel nor NEMA Type 7 and 9 switches.

[81] For factory installation add suffix LOG to the standard switch catalog number.

### Cover Viewing Window

Optional cover viewing window is positioned over the blades to allow visual verification of "ON-OFF" status. Available on 30 through 1200 A heavy duty switches, NEMA Type 1, 3R, 4/4X/5 Stainless Steel, 12 and 12K. (Not available on NEMA Type 4X, Fiberglass, Krydon or NEMA Type 7 and 9 switches). Add VW suffix to the catalog number for factory installation.

### Voltage Monitors

Voltage monitors installed on safety switches indicate when voltage is present, helping to prevent arc-flash hazards and electric shocks during maintenance work. Voltage monitors can be combined with other safety features such as Key Interlock, Viewing Windows or Lock-ON provisions.



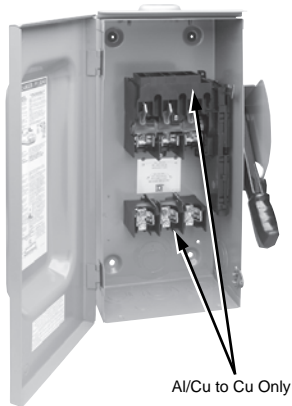
- UL Listed
- Factory installed only
- Order the voltage monitors by adding the appropriate suffix shown in the table below to the switch catalog number
- Not available on NEMA Type 7 and 9 and NEMA Type 4X Fiberglass and Krydon™ switches

**Table 3.38: Voltage Monitors** [82] [83] [84]

| Description                 | Suffix [85] |
|-----------------------------|-------------|
| Line Side Monitor           | SI          |
| Load Side Monitor           | LI          |
| Line and Load Side Monitors | LI2         |

### Copper Lug Kits

Lug kits that accept only copper wire are available for field or factory installation:



- UL Listed
- UL Marine Listed
  - UL Marine listing is applicable ONLY to 30 - 200 A, NEMA Type 12/3R, NEMA Type 12K and NEMA Type 4/4X/5 stainless steel, safety switches
  - When copper only lugs kits are factory installed the switch will bear the UL Marine mark and be suitable for use on vessels over 65 feet long
  - When the copper only lugs kits are field installed the switch will not bear the UL Marine mark and would not be suitable for use on vessels over 65 feet long
- Not available for use on NEMA Type 4X Fiberglass, Krydon or NEMA Type 7 and 9 switches
- For field installation, order copper lug kits. See Table below
- For factory installation of copper lugs, add the suffix SLC to the standard catalog number

**Table 3.39: Copper Lug Kits** [86]

| Amperes | Lug Kit Cat. No. | Lug Wire Range AWG/kcmil                |
|---------|------------------|-----------------------------------------|
| 30–60   | CL0306F          | (1) 14-8 Cu solid or 14-4 Cu stranded   |
| 100     | CL10F            | (1) 14-8 Cu solid or 14-1/0 Cu stranded |
| 200     | CL20F            | (1) 6-250 Cu                            |
| 400     | CL40F            | (1) 1-600 Cu plus (1) 6-250 Cu          |
| 600     | CL60F            | (1) 4-350 Cu                            |
| 800     | —                | —                                       |
| 1200    | —                | —                                       |

[82] Available on 30–1200 A Heavy Duty Safety Switches.

[83] Order 600 Vac Heavy Duty Safety Switch for all 30–60 A 240 Vac applications.

[84] Available on 30–200 A Double Throw Safety Switches. Two and three-pole, 200 A Type 3R switches are not available with these voltage monitors.

[85] In addition to the suffix shown in the table above, a 3 must be added to the switch catalog number for all 30 and 60 A switches, i.e. H361AWK becomes H3613AWKLI. 30 and 60 A switches require 100 A enclosure accessories. Double Throw Safety Switches are exempt from this requirement.

[86] One kit includes all phase line/load lugs for a 3-pole switch. CL0306F, CL10F and CL20F includes six lugs. CL40F and CL60F includes twelve lugs.

**Double Lug Kits**

200 A heavy duty F-series switches are supplied standard with lugs suitable for one wire per phase. For two wires per phase and neutral, order the Double Lug Kit.

Not UL Listed. Not listed on switch's wiring diagram as an accessory.

**Table 3.40: Double Lug Kits**

| Amperes | Cat. No. [87] | Lug Wire Range per Phase and Neutral AWG/kcmil | Wire Range Wire Bending Space per NEC Table 312.6 AWG/kcmil |
|---------|---------------|------------------------------------------------|-------------------------------------------------------------|
| 200     | AL20DTF       | (2) 6–300 Cu/Al                                | (2) 6–250 Cu/Al                                             |

**Compression Lug Kits — 800 A and 1200 A Safety Switches**

- UL Listed.
- Compression Lug Kits available for field installation
- Compression Lug Kits available for factory installation; Add suffix LK to standard catalog number
- Compression Lug Kits contain VCEL07512H1 Versa-Crimp™ compression lugs
- Order one Compression Lug Kit per switching pole and/or neutral (see Table below)

**Table 3.41: Compression Lug Kits**

| Amperes | Lug Kit Cat. No. | Conductors per Phase  | Lug Wire Range kcmil                       |
|---------|------------------|-----------------------|--------------------------------------------|
| 800     | H8LKE2           | (3) Line and (3) Load | 500-750 kcmil (Al)<br>or<br>500 kcmil (Cu) |
| 1200    | H12LKE2          | (4) Line and (4) Load | 500-750 kcmil (Al)<br>or<br>500 kcmil (Cu) |

**Table 3.42: Terminal Lug Data [88]**

| Rating (A) | Wires Per Phase and Neutral | Wire Range Wire Bending Space per NEC Table 312.6 AWG/kcmil | Lug Wire Range AWG/kcmil                 | Optional [89]/Compression Lug Field-Installed                | Optional Copper Only [89] Compression Lug Field-Installed [90]  |
|------------|-----------------------------|-------------------------------------------------------------|------------------------------------------|--------------------------------------------------------------|-----------------------------------------------------------------|
| 30         | 1                           | 12–6 (Al)<br>or<br>14–6 (Cu)                                | 12–2 (Al)<br>or<br>14–2 (Cu)             | C10–14,[91] D8–14–SK,<br>or<br>E6–14                         | —                                                               |
|            | 2                           | 12–10 (Al)<br>or<br>14–10 (Cu)                              |                                          |                                                              |                                                                 |
| 60 [92]    | 1                           | 12–3 (Al)<br>or<br>14–3 (Cu)                                | 12–2 (Al)<br>or<br>14–2 (Cu)             | C10–14,[91] D8–14–SK,<br>or<br>E6–14                         | —                                                               |
| 100 [93]   | 1                           | 12–1/0 (Al)<br>or<br>14–1/0 (Cu)                            | 12–1/0 (Al)<br>or<br>14–1/0 (Cu)         | VCEL02114S1                                                  | VCELC02114S1                                                    |
| 200 [94]   | 1                           | 6–250 (Al/Cu)                                               | 6–300 (Al/Cu)                            | VCEL030516H1                                                 | VCELC030516H1                                                   |
| 400 [95]   | 1                           | 1/0–750 (Al/Cu)<br>or<br>1/0–300 (Al/Cu)                    | 1/0–750 (Al/Cu)<br>or<br>1/0–300 (Al/Cu) | VCEL07512H1<br>or<br>VCEL030516H1 [96]<br>and<br>VCEL05012H1 | VCELC07512H1<br>or<br>VCELC030516H1 [97]<br>and<br>VCELC05012H1 |
|            | 2                           |                                                             |                                          |                                                              |                                                                 |
| 600        | 2                           | 3/0–500 (Al/Cu)                                             | 3/0–500 (Al/Cu)                          | VCEL05012H1                                                  | VCELC05012H1                                                    |
| 800        | 3                           | 3/0–750 (Al/Cu)                                             | 3/0–750 (Al/Cu)                          | H8LKE2 [98]                                                  | —                                                               |
| 1200       | 4                           | 3/0–750 (Al/Cu)                                             | 3/0–750 (Al/Cu)                          | H12LKE2 [98]                                                 | —                                                               |

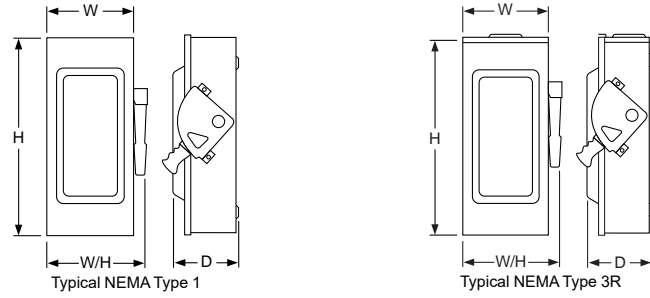
**Table 3.43: Conduit Provisions**

| Amperes | Top and Bottom Endwall                                       |                         |
|---------|--------------------------------------------------------------|-------------------------|
|         | NEMA Type 4X Fiberglass Reinforced Polyester and Krydon [99] | NEMA Type 7 and 9 [100] |
| 30      | 3/4 in.                                                      | —                       |
| 60      | 1-1/4 in.                                                    | 3/4 in.                 |
| 100     | 2 in.                                                        | 1-1/4 in.               |
| 200     | 2-1/2 in.                                                    | 2-1/2 in.               |

[87] Kit contains 3 lugs. Order two kits for line and load lugs.  
 [88] 30–100 A switches suitable for 60°C or 75°C conductors. 200–1200 A switches suitable for 75°C conductors.  
 [89] Hubbell Versa-Crimp™ unless otherwise noted.  
 [90] For NEMA Type 1, 12/3R, 12K and 4/4X/5 stainless steel switches only.  
 [91] Order from Thomas and Betts.  
 [92] H60XFA and H60XFA1212 — use 75°C copper wire only. #6 AWG copper wire required for 60 A rating.  
 [93] H100XFA and H100XFA1212 — use 75°C copper wire only. #3 AWG copper wire required for 100 A rating.  
 [94] H225XJG and H225XJGAA — use 75°C copper wire only. Lug wire range is #3 AWG – 350 kcmil. Not UL Listed due to inadequate wire bending space (5" on ON end, 6" on OFF end).  
 [95] Maximum wire bending space allows for (1) 600 kcmil or (2) 300 kcmil Al/Cu on NEMA Type 4/4X/5 stainless steel and NEMA Type 12 switches.  
 [96] Order two PK516KN mounting kits when installing VCEL030516H1 lugs. Only one kit is required on 2 pole switches. PK516KN consists of (4) 5/16-18 Keps Nuts.  
 [97] Order two PK516KN mounting kits when installing VCEL030516H1 or VCELC030516H1 lugs. Only one kit is required on 2 pole switches. PK516KN consists of (4) 5/16-18 Keps Nuts.  
 [98] For 800 and 1200 A compression lug kits see Table 3.41 for additional information.  
 [99] Hubs and hub drilling templates are provided for field-installation.  
 [100] Threaded conduit opening.

**NEMA Type 1 and 3R**

See Table 3.42 Terminal Lug Data, page 3-19 for terminal lug data for the series switches listed in the dimension table below.



**Table 3.44: Approximate Dimensions**

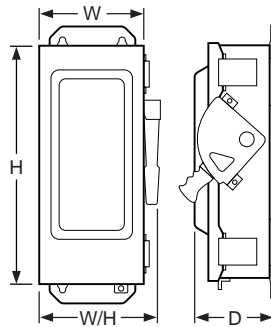
| Cat. No.    | Series | H     |      | W     |     | D     |     | W/H   |     | Cat. No.    | Series | H     |      | W     |     | D     |     | W/H   |     |
|-------------|--------|-------|------|-------|-----|-------|-----|-------|-----|-------------|--------|-------|------|-------|-----|-------|-----|-------|-----|
|             |        | in.   | mm   | in.   | mm  | in.   | mm  | in.   | mm  |             |        | in.   | mm   | in.   | mm  | in.   | mm  |       |     |
| H221N       | F5     | 14.60 | 371  | 6.50  | 165 | 4.88  | 124 | 7.55  | 192 | H364, N     | F5     | 29.00 | 737  | 17.13 | 438 | 8.25  | 210 | 18.50 | 470 |
| H221NRB     | F5     | 14.88 | 378  | 6.63  | 168 | 4.88  | 124 | 7.55  | 192 | H364RB, NRB | F5     | 29.25 | 743  | 17.25 | 435 | 8.50  | 216 | 18.63 | 473 |
| H222N       | F5     | 14.60 | 371  | 6.50  | 165 | 4.88  | 124 | 7.55  | 192 | H365, N     | E4     | 50.25 | 1276 | 27.63 | 702 | 10.13 | 257 | 27.63 | 702 |
| H222NRB     | F5     | 14.88 | 378  | 6.63  | 168 | 4.88  | 124 | 7.55  | 192 | H365R, NR   | E5     | 50.31 | 1278 | 27.76 | 705 | 9.53  | 242 | 27.88 | 708 |
| H223N       | F5     | 21.25 | 540  | 8.50  | 216 | 6.38  | 162 | 10.50 | 267 | H366, N     | E4     | 50.25 | 1276 | 27.63 | 702 | 10.13 | 257 | 27.63 | 702 |
| H223NRB     | F5     | 21.25 | 540  | 8.50  | 216 | 6.38  | 162 | 10.50 | 267 | H366NR, R   | E5     | 50.31 | 1278 | 27.76 | 705 | 9.53  | 242 | 27.88 | 708 |
| H224N       | F5     | 29.00 | 737  | 17.13 | 435 | 8.25  | 210 | 18.50 | 470 | H367, N     | E4     | 69.13 | 1756 | 36.62 | 930 | 17.75 | 451 | 36.62 | 930 |
| H224NRB     | F5     | 29.25 | 743  | 17.25 | 438 | 8.50  | 216 | 18.63 | 473 | H367NR, R   | E4     | 69.13 | 1756 | 36.62 | 930 | 17.75 | 451 | 36.62 | 930 |
| H225, N     | E4     | 50.25 | 1276 | 27.63 | 702 | 10.13 | 257 | 27.63 | 702 | H368, N     | E4     | 69.13 | 1756 | 36.62 | 930 | 17.75 | 451 | 36.62 | 930 |
| H225NR, R   | E5     | 50.31 | 1278 | 27.76 | 705 | 9.53  | 242 | 27.88 | 708 | H368NR, R   | E4     | 69.13 | 1756 | 36.62 | 930 | 17.75 | 451 | 36.62 | 930 |
| H226, N     | E4     | 50.25 | 1276 | 27.63 | 702 | 10.13 | 257 | 27.63 | 702 | H461        | F5     | 20.50 | 521  | 14.75 | 375 | 6.85  | 174 | 16.13 | 410 |
| H226NR, R   | E5     | 50.31 | 1278 | 27.76 | 705 | 9.53  | 242 | 27.88 | 708 | H462        | F5     | 20.50 | 521  | 14.75 | 375 | 6.85  | 174 | 16.13 | 410 |
| H227, N     | E4     | 69.13 | 1756 | 36.62 | 930 | 17.75 | 451 | 36.62 | 930 | H463        | F5     | 20.50 | 521  | 14.75 | 375 | 6.85  | 174 | 16.13 | 410 |
| H227NR, R   | E4     | 69.13 | 1756 | 36.62 | 930 | 17.75 | 451 | 36.62 | 930 | H464        | F5     | 29.00 | 737  | 23.25 | 591 | 8.75  | 222 | 24.88 | 632 |
| H228, N     | E4     | 69.13 | 1756 | 36.62 | 930 | 17.75 | 451 | 36.62 | 930 | H465        | E4     | 50.25 | 1276 | 33.88 | 861 | 10.13 | 257 | 33.88 | 861 |
| H228NR, R   | E4     | 69.13 | 1756 | 36.62 | 930 | 17.75 | 451 | 36.62 | 930 | H466        | E4     | 50.25 | 1276 | 33.88 | 861 | 10.13 | 257 | 33.88 | 861 |
| H265        | E4     | 50.25 | 1276 | 27.63 | 702 | 10.13 | 257 | 27.63 | 702 | HU265       | E4     | 50.25 | 1276 | 27.63 | 702 | 10.13 | 257 | 27.63 | 702 |
| H265R       | E5     | 50.31 | 1278 | 27.76 | 705 | 9.53  | 242 | 27.88 | 708 | HU265R      | E5     | 50.31 | 1278 | 27.76 | 705 | 9.53  | 242 | 27.88 | 708 |
| H266        | E4     | 50.25 | 1276 | 27.63 | 702 | 10.13 | 257 | 27.63 | 702 | HU266       | E4     | 50.25 | 1276 | 27.63 | 702 | 10.13 | 257 | 27.63 | 702 |
| H266R       | E5     | 50.31 | 1278 | 27.76 | 705 | 9.53  | 242 | 27.88 | 708 | HU266R      | E5     | 50.31 | 1278 | 27.76 | 705 | 9.53  | 242 | 27.88 | 708 |
| H267        | E4     | 69.13 | 1756 | 36.62 | 930 | 17.75 | 451 | 36.62 | 930 | HU267       | E4     | 69.13 | 1756 | 36.62 | 930 | 17.75 | 451 | 36.62 | 930 |
| H267R       | E4     | 69.13 | 1756 | 36.62 | 930 | 17.75 | 451 | 36.62 | 930 | HU267R      | E4     | 69.13 | 1756 | 36.62 | 930 | 17.75 | 451 | 36.62 | 930 |
| H268        | E4     | 69.13 | 1756 | 36.62 | 930 | 17.75 | 451 | 36.62 | 930 | HU268       | E4     | 69.13 | 1756 | 36.62 | 930 | 17.75 | 451 | 36.62 | 930 |
| H268R       | E4     | 69.13 | 1756 | 36.62 | 930 | 17.75 | 451 | 36.62 | 930 | HU268R      | E4     | 69.13 | 1756 | 36.62 | 930 | 17.75 | 451 | 36.62 | 930 |
| H321N       | F5     | 14.60 | 371  | 6.50  | 165 | 4.88  | 124 | 7.55  | 192 | HU361       | F5     | 14.60 | 371  | 6.50  | 165 | 4.88  | 124 | 7.55  | 192 |
| H321NRB     | F5     | 14.88 | 378  | 6.63  | 168 | 4.88  | 124 | 7.55  | 192 | HU361RB     | F5     | 14.88 | 378  | 6.63  | 168 | 4.88  | 124 | 7.55  | 192 |
| H322N       | F5     | 14.60 | 371  | 6.50  | 165 | 4.88  | 124 | 7.55  | 192 | HU361WA     | F6     | 18.19 | 462  | 9.00  | 229 | 6.81  | 173 | 10.50 | 267 |
| H322NRB     | F5     | 14.88 | 378  | 6.63  | 168 | 4.88  | 124 | 7.55  | 192 | HU361WC     | F6     | 18.19 | 462  | 9.00  | 229 | 6.81  | 173 | 10.50 | 267 |
| H323N       | F5     | 21.25 | 540  | 8.50  | 216 | 6.38  | 162 | 10.50 | 267 | HU362       | F5     | 17.50 | 445  | 9.00  | 229 | 6.38  | 162 | 10.50 | 267 |
| H323NRB     | F5     | 21.25 | 540  | 8.50  | 216 | 6.38  | 162 | 10.50 | 267 | HU362RB     | F5     | 17.50 | 445  | 9.00  | 229 | 6.38  | 162 | 10.50 | 267 |
| H324N       | F5     | 29.00 | 737  | 17.13 | 435 | 8.25  | 210 | 18.50 | 470 | HU362WA     | F6     | 18.19 | 462  | 9.00  | 229 | 6.81  | 173 | 10.50 | 267 |
| H324NRB     | F5     | 29.25 | 743  | 17.25 | 438 | 8.50  | 216 | 18.63 | 473 | HU362WC     | F6     | 16.75 | 425  | 9.00  | 229 | 7.00  | 178 | 10.50 | 267 |
| H325, N     | E4     | 50.25 | 1276 | 27.63 | 702 | 10.13 | 257 | 27.63 | 702 | HU362WH     | F5     | 18.19 | 462  | 9.00  | 229 | 6.81  | 173 | 10.50 | 267 |
| H325NR, NR  | E5     | 50.31 | 1278 | 27.76 | 705 | 9.53  | 242 | 27.88 | 708 | HU363       | F5     | 21.25 | 540  | 8.50  | 216 | 6.38  | 162 | 10.50 | 267 |
| H326, N     | E4     | 50.25 | 1276 | 27.63 | 702 | 10.13 | 257 | 27.63 | 702 | HU363RB     | F5     | 21.25 | 540  | 8.50  | 216 | 6.38  | 162 | 10.50 | 267 |
| H326R, NR   | E5     | 50.31 | 1278 | 27.76 | 705 | 9.53  | 242 | 27.88 | 708 | HU363WA     | F6     | 21.85 | 462  | 9.00  | 229 | 6.81  | 173 | 10.50 | 267 |
| H327, N     | E4     | 69.13 | 1756 | 36.62 | 930 | 17.75 | 451 | 36.62 | 930 | HU363WC     | F6     | 21.85 | 555  | 9.00  | 229 | 6.81  | 173 | 10.50 | 267 |
| H327R, NR   | E4     | 69.13 | 1756 | 36.62 | 930 | 17.75 | 451 | 36.62 | 930 | HU364       | F5     | 29.00 | 737  | 17.13 | 435 | 8.25  | 210 | 18.50 | 470 |
| H328, N     | E4     | 69.13 | 1756 | 36.62 | 930 | 17.75 | 451 | 36.62 | 930 | HU364RB     | F5     | 29.25 | 743  | 17.25 | 438 | 8.50  | 216 | 18.63 | 473 |
| H328R, NR   | E4     | 69.13 | 1756 | 36.62 | 930 | 17.75 | 451 | 36.62 | 930 | HU365       | E4     | 50.25 | 1276 | 27.63 | 702 | 10.13 | 257 | 27.63 | 702 |
| H361, N     | F5     | 14.60 | 371  | 6.50  | 165 | 4.88  | 124 | 7.55  | 192 | HU365R      | E5     | 50.31 | 1278 | 27.76 | 705 | 9.53  | 242 | 27.88 | 708 |
| H361-2      | F5     | 17.50 | 445  | 9.00  | 229 | 6.38  | 162 | 10.50 | 267 | HU366       | E4     | 50.25 | 1276 | 27.63 | 702 | 10.13 | 257 | 27.63 | 702 |
| H361NRB, RB | F5     | 14.88 | 378  | 6.63  | 168 | 4.88  | 124 | 7.55  | 192 | HU366R      | E5     | 50.31 | 1278 | 27.76 | 705 | 9.53  | 242 | 27.88 | 708 |
| H361WA      | F6     | 18.19 | 462  | 9.00  | 229 | 6.81  | 173 | 10.50 | 267 | HU367       | E4     | 69.13 | 1756 | 36.62 | 930 | 17.75 | 451 | 36.62 | 930 |
| H361WC      | F6     | 18.19 | 462  | 9.00  | 229 | 6.81  | 173 | 10.50 | 267 | HU367R      | E4     | 69.13 | 1756 | 36.62 | 930 | 17.75 | 451 | 36.62 | 930 |
| H362, N     | F5     | 17.50 | 445  | 9.00  | 229 | 6.38  | 162 | 10.50 | 267 | HU368       | E4     | 69.13 | 1756 | 36.62 | 930 | 17.75 | 451 | 36.62 | 930 |
| H362NRB, RB | F5     | 17.50 | 445  | 9.00  | 229 | 6.38  | 162 | 10.50 | 267 | HU368R      | E4     | 69.13 | 1756 | 36.62 | 930 | 17.75 | 451 | 36.62 | 930 |
| H362WA      | F6     | 18.19 | 462  | 9.00  | 229 | 6.81  | 173 | 10.50 | 267 | HU461       | F5     | 20.50 | 521  | 14.75 | 375 | 6.85  | 174 | 16.13 | 410 |
| H362WC      | F6     | 16.75 | 425  | 9.00  | 229 | 7.00  | 178 | 10.50 | 267 | HU462       | F5     | 20.50 | 521  | 14.75 | 375 | 6.85  | 174 | 16.13 | 410 |
| H362WH      | F5     | 18.19 | 462  | 9.00  | 229 | 6.81  | 173 | 10.50 | 267 | HU463       | F5     | 20.50 | 521  | 14.75 | 375 | 6.85  | 174 | 16.13 | 410 |
| H363, N     | F5     | 21.25 | 540  | 8.50  | 216 | 6.38  | 162 | 10.50 | 267 | HU464       | F5     | 29.00 | 737  | 23.25 | 591 | 8.75  | 222 | 24.88 | 632 |
| H363NRB, RB | F5     | 21.25 | 540  | 8.50  | 216 | 6.38  | 162 | 10.50 | 267 | HU465       | E4     | 50.25 | 1276 | 33.88 | 861 | 10.13 | 257 | 33.88 | 861 |
| H363WA      | F6     | 21.85 | 462  | 9.00  | 229 | 6.81  | 173 | 10.50 | 267 | HU466       | E4     | 50.25 | 1276 | 33.88 | 861 | 10.13 | 257 | 33.88 | 861 |
| H363WC      | F6     | 21.85 | 555  | 9.00  | 229 | 6.81  | 173 | 10.50 | 267 |             |        |       |      |       |     |       |     |       |     |



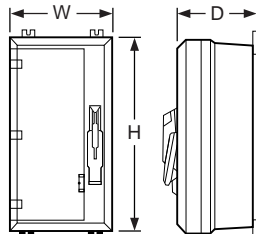
**NEMA Type 4, 4X, 5, 7, 9, and 12**

See Table 3.42 Terminal Lug Data, page 3-19 for terminal lug data for the series switches listed in the dimension table below.

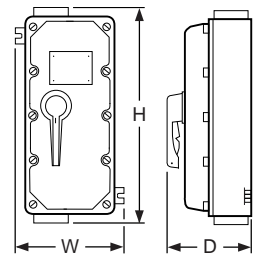
**Table 3.45: Approximate Dimensions**



Typical NEMA Type 4, 4X, 5, 12, 12K  
(Stainless has flat front)



Typical NEMA Type 4X  
Fiberglass and Krydon



Typical NEMA Type 7, 9

| Cat. No.        | Series | H     |      | W     |     | D     |     | W/H   |     |
|-----------------|--------|-------|------|-------|-----|-------|-----|-------|-----|
|                 |        | in.   | mm   | in.   | mm  | in.   | mm  | in.   | mm  |
| H60XFA          | E1     | 15.93 | 405  | 9.87  | 251 | 6.96  | 177 | 9.87  | 251 |
| H100XFA         | E1     | 15.93 | 405  | 9.87  | 251 | 6.96  | 177 | 9.87  | 251 |
| H221AWK,A       | F6     | 14.60 | 371  | 6.63  | 168 | 4.96  | 125 | 7.55  | 192 |
| H221DS          | F6     | 14.93 | 379  | 7.22  | 183 | 5.11  | 130 | 8.67  | 220 |
| H221-2AWK       | F6     | 16.50 | 419  | 9.00  | 229 | 7.00  | 178 | 10.50 | 267 |
| H222AWK,A       | F6     | 14.60 | 371  | 6.63  | 168 | 4.96  | 125 | 7.55  | 192 |
| H222DS          | F6     | 14.93 | 379  | 7.22  | 183 | 5.11  | 130 | 8.67  | 220 |
| H223AWK,A       | F6     | 20.50 | 521  | 9.00  | 229 | 7.00  | 178 | 10.50 | 267 |
| H223DS          | F6     | 20.82 | 529  | 9.36  | 238 | 6.97  | 177 | 11.25 | 286 |
| H224A,AWK       | F6     | 29.00 | 737  | 17.25 | 438 | 8.75  | 216 | 18.63 | 473 |
| H224DS          | F6     | 29.00 | 737  | 17.75 | 451 | 8.88  | 226 | 19.25 | 489 |
| H225AWK,DS      | E4     | 46.25 | 1175 | 26.25 | 667 | 10.13 | 259 | 26.25 | 667 |
| H225NAWK,NDS    | E4     | 46.25 | 1175 | 26.25 | 667 | 10.13 | 259 | 26.25 | 667 |
| H225XJG         | A1     | 22.56 | 573  | 10.88 | 276 | 7.75  | 197 | 10.88 | 276 |
| H226AWK,DS      | E5     | 46.25 | 1175 | 26.25 | 667 | 10.13 | 259 | 26.25 | 667 |
| H226NAWK,NDS    | E5     | 46.25 | 1175 | 26.25 | 667 | 10.13 | 259 | 26.25 | 667 |
| H227AWK,NAWK    | E4     | 69.13 | 1756 | 36.62 | 930 | 17.75 | 451 | 36.62 | 930 |
| H228AWK,NAWK    | E4     | 69.13 | 1756 | 36.62 | 930 | 17.75 | 451 | 36.62 | 930 |
| H265AWK,DS      | E5     | 46.25 | 1175 | 26.25 | 667 | 10.13 | 259 | 26.25 | 667 |
| H266AWK,A,DS    | E5     | 46.25 | 1175 | 26.25 | 667 | 10.13 | 259 | 26.25 | 667 |
| H267AWK,NAWK    | E4     | 69.13 | 1756 | 36.62 | 930 | 17.75 | 451 | 36.62 | 930 |
| H268AWK,NAWK    | E4     | 69.13 | 1756 | 36.62 | 930 | 17.75 | 451 | 36.62 | 930 |
| H321AWK,A       | F6     | 14.60 | 371  | 6.63  | 168 | 4.96  | 125 | 7.55  | 192 |
| H321DS          | F6     | 14.93 | 379  | 7.22  | 183 | 5.11  | 130 | 8.67  | 220 |
| H322AWK,A       | F6     | 14.60 | 371  | 6.63  | 168 | 4.96  | 125 | 7.55  | 192 |
| H322DS          | F6     | 14.93 | 379  | 7.22  | 183 | 5.11  | 130 | 8.67  | 220 |
| H323AWK,A       | F6     | 20.50 | 521  | 9.00  | 229 | 7.00  | 178 | 10.50 | 267 |
| H323DS          | F6     | 20.82 | 529  | 9.36  | 238 | 6.97  | 177 | 11.25 | 286 |
| H324A,AWK       | F6     | 29.00 | 737  | 17.25 | 438 | 8.75  | 216 | 18.63 | 473 |
| H324DS          | F6     | 29.00 | 737  | 17.75 | 451 | 8.88  | 226 | 19.25 | 489 |
| H325AWK,DS      | E5     | 46.25 | 1175 | 26.25 | 667 | 10.13 | 259 | 26.25 | 667 |
| H325NAWK,NDS    | E5     | 46.25 | 1175 | 26.25 | 667 | 10.13 | 259 | 26.25 | 667 |
| H326AWK,DS      | E5     | 46.25 | 1175 | 26.25 | 667 | 10.13 | 259 | 26.25 | 667 |
| H326NAWK,NDS    | E5     | 46.25 | 1175 | 26.25 | 667 | 10.13 | 259 | 26.25 | 667 |
| H327AWK,NAWK    | E4     | 69.13 | 1756 | 36.62 | 930 | 17.75 | 451 | 36.62 | 930 |
| H328AWK,NAWK    | E4     | 69.13 | 1756 | 36.62 | 930 | 17.75 | 451 | 36.62 | 930 |
| H361AWA         | F7     | 16.50 | 419  | 9.00  | 229 | 7.00  | 178 | 10.50 | 267 |
| H361AWC         | F7     | 16.50 | 419  | 9.00  | 229 | 7.00  | 178 | 10.50 | 267 |
| H361AWK,A       | F6     | 14.60 | 371  | 6.63  | 168 | 4.96  | 125 | 7.55  | 192 |
| H361DS          | F6     | 14.93 | 379  | 7.22  | 183 | 5.11  | 130 | 8.67  | 220 |
| H361DSWA        | F7     | 16.87 | 428  | 8.92  | 227 | 5.11  | 130 | 10.81 | 275 |
| H361DSWC        | F7     | 16.87 | 428  | 8.92  | 227 | 5.11  | 130 | 10.79 | 274 |
| H361DF          | F1     | 16.50 | 419  | 11.00 | 279 | 8.80  | 224 | 11.00 | 279 |
| H361DX          | F1     | 19.40 | 493  | 11.40 | 290 | 8.60  | 218 | 11.40 | 290 |
| H361SS          | F6     | 14.93 | 379  | 7.22  | 183 | 5.11  | 130 | 8.67  | 220 |
| H361-2AWK,A     | F6     | 16.50 | 419  | 9.00  | 229 | 7.00  | 178 | 10.50 | 267 |
| H362AWA         | F7     | 16.50 | 419  | 9.00  | 229 | 7.00  | 178 | 10.50 | 267 |
| H362AWC         | F7     | 16.50 | 419  | 9.00  | 229 | 7.00  | 178 | 10.50 | 267 |
| H362AWH         | F6     | 16.50 | 419  | 9.00  | 229 | 7.00  | 178 | 10.50 | 267 |
| H362AWK,A       | F6     | 16.50 | 419  | 9.00  | 229 | 7.00  | 178 | 10.50 | 267 |
| H362DS          | F6     | 16.87 | 428  | 8.92  | 227 | 6.97  | 177 | 10.81 | 275 |
| H362DSWA        | F7     | 16.87 | 428  | 8.92  | 227 | 5.11  | 130 | 10.81 | 275 |
| H362DSWC        | F7     | 16.87 | 428  | 8.92  | 227 | 5.11  | 130 | 10.79 | 274 |
| H362DF          | F1     | 16.50 | 419  | 11.00 | 279 | 8.80  | 224 | 11.00 | 279 |
| H362DX          | F1     | 19.40 | 493  | 11.40 | 290 | 8.60  | 218 | 11.40 | 290 |
| H362SS          | F6     | 16.87 | 428  | 8.92  | 227 | 6.97  | 177 | 10.81 | 275 |
| H363AWA         | F7     | 20.50 | 521  | 9.00  | 229 | 7.00  | 178 | 10.50 | 267 |
| H363AWC         | F7     | 20.50 | 521  | 9.00  | 229 | 7.00  | 178 | 10.50 | 267 |
| H363AWK,A       | F6     | 20.50 | 521  | 9.00  | 229 | 7.00  | 178 | 10.50 | 267 |
| H363DS          | F6     | 20.82 | 529  | 9.36  | 238 | 6.97  | 177 | 11.25 | 286 |
| H363DSWA        | F7     | 20.82 | 529  | 9.36  | 238 | 6.97  | 177 | 11.25 | 286 |
| H363DSWC        | F7     | 20.82 | 529  | 9.36  | 238 | 6.97  | 177 | 11.25 | 286 |
| H363DF          | F1     | 24.80 | 630  | 13.70 | 348 | 12.00 | 305 | 13.70 | 348 |
| H363DX          | F1     | 25.25 | 641  | 11.40 | 290 | 8.60  | 218 | 11.40 | 290 |
| H363SS          | F6     | 20.82 | 529  | 9.36  | 238 | 6.97  | 177 | 11.25 | 286 |
| H364A,AWK       | F6     | 29.00 | 737  | 17.25 | 438 | 8.75  | 216 | 18.63 | 473 |
| H364DS,NDS      | F6     | 29.00 | 737  | 17.75 | 451 | 8.88  | 226 | 19.25 | 489 |
| H364NAWK        | F6     | 29.00 | 737  | 17.25 | 438 | 8.75  | 216 | 18.63 | 473 |
| H364DF          | E1     | 31.30 | 795  | 26.30 | 668 | 11.80 | 300 | 26.30 | 668 |
| H364SS          | F6     | 29.00 | 737  | 17.75 | 451 | 8.88  | 226 | 19.25 | 489 |
| H365AWK,DS,SS   | E5     | 46.25 | 1175 | 26.25 | 667 | 10.13 | 259 | 26.25 | 667 |
| H365NAWK,NDS    | E5     | 46.25 | 1175 | 26.25 | 667 | 10.13 | 259 | 26.25 | 667 |
| H366AWK,DS      | E5     | 46.25 | 1175 | 26.25 | 667 | 10.13 | 259 | 26.25 | 667 |
| H366NAWK,NDS,SS | E5     | 46.25 | 1175 | 26.25 | 667 | 10.13 | 259 | 26.25 | 667 |
| H367AWK,NAWK    | E4     | 69.13 | 1756 | 36.62 | 930 | 17.75 | 451 | 36.62 | 930 |
| H368AWK,NAWK    | E4     | 69.13 | 1756 | 36.62 | 930 | 17.75 | 451 | 36.62 | 930 |
| H461AWK         | F6     | 20.50 | 521  | 14.75 | 375 | 6.80  | 173 | 16.13 | 410 |
| H461DS          | F6     | 20.82 | 529  | 15.08 | 383 | 6.97  | 177 | 16.85 | 428 |
| H462AWK         | F6     | 20.50 | 521  | 14.75 | 375 | 6.80  | 173 | 16.13 | 410 |
| H462DS          | F6     | 20.82 | 529  | 15.08 | 383 | 6.97  | 177 | 16.85 | 428 |
| H463AWK         | F6     | 20.50 | 521  | 14.75 | 375 | 6.80  | 173 | 16.13 | 410 |
| H463DS          | F6     | 20.82 | 529  | 15.08 | 383 | 6.97  | 177 | 16.85 | 428 |
| H464AWK         | F6     | 29.00 | 737  | 23.25 | 591 | 8.75  | 222 | 24.88 | 632 |
| H464DS          | F6     | 29.00 | 737  | 23.75 | 603 | 8.88  | 226 | 25.25 | 641 |
| H465AWK         | E5     | 46.25 | 1175 | 32.50 | 826 | 10.13 | 259 | 32.50 | 826 |
| H663AWK         | F6     | 20.50 | 521  | 14.75 | 375 | 6.80  | 173 | 16.13 | 410 |
| H663DS          | F6     | 20.82 | 529  | 15.08 | 383 | 6.97  | 177 | 16.85 | 428 |
| H664AWK         | F6     | 29.00 | 737  | 23.25 | 591 | 8.75  | 222 | 24.88 | 632 |
| H664DS          | F6     | 29.00 | 737  | 23.75 | 603 | 8.88  | 226 | 25.25 | 641 |
| HU265AWK,DS     | E5     | 46.25 | 1175 | 26.25 | 667 | 10.13 | 259 | 26.25 | 667 |
| HU266AWK,DS     | E5     | 46.25 | 1175 | 26.25 | 667 | 10.13 | 259 | 26.25 | 667 |
| HU267AWK        | E4     | 69.13 | 1756 | 36.62 | 930 | 17.75 | 451 | 36.62 | 930 |
| HU268AWK        | E4     | 69.13 | 1756 | 36.62 | 930 | 17.75 | 451 | 36.62 | 930 |
| HU361AWA        | F7     | 18.50 | 419  | 9.00  | 229 | 7.00  | 178 | 10.50 | 267 |
| HU361AWC        | F7     | 16.50 | 419  | 9.00  | 229 | 7.00  | 178 | 10.50 | 267 |
| HU361AWK,A      | F6     | 14.60 | 371  | 6.63  | 168 | 4.96  | 125 | 7.55  | 192 |
| HU361DS         | F6     | 14.93 | 379  | 7.22  | 183 | 5.11  | 130 | 8.67  | 220 |
| HU361DSWA       | F7     | 16.87 | 428  | 8.92  | 227 | 5.11  | 130 | 10.81 | 275 |
| HU361DSWC       | F7     | 16.87 | 428  | 8.92  | 227 | 5.11  | 130 | 10.79 | 274 |

SAFETY SWITCHES 3

Table 3.45 Approximate Dimensions (cont'd.)

| Cat. No.       | Series | H     |      | W     |     | D     |     | W/H   |     |
|----------------|--------|-------|------|-------|-----|-------|-----|-------|-----|
|                |        | in.   | mm   | in.   | mm  | in.   | mm  | in.   | mm  |
| HU361DF        | F1     | 16.50 | 419  | 11.00 | 279 | 8.80  | 224 | 11.00 | 279 |
| HU361DX        | F1     | 19.40 | 493  | 11.40 | 290 | 8.60  | 218 | 11.40 | 290 |
| HU361SS        | F6     | 14.93 | 379  | 7.22  | 183 | 5.11  | 130 | 8.67  | 220 |
| HU362AWA       | F7     | 16.50 | 419  | 9.00  | 229 | 7.00  | 178 | 10.50 | 267 |
| HU362AWC       | F7     | 16.50 | 419  | 9.00  | 229 | 7.00  | 178 | 10.50 | 267 |
| HU362AWH       | F6     | 16.50 | 419  | 9.00  | 229 | 7.00  | 178 | 10.50 | 267 |
| HU362AWK.A     | F6     | 16.50 | 419  | 9.00  | 229 | 7.00  | 178 | 10.50 | 267 |
| HU362DS        | F6     | 16.87 | 428  | 8.92  | 227 | 6.97  | 177 | 10.81 | 275 |
| HU362DSWA      | F7     | 16.87 | 428  | 8.92  | 227 | 5.11  | 130 | 10.81 | 275 |
| HU362DSWC      | F7     | 16.87 | 428  | 8.92  | 227 | 5.11  | 130 | 10.79 | 274 |
| HU362DF        | F1     | 16.50 | 419  | 11.00 | 279 | 8.80  | 224 | 11.00 | 279 |
| HU362DX        | F1     | 19.40 | 493  | 11.40 | 290 | 8.60  | 218 | 11.40 | 290 |
| HU362SS        | F6     | 16.87 | 428  | 8.92  | 227 | 6.97  | 177 | 10.81 | 275 |
| HU363AWA       | F7     | 20.50 | 521  | 9.00  | 229 | 7.00  | 178 | 10.50 | 267 |
| HU363AWC       | F7     | 20.50 | 521  | 9.00  | 229 | 7.00  | 178 | 10.50 | 267 |
| HU363AWK.A     | F6     | 20.50 | 521  | 9.00  | 229 | 7.00  | 178 | 10.50 | 267 |
| HU363DS        | F6     | 20.82 | 529  | 9.36  | 238 | 6.97  | 177 | 11.25 | 286 |
| HU363DSWA      | F7     | 20.82 | 529  | 9.36  | 238 | 6.97  | 177 | 11.25 | 286 |
| HU363DSWC      | F7     | 20.82 | 529  | 9.36  | 238 | 6.97  | 177 | 11.25 | 286 |
| HU363DF        | F1     | 24.80 | 630  | 13.70 | 348 | 12.00 | 305 | 13.70 | 348 |
| HU363DX        | F1     | 25.25 | 641  | 11.40 | 290 | 8.60  | 218 | 11.40 | 290 |
| HU363SS        | F6     | 20.82 | 529  | 9.36  | 238 | 6.97  | 177 | 11.25 | 286 |
| HU364A.AWK     | F6     | 29.00 | 737  | 17.25 | 438 | 8.75  | 216 | 18.63 | 473 |
| HU364DF        | E1     | 31.30 | 795  | 26.30 | 668 | 11.80 | 300 | 26.30 | 668 |
| HU364DS        | F6     | 29.00 | 737  | 17.75 | 451 | 8.88  | 226 | 19.25 | 489 |
| HU364SS        | F6     | 29.00 | 737  | 17.75 | 451 | 8.88  | 226 | 19.25 | 489 |
| HU365AWK.DS,SS | E5     | 46.25 | 1175 | 26.25 | 667 | 10.13 | 259 | 26.25 | 667 |
| HU366AWK.DS,SS | E5     | 46.25 | 1175 | 26.25 | 667 | 10.13 | 259 | 26.25 | 667 |
| HU367AWK       | E4     | 69.13 | 1756 | 36.62 | 930 | 17.75 | 451 | 36.62 | 930 |
| HU368AWK       | E4     | 69.13 | 1756 | 36.62 | 930 | 17.75 | 451 | 36.62 | 930 |
| HU461AWK       | F6     | 20.50 | 521  | 14.75 | 375 | 6.80  | 173 | 16.13 | 411 |
| HU461DS        | F6     | 20.82 | 529  | 15.08 | 383 | 6.97  | 177 | 16.85 | 428 |
| HU462AWK       | F6     | 21.25 | 540  | 16.13 | 410 | 6.80  | 173 | 16.13 | 410 |
| HU462DS        | F6     | 20.82 | 529  | 15.08 | 383 | 6.97  | 177 | 16.85 | 428 |
| HU463AWK       | F6     | 20.50 | 521  | 14.75 | 375 | 6.80  | 173 | 16.13 | 410 |
| HU463DS        | F6     | 20.82 | 529  | 15.08 | 383 | 6.97  | 177 | 16.85 | 428 |
| HU464AWK       | F6     | 29.00 | 737  | 23.25 | 591 | 8.75  | 222 | 24.88 | 632 |
| HU464DS        | F6     | 29.00 | 737  | 23.75 | 603 | 8.88  | 226 | 25.25 | 641 |
| HU465AWK       | E5     | 46.25 | 1175 | 32.50 | 826 | 10.13 | 259 | 32.50 | 826 |
| HU661AWK       | F6     | 20.50 | 521  | 14.75 | 375 | 6.80  | 173 | 16.13 | 410 |
| HU661DS        | F6     | 20.82 | 529  | 15.08 | 383 | 6.97  | 177 | 16.85 | 428 |
| HU662AWK       | F6     | 20.50 | 521  | 14.75 | 375 | 6.80  | 173 | 16.13 | 410 |
| HU662DS        | F6     | 20.82 | 529  | 15.08 | 383 | 6.97  | 177 | 16.85 | 428 |
| HU663AWK       | F6     | 20.50 | 521  | 14.75 | 375 | 6.80  | 173 | 16.13 | 410 |
| HU663DS        | F6     | 20.82 | 529  | 15.08 | 383 | 6.97  | 177 | 16.85 | 428 |
| HU664AWK       | F6     | 29.00 | 737  | 23.25 | 591 | 8.75  | 222 | 24.88 | 632 |
| HU664DS        | F6     | 29.00 | 737  | 23.75 | 603 | 8.88  | 226 | 25.25 | 641 |



30–100 A DT, DTU (Series F)  
NEMA Type 1

### 30–100 A Types DT, DTU (Series F)

- Fusible (DT) and non-fusible (DTU) switches available
- Manually-operated switch suitable for use in accordance with article 702 of the NEC, ANSI/NFPA 70
- Standards: UL 98, Type KS1, CSA, and NOM
- Modular design—switch handle, lock-plate, switch mechanism; line and load bases are field replaceable
- UL Listed short circuit current ratings up to 200 kA (using with (fusible) or protected by (non-fusible) Class R, J, or T fuses—see table for rating)
- Load make/break rated
- Horsepower rated
- Dual cover interlock
- May be padlocked ON (I) or OFF (O)
- Lock-off accepts up to three padlocks
- Side-opening door
- Quick make / quick break mechanism
- Meets NEMA requirements as heavy duty switch
- Field-installed electrical interlock kits
- Field-installed neutral assembly kits (2P and 3P switches)
- UL Listed as suitable for use as service equipment
- Supplied as standard for switching one load between two power sources, and may be field-converted to switch one power source between two loads.



82,000 Line  
NEMA Type 1

### 30 (Series T4), 200–600 A Types 82,000 and 200 A DTU (Series E, A)

- Non-fusible
- Designed for manual transfer of one load between two power sources
- UL Listed switches are suitable for use in accordance with Article 702 of the National Electrical Code, ANSI / NFPA 70
- All 82,000 and DTU double throw switches are continuous duty rated for their nameplate ampere rating
- The 82,000 and DTU (Series E, A) switches are load make/break rated
- UL Listed as suitable for use as service equipment
- Horsepower rated only as footnoted

#### Field-Installable Accessories

- Neutral
- Electrical Interlock
- Grounding Terminals

Double-Throw Safety Switches

Table 3.46: 240 V Double Throw Safety Switches

| System                                 | Amperes                                | Current Series | NEMA Type 1    | NEMA Type 3R     | NEMA Type 4,4X,5<br>304 Stainless Steel | NEMA Type 12<br>Gasketed | Horsepower Ratings [1][2] |         |        |         | 250 Vdc[3] |
|----------------------------------------|----------------------------------------|----------------|----------------|------------------|-----------------------------------------|--------------------------|---------------------------|---------|--------|---------|------------|
|                                        |                                        |                |                |                  |                                         |                          | 240 Vac                   |         |        |         |            |
|                                        |                                        |                | Cat. No.       | Cat. No.         | Cat. No.                                | Cat. No.                 | 1Ø                        | 3Ø      | 1Ø     | 3Ø      |            |
| <b>Fusible—2P, 240 Vac—250 Vdc</b>     |                                        |                |                |                  |                                         |                          |                           |         |        |         |            |
|                                        | 100                                    | F              | DT223          | DT223RB          | —                                       | —                        | 7.5                       | 15 [4]  | 15     | 30 [4]  | 20         |
| <b>Fusible—3P, 240 Vac—250 Vdc</b>     |                                        |                |                |                  |                                         |                          |                           |         |        |         |            |
|                                        | 30                                     | F              | DT321          | DT321RB          | —                                       | —                        | 1.5 [5]                   | 3 [4]   | 3 [5]  | 7.5 [4] | 5          |
|                                        | 60                                     | F              | DT322          | DT322RB          | —                                       | —                        | 3 [5]                     | 7.5 [4] | 10 [5] | 15 [4]  | 10         |
|                                        | 100                                    | F              | DT323          | DT323RB          | —                                       | —                        | 7.5 [5]                   | 15 [4]  | 15 [5] | 30 [4]  | 20         |
|                                        | <b>Non-Fusible—2P, 240 Vac—250 Vdc</b> |                |                |                  |                                         |                          |                           |         |        |         |            |
|                                        | 60                                     | F              | DTU222         | —                | —                                       | —                        | —                         | —       | 10     | —       | 10 [6]     |
|                                        | 100                                    | F              | DTU223         | DTU223RB         | —                                       | —                        | —                         | —       | 15     | —       | 20 [6]     |
|                                        | 30                                     | T4             | 92251 [7]      | —                | —                                       | —                        | —                         | —       | —      | —       | —          |
|                                        | 200                                    | E              | 82254          | DTU224NRB [7][8] | —                                       | H82254                   | 15                        | —       | —      | —       | —          |
|                                        | 400                                    | A              | 82255 [7]      | 82255R [7]       | —                                       | H82255 [7]               | —                         | —       | —      | —       | —          |
| <b>Non-Fusible—3P, 240 Vac—250 Vdc</b> |                                        |                |                |                  |                                         |                          |                           |         |        |         |            |
|                                        | 30                                     | F              | DTU321         | —                | —                                       | —                        | —                         | 3 [4]   | 5 [5]  | 10 [4]  | 5 [6]      |
|                                        | 60                                     | F              | DTU322         | —                | —                                       | —                        | —                         | —       | 10 [5] | 15 [4]  | 10 [6]     |
|                                        | 100                                    | F              | DTU323         | DTU323RB         | —                                       | —                        | —                         | —       | 15 [5] | 30 [4]  | 20 [6]     |
|                                        |                                        | 30             | T4             | 92351 [7]        | —                                       | —                        | —                         | —       | —      | —       | —          |
| 200                                    |                                        | E              | 82354 [7]      | —                | —                                       | H82354 [7]               | 15                        | —       | —      | —       | —          |
| 200                                    |                                        | E              | DTU324N [7][8] | DTU324NRB [7][8] | —                                       | —                        | 15                        | —       | —      | —       | —          |
| 400                                    |                                        | A              | 82355 [7]      | 82355R [7]       | —                                       | H82355 [7]               | —                         | —       | —      | —       | —          |
|                                        | 600                                    | A              | DTU326         | DTU326R          | —                                       | —                        | —                         | 125     | —      | —       | 50         |
|                                        | <b>Non-Fusible—4P, 240 Vac</b>         |                |                |                  |                                         |                          |                           |         |        |         |            |
|                                        | 30                                     | T4             | 92451          | —                | —                                       | —                        | —                         | —       | —      | —       | —          |
|                                        | 200                                    | E              | 82454 [9]      | 82454R [9]       | —                                       | H82454 [10]              | 15 [10]                   | —       | —      | —       | —          |
|                                        | 400                                    | A              | 82455          | 82455R           | —                                       | H82455                   | —                         | —       | —      | —       | —          |
|                                        | 600                                    | A              | DTU426         | DTU426R          | —                                       | —                        | —                         | 125     | —      | —       | 50         |

600 V Double Throw: page 3-25  
 Accessories: page 3-26  
 Application Data: Application Data, page 3-28  
 Dimensions, 30–100 A (Series F): page 3-30  
 Dimensions, 30, 200–600 A (Series E, T4, A): page 3-31

[1] The starting current of motors or more than standard horsepower may require the use of fuses with appropriate time delay characteristics.  
 [2] Std.—Using fast acting one time fuses. Max.—Using dual element time delay fuses.  
 [3] For switching dc, use two switching poles.  
 [4] If used on corner grounded delta systems, install neutral and use outer switching pole for ungrounded conductors. See data bulletin 2700DB0202 for additional information.  
 [5] Use outer switching poles.  
 [6] Maximum rating.  
 [7] 240 Vac only. Not Vdc rated.  
 [8] Neutral included with device.  
 [9] 240 Vac, 250 Vdc.  
 [10] Hp rating applies only to H82454.

**Double Throw Safety Switches**
**Table 3.47: 600 V Double Throw Safety Switches**

| System                                 | Amperes                                | Current Series | NEMA Type 1 | NEMA Type 3R     | NEMA Type 4,4X,5 304 Stainless Steel | NEMA Type 12 Gasketed      | Horsepower Ratings [11][12] |         |         |         |         |          |          |         |
|----------------------------------------|----------------------------------------|----------------|-------------|------------------|--------------------------------------|----------------------------|-----------------------------|---------|---------|---------|---------|----------|----------|---------|
|                                        |                                        |                |             |                  |                                      |                            | 240 Vac                     |         | 480 Vac |         | 600 Vac |          | Vdc [13] |         |
|                                        |                                        |                |             |                  |                                      |                            | Std                         | Max     | Std     | Max     | Std     | Max      | 250      | 600     |
|                                        |                                        |                | Cat. No.    | Cat. No.         | Cat. No.                             | Cat. No.                   | 3Ø                          | 3Ø      | 3Ø [14] | 3Ø [14] | 3Ø      | 3Ø       | 250      | 600     |
| <b>Fusible 3P, 600 Vac—600 Vdc</b>     |                                        |                |             |                  |                                      |                            |                             |         |         |         |         |          |          |         |
|                                        | 30                                     | F              | DT361       | DT361RB          | —                                    | —                          | —                           | —       | 5 [15]  | 15 [15] | 7.5     | 20       | 5        | 15 [16] |
|                                        | 60                                     | F              | DT362       | DT362RB          | —                                    | —                          | —                           | —       | 15 [17] | 30 [17] | 15      | 50       | —        | 30 [18] |
|                                        | 100                                    | F              | DT363       | DT363RB          | —                                    | —                          | —                           | —       | 25 [19] | 60 [19] | 30      | 75       | —        | 50 [20] |
| <b>Non-Fusible 3P, 600 Vac—600 Vdc</b> |                                        |                |             |                  |                                      |                            | 1Ø [13]                     | 3Ø [14] | 1Ø [13] | 3Ø [14] | 1Ø [13] | 3Ø [21]  |          |         |
|                                        | 30                                     | F              | DTU361      | DTU361RB         | —                                    | —                          | 5                           | 10      | 7.5     | 20      | 10      | 30       | 5        | 15      |
|                                        | 60                                     | F              | DTU362      | DTU362RB         | DTU362DS                             | DTU362AWK [22]             | 10                          | 20 [23] | 25      | 50 [24] | 30      | 60 [25]  | 10       | 30      |
|                                        | 100                                    | F              | DTU363      | DTU363RB         | DTU363DS                             | DTU363AWK [22]             | 20                          | 40 [26] | 40      | 75 [26] | 40      | 100 [26] | 20       | 50      |
|                                        | 200                                    | E              | 82344 [27]  | 82344RB [27]     | 82344DS [27]                         | H82344 [27]                | —                           | —       | —       | 15 [29] | —       | —        | —        | —       |
|                                        | 400                                    | A              | 82345 [30]  | 82345R [30]      | 82345DS [30]                         | H82345 [30]                | —                           | —       | —       | —       | —       | —        | —        | —       |
|                                        | 600                                    | A              | DTU366 [30] | DTU366R [30]     | —                                    | DTU366AWK [30]             | —                           | 125     | —       | 250     | —       | 350      | 50       | —       |
| <b>Non-Fusible 4P, 600 Vac—600 Vdc</b> |                                        |                |             |                  |                                      |                            | 2Ø                          | 3Ø      | 2Ø      | 3Ø      | 2Ø      | 3Ø       |          |         |
|                                        | 60                                     | F              | DTU462 [31] | Use NEMA Type 12 | DTU462DS [31]                        | DTU462AWK [22] [31]        | 20                          | 20      | 40      | 50      | 50      | 60       | 10       | 30      |
|                                        | 100                                    | F              | DTU463 [31] |                  | DTU463DS [31]                        | DTU463AWK [22] [31]        | 30                          | 40      | 50      | 75      | 50      | 100      | 20       | 50      |
|                                        | 200                                    | E              | 82444 [30]  | 82444R [30]      | 82444DS [30]                         | H82444 [22] [31] [32] [30] | —                           | —       | —       | —       | —       | —        | —        | —       |
|                                        | 400                                    | A              | 82445 [30]  | 82445R [30]      | —                                    | H82445 [30]                | —                           | —       | —       | —       | —       | —        | —        | —       |
|                                        | 600                                    | A              | DTU466 [30] | DTU466R [30]     | —                                    | —                          | —                           | 125     | —       | 250     | —       | 350      | 50       | —       |
|                                        | <b>Non-Fusible 6P, 600 Vac—600 Vdc</b> |                |             |                  |                                      |                            |                             | 1Ø      | 3Ø      | 1Ø      | 3Ø      | 1Ø       | 3Ø       |         |
|                                        | 60                                     | F              | —           | —                | —                                    | DTU662AWK [22] [31]        | —                           | 20      | —       | 50      | —       | 60       | 10       | 30      |
|                                        | 100                                    | F              | —           | —                | —                                    | DTU663AWK [22] [31]        | —                           | 40      | —       | 75      | —       | 100      | 20       | 50      |

240 V Double Throw: page 3-24  
 Accessories: page 3-26  
 Application Data: page 3-28  
 Dimensions, 30–100 A (Series F): page 3-30  
 Dimensions, 30, 200–600 A (Series E, T4, A): page 3-31

[11] The starting current of motors of more than standard horsepower may require the use of fuses with appropriate time delay characteristics.  
 [12] Std.—Using fast acting one time fuses. Max.—Using dual element time delay fuses. (Non-fusible switches have max rating unless noted.)  
 [13] Use outer switching poles.  
 [14] If used on corner grounded delta systems, install neutral and use outer switching pole for ungrounded conductors. See data bulletin 2700DB0202 for additional information.  
 [15] 480 Vac 1 Phase HP = 3 Std, 7.5 Max  
 [16] 10 Std, 15 Max  
 [17] 480 Vac 1 Phase HP = 5 Std, 20 Max  
 [18] 25 Std, 30 Max  
 [19] 480 Vac 1 Phase HP = 10 Std, 30 Max  
 [20] 40 Std, 50 Max  
 [21] Maximum HP  
 [22] Complete rating on switch is NEMA Type 3R, 5 or 12. For 3R applications, remove drain screw from bottom endwall.  
 [23] Maximum HP is 15 for corner grounded delta systems.  
 [24] Maximum HP is 30 for corner grounded delta systems.  
 [25] Use 75°C #4 Cu or #2 Al conductors only on DTU362 and DTU362RB.  
 [26] Use 75°C #1 Cu conductors only.  
 [27] 480 Vac, 250 Vdc maximum  
 [28] Not UL Listed.  
 [29] Standard Hp rating.  
 [30] 250 Vdc maximum.  
 [31] Not suitable for use as service equipment.  
 [32] 480 Vac, 250 Vdc maximum.

**Accessories**

**Table 3.48: Electrical Interlocks (For Electrical Interlock Contact Ratings, see Supplemental Digest Section 2)**

| Switch                                   | Field-Installed Electrical Interlock Kit Cat. No. [33] |
|------------------------------------------|--------------------------------------------------------|
| 30–100 A Type DT, DTU (Series F)         | EIK1, EIK2[34]/[35]                                    |
| 200 A Type 82000 and DTU (Series E) [36] | [37]                                                   |
| 400 A Type 82000 (Series A)              | EK400DTU2                                              |
| 600 A Type DTU (Series A)                | DS200EK2D                                              |

**Table 3.49: Neutral Assembly**

| Switch                                                         | Field-Installed Standard Neutral Kit Cat. No. | Terminal Data AWG/kcmil                                                          | Field-Installed Copper only Neutral Kit Cat. No. | Terminal Data AWG/kcmil                      |
|----------------------------------------------------------------|-----------------------------------------------|----------------------------------------------------------------------------------|--------------------------------------------------|----------------------------------------------|
| 30–100 A Type DT, DTU (Series F) (2- and 3-pole switches only) | SN0310                                        | (3) 14-1/0 Al/Cu plus<br>(2) 14-6 Al/Cu Svc Ground                               | SN0310C                                          | (3) 14-1/0 Cu plus<br>(2) 14-6 Cu Svc Ground |
| 30 A (Series T4) (2- and 3-pole switches only)                 | [38]                                          | (3) 14-4 Al/Cu plus<br>(2) 14-4 Al/Cu Svc Ground                                 | —                                                | —                                            |
| 200 A Type 82000 (Series E) (2 and 3 pole switches only) [39]  | [38]                                          | (3) 6-300 Al/Cu plus<br>(1) 6-2/0 Al or 10-2/0 Cu Svc Ground                     | —                                                | —                                            |
| 200A Type DTU (Series E)                                       | Factory Installed                             | (3) 4-300 Al/Cu plus<br>(1) 4-300 Al/Cu Svc Ground                               | —                                                | —                                            |
| 400 A Type 82000 (Series A)                                    | DT400N                                        | (1) 1/0 - 600 Al/Cu or<br>(2) 1/0 - 250 Al/Cu plus<br>(2) 6-300 Al/Cu Svc Ground | —                                                | —                                            |
| 600 A Type DTU (Series A)                                      | DT600NKD                                      | (6) 250-500 Al/Cu plus<br>(1) 6-250 Al/Cu Svc Ground                             | —                                                | —                                            |

**Table 3.50: Service Grounding Kit—Required for service equipment use**

| Switch                              | Field-Installed Service Grounding Lug Kit Cat. No. | Terminal Data AWG/kcmil              |
|-------------------------------------|----------------------------------------------------|--------------------------------------|
| 30–60 A Type DT, DTU (Series F)     | Included                                           | (3) 14-2 Al/Cu or<br>(6) 14-10 Al/Cu |
| 100 A Type DT, DTU (Series F)       | Included                                           | (3) 14 - 1/0 Al/Cu                   |
| 30 A Type 92,000 (Series T4)        | DT30SG                                             | (4) 14-4 Al/Cu                       |
| 200 A Type 82000 and DTU (Series E) | DT100SG                                            | (3) 14–1/0 Al/Cu                     |
| 400 A Type 82000 (series A)         | PKOGTA2 (2 required)                               | (4) 10–2/0 Cu or<br>(4) 6–2/0 Al     |
| 600 A Type DTU (Series A)           | DS468GKD                                           | (2) 6–250 Al/Cu<br>[40]              |

**Table 3.51: Class R Fuse Kits**

When properly installed, this kit rejects all but Class R fuses. Kits are available for field installation. For factory installation add suffix CLR to the switch catalog number.

| Switch                                           | Series Number | Class R Fuse Kit Cat. No. |
|--------------------------------------------------|---------------|---------------------------|
| Class R Fuse Kits—240 V (two kits per 3P switch) |               |                           |
| 30 A                                             | F5            | RFK03                     |
| 60 A                                             | F5            | RFK06                     |
| 100 A                                            | F5            | RFK10                     |
| Class R Fuse Kits—600 V (two kits per 3P switch) |               |                           |
| 30 A                                             | F5            | RFK06                     |
| 60 A                                             | F5            | RFK06H                    |
| 100 A                                            | F5            | RFK10                     |

**Viewing Windows:** Accessory available on 30–100 A DTU switches only. Add the suffix VW to the catalog number.

**Key Interlock Systems:** For factory-installed key interlocks, refer to page 3-17.

**Phenolic Legend Plate:** For factory-installed phenolic legend plates, refer to Supplemental Digest section 2.

**Lock-ON Provisions:** Standard feature on 30–100 A type DT and DTU (Series F), 82,000 (400 A only) and type 92,000 switches.

Feature available as factory installed option for Type 82,000 (200 A only) and 200 A DTU (Series E) switches. Add the suffix SPLO to the catalog number.

[33] Electrical interlock kit catalog numbers with “1” suffix indicate one normally open and normally closed contact; “2” indicates two normally open and two normally closed contacts. See Table 3.29 Electrical Interlock Kit, page 3-15 for electrical interlock ratings.

[34] 30–100 A Type DT, DTU (Series F) switches contain (2) separate switching mechanisms. Each mechanism will accept an electrical interlock. Some applications may therefore require (2) electrical interlocks.

[35] Double throw switches 92251, 92351, and 92451 are not available with factory or field installed electrical interlocks.

[36] Electrical interlock EK400DTU2 can be added to 200 A, 4-pole Type 82000 switches in the field.

[37] Type 82000 and DTU switches are available with electrical interlock factory-installed only. Not UL listed. Electrical interlocks are furnished with 2 N.O./N.C. contacts and are installed in both “ON” positions. To order, add suffix EI to standard switch catalog number.

[38] For 200 A Type 82000 and 30 A Type 92000 switches, a neutral assembly is available factory installed on 2P and 3P switches. Not UL Listed. To order, add suffix N to the standard catalog number. Terminated data = (3) 4 - 250 Al / Cu plug, (1) 4 - 250 Al / Cu SVC ground.

[39] Neutral assembly catalog number DT200N can be added to 4P, 200 A, Type 82000 switches in the field.

[40] (3) 6-250 ground lugs are provided as standard. DS468GKD provides an additional (2) 6-250 ground lugs.





**Rainproof Bolt-On Hubs**

- UL Listed for indoor or rainproof applications
- Suitable for use with conduit having ANSI standard taper pipe thread
- NEMA Type 3R switches with catalog number ending in RB have a bolt-on closing cap factory installed
  - Accepts 3/4 in. through 2-1/2 in. bolt-on hubs
  - No gaskets required
- NEMA Type 3R switches with R suffix have blank top endwalls
  - Accepts 3 in. through 4 in. bolt on hubs
  - Gaskets provided
  - Conduit entry holes must be cut in the field

**Table 3.52: Rainproof Bolt-On Hubs [41]**

| Conduit Size | 3/4  | 1    | 1-1/4 | 1-1/2 | 2    | 2-1/2 | 3    | 3-1/2 | 4    | Closing Cap |
|--------------|------|------|-------|-------|------|-------|------|-------|------|-------------|
| Hub Cat. No. | B075 | B100 | B125  | B150  | B200 | B250  | B300 | B350  | B400 | BCAP        |



Watertight Hubs

**Watertight Hubs**

- UL Listed for dusttight and watertight applications
- Suitable for use with conduit having ANSI standard taper pipe thread
- Watertight hubs are field installed on NEMA Type 4/4X/5 stainless steel and NEMA Type 12/3R and 12K enclosures
- Watertight hubs are available in zinc or chrome plated finish
- Gaskets provided

**Table 3.53: Watertight Hubs [42]**

| Conduit Size               | 1/2    | 3/4    | 1      | 1-1/4  | 1-1/2  | 2      | 2-1/2 | 3    | 3-1/2 | 4    |
|----------------------------|--------|--------|--------|--------|--------|--------|-------|------|-------|------|
| Standard-Zinc Hub Cat. No. | H050   | H075   | H100   | H125   | H150   | H200   | H250  | H300 | H350  | H400 |
| Chrome Plated Hub Cat. No. | H050CP | H075CP | H100CP | H125CP | H150CP | H200CP | —     | —    | —     | —    |

240 V Double Throw: [page 3-24](#)  
 600 V Double Throw: [page 3-25](#)  
 Application Data: [page 3-28](#)  
 Dimensions, 30–100 A (Series F): [page 3-30](#)  
 Dimensions, 30, 200–600 A (Series E, T4, A): [page 3-31](#)

[41] Gaskets are provided on 3 in. and larger hubs.  
 [42] Gaskets are provided.

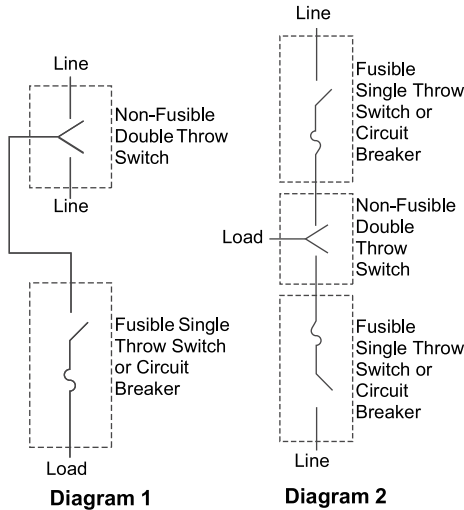
**Application Data for Double Throw Safety Switches**  
**Situations Requiring Fuses**

30–100 A Type DT (Series F):

Select DT switches from [240 Volt Double-Throw Safety Switches, page 3-24](#) and [600 Volt Double Throw Safety Switches, page 3-25](#) which have provisions for accepting fuses.

30 A, 200–600 A Type 82,000 (Series E, T4, A), all DTU devices:

Use the non-fusible double throw switches from [240 Volt Double-Throw Safety Switches, page 3-24](#) and [600 Volt Double Throw Safety Switches, page 3-25](#) in conjunction with standard fusible devices, and install them according to diagram 1 or 2, below.



**Table 3.54: UL Listed Short Circuit Current Ratings**

| Switch Type                        | Amperes  | Voltage Rating | UL Listed Fuse Class | Short Circuit Current Rating [43] (A) |
|------------------------------------|----------|----------------|----------------------|---------------------------------------|
| Type 92000                         | 30 A     | 240 V          | H, K                 | 10,000 [44]                           |
| Type DT (Series F)                 | 30–100 A | 240 V or 600 V | H, K<br>R, J         | 10,000<br>200,000                     |
| Type DTU [45] (Series F)           | 30–100 A | 240 V or 600 V | H or K<br>R, J or T  | 10,000 [44]<br>200,000                |
| DTU224NRB and DTU324NRB (Series E) | 200 A    | 240 V          | H, K                 | 10,000 [46]                           |
| DTU324N (Series E)                 | 200 A    | 240 V          | H, K<br>R, J         | 10,000 [46]<br>100,000                |
| Type 82,000                        | All      | 240 V or 600 V | H, J                 | 10,000 [46]                           |
| Type DTU (Series A)                | 600 A    | 240 V or 600 V | H, K<br>R, J, T      | 10,000<br>100,000                     |

[43] Rating applies to AC only. The UL Listed short circuit current rating for non-fusible switches is based on the switch being used in conjunction with the corresponding fuse type. Evaluation of non-fusible switches in conjunction with molded case circuit breakers has not been performed.

[44] Any brand of circuit breaker or fuse not exceeding the ampere rating of the switch may be used ahead of a non-fusible safety switch when there is up to 10 kA short circuit current available.

[45] The DTU361 and DTU361RB are also suitable for use on a circuit capable of delivering not more than

(A) 18 kA, 600 Vac maximum when protected by Type FH circuit breaker rated 30 A maximum or

(B) 14 kA, 600 Vac maximum when protected by Type FA circuit breaker rated 30 A maximum.

[46] Any brand of circuit breaker or fuse not exceeding the ampere rating of the switch may be used ahead of a non-fusible safety switch when there is up to 10 kA short circuit current available.

**Terminal Lug Data**

**Table 3.55: Terminal Lug Data for Type DT, DTU (Series F) Double Throw Safety Switches** [47]

| Switch Type                     | Wires per Phase | NEMA Type 1, 3R, 4, 4X, 12                                  |                                   |                                          | Optional Copper Only Lug                                                                                                 |
|---------------------------------|-----------------|-------------------------------------------------------------|-----------------------------------|------------------------------------------|--------------------------------------------------------------------------------------------------------------------------|
|                                 |                 | Wire Range Wire Bending Space Per NEC Table 373-6 AWG/kcmil | Standard Lug Wire Range AWG/kcmil | Optional Compression Lug Field-Installed |                                                                                                                          |
| 30–60 A Type DT, DTU (Series F) | 1               | 12–2 Al or 14–2 Cu                                          | 12–2 Al or 14–2 Cu                | C10-14, D8-14-SK, or E6-14 [48]          | See Table 3.39 Copper Lug Kits, page 3-18 and Double Lug Kits, page 3-19 for appropriate kit. Order two kits per switch. |
| 100 A Type DT, DTU (Series F)   | 1               | 12–1/0 Al or 14–1/0 Cu                                      | 12–1/0 Al or 14–1/0 Cu            | VCEL02114S1[49]                          |                                                                                                                          |

**Table 3.56: Terminal Lug Data for Types 82,000 and for A and E-Series DTU devices** [47]

| Amperes          | Wires per Phase | Wire Range Wire Bending Space Per NEC Table 373-6 AWG/kcmil | Lug Wire Range AWG/kcmil | Optional Compression Lugs Field-Installed |
|------------------|-----------------|-------------------------------------------------------------|--------------------------|-------------------------------------------|
| 30 A (Series T4) | 1               | 14–8 Al/Cu                                                  | 12–2 Al or 14–2 Cu       | —                                         |
| 200              | 1               | 6–300 Al/Cu                                                 | 6–300 Al/Cu              | VCEL030516H1[49]                          |
| 400              | 1               | 1/0–600 Al/Cu                                               | 1/0 - 750 Al/Cu          | —                                         |
|                  | 2               | 1/0–300 Al/Cu                                               | 1/0 - 300 Al/Cu          |                                           |
| 600              | 2               | 250–500 Al/Cu                                               | 250–500 Al/Cu            | —                                         |

240 V Double Throw: page 3-24  
600 V Double Throw: page 3-25  
Accessories: page 3-26  
Dimensions, 30–100 A (Series F): page 3-30  
Dimensions, 30, 200–600 A (Series E, T4, A): page 3-31

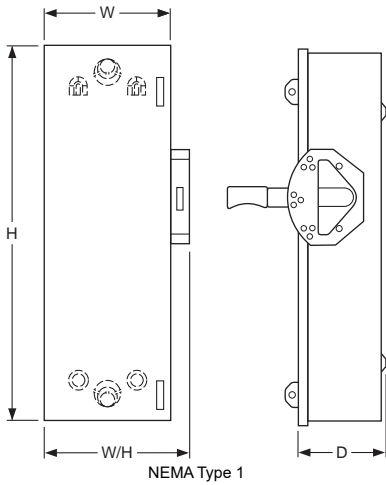
[47] 30-100 A switches suitable for 60° C or 75° C conductors. 200-600 A switches suitable for 75° C conductors.  
[48] Order from Thomas and Betts  
[49] Hubbell Versa-Crimp™ catalog numbers.

Series F Devices 30–100 A

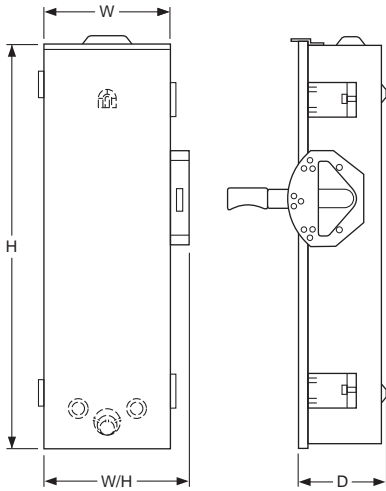
Table 3.57: 30–100 A Type DT, DTU (Series F)—Approximate Dimensions

| Cat. No.  | Series | H     |     | W     |     | W/H   |     | D    |     |
|-----------|--------|-------|-----|-------|-----|-------|-----|------|-----|
|           |        | in.   | mm  | in.   | mm  | in.   | mm  | in.  | mm  |
| DT223     | F5     | 38.00 | 965 | 9.88  | 251 | 11.13 | 283 | 6.75 | 171 |
| DT223RB   | F5     | 38.00 | 965 | 6.87  | 174 | 8.12  | 206 | 6.60 | 168 |
| DT321     | F5     | 38.00 | 965 | 10.25 | 260 | 11.50 | 292 | 6.75 | 171 |
| DT321RB   | F5     | 38.00 | 965 | 10.25 | 260 | 11.80 | 300 | 6.60 | 168 |
| DT322     | F5     | 38.00 | 965 | 10.25 | 260 | 11.50 | 292 | 6.75 | 171 |
| DT322RB   | F5     | 38.00 | 965 | 10.25 | 260 | 11.80 | 300 | 6.60 | 168 |
| DT323     | F5     | 38.00 | 965 | 9.88  | 251 | 11.13 | 283 | 6.75 | 171 |
| DT323RB   | F5     | 38.00 | 965 | 6.87  | 174 | 8.12  | 206 | 6.60 | 168 |
| DT361     | F5     | 38.00 | 965 | 10.25 | 260 | 11.50 | 292 | 6.75 | 171 |
| DT361RB   | F5     | 38.00 | 965 | 10.25 | 260 | 11.80 | 300 | 6.60 | 168 |
| DT362     | F5     | 38.00 | 965 | 10.25 | 260 | 11.50 | 292 | 6.75 | 171 |
| DT362RB   | F5     | 38.00 | 965 | 10.25 | 260 | 11.80 | 300 | 6.60 | 168 |
| DT363     | F5     | 38.00 | 965 | 9.88  | 251 | 11.13 | 283 | 6.75 | 171 |
| DT363RB   | F5     | 38.00 | 965 | 6.87  | 174 | 8.12  | 206 | 6.60 | 168 |
| DTU222    | F5     | 29.94 | 760 | 10.25 | 260 | 11.96 | 304 | 6.93 | 176 |
| DTU223    | F5     | 29.94 | 760 | 10.25 | 260 | 11.96 | 304 | 6.93 | 176 |
| DTU223RB  | F5     | 30.50 | 775 | 10.25 | 260 | 11.96 | 304 | 6.93 | 176 |
| DTU321    | F5     | 29.94 | 760 | 10.25 | 260 | 11.96 | 304 | 6.93 | 176 |
| DTU322    | F5     | 29.94 | 760 | 10.25 | 260 | 11.96 | 304 | 6.93 | 176 |
| DTU323    | F5     | 29.94 | 760 | 10.25 | 260 | 11.96 | 304 | 6.93 | 176 |
| DTU323RB  | F5     | 30.50 | 775 | 10.25 | 260 | 11.96 | 304 | 6.93 | 176 |
| DTU361    | F5     | 29.94 | 760 | 10.25 | 260 | 11.96 | 304 | 6.93 | 176 |
| DTU361RB  | F5     | 30.50 | 775 | 10.25 | 260 | 11.96 | 304 | 6.93 | 176 |
| DTU362    | F5     | 29.94 | 760 | 10.25 | 260 | 11.96 | 304 | 6.93 | 176 |
| DTU362AWK | F6     | 29.94 | 760 | 10.25 | 260 | 11.96 | 304 | 6.93 | 176 |
| DTU362DS  | F6     | 30.26 | 769 | 10.25 | 260 | 11.50 | 292 | 7.12 | 181 |
| DTU362RB  | F5     | 30.50 | 775 | 10.25 | 260 | 11.96 | 304 | 6.93 | 176 |
| DTU363    | F5     | 29.94 | 760 | 10.25 | 260 | 11.96 | 304 | 6.93 | 176 |
| DTU363AWK | F6     | 29.94 | 760 | 10.25 | 260 | 11.96 | 304 | 6.93 | 176 |
| DTU363DS  | F6     | 30.26 | 769 | 10.25 | 260 | 11.50 | 292 | 7.12 | 181 |
| DTU363RB  | F5     | 30.50 | 775 | 10.25 | 260 | 11.96 | 304 | 6.93 | 176 |
| DTU462    | F5     | 29.94 | 760 | 10.25 | 260 | 11.96 | 304 | 6.93 | 176 |
| DTU462AWK | F6     | 30.26 | 769 | 15.50 | 394 | 16.75 | 425 | 7.12 | 181 |
| DTU462DS  | F6     | 30.26 | 769 | 15.50 | 394 | 16.75 | 425 | 7.12 | 181 |
| DTU463    | F5     | 29.94 | 760 | 10.25 | 260 | 11.96 | 304 | 6.93 | 176 |
| DTU463AWK | F6     | 30.26 | 769 | 15.50 | 394 | 16.75 | 425 | 7.12 | 181 |
| DTU463DS  | F6     | 30.26 | 769 | 15.50 | 394 | 16.75 | 425 | 7.12 | 181 |
| DTU662AWK | F6     | 30.26 | 769 | 15.50 | 394 | 16.75 | 425 | 7.12 | 181 |
| DTU663AWK | F6     | 30.26 | 769 | 15.50 | 394 | 16.75 | 425 | 7.12 | 181 |

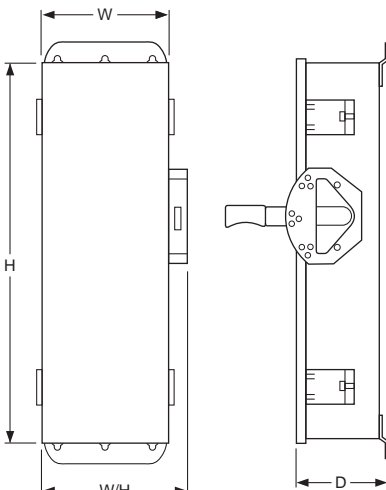
240 V Double Throw: page 3-24  
 600 V Double Throw: page 3-25  
 Accessories: page 3-26  
 Application Data: page 3-28  
 Dimensions, 30, 200–600 A (Series E, T4, A): page 3-31



NEMA Type 1



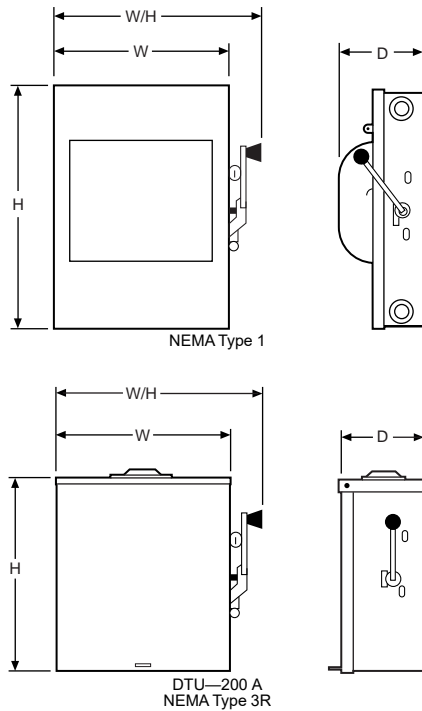
NEMA Type 3R



NEMA Type 4, 4X, 5, and 12

**Series A, E, and T4 Devices**

**Table 3.58: 200–600 A Types 82,000 and E-Series DTU and 30 A devices—Approximate Dimensions**



| Cat. No.  | Series | H     |      | W     |     | W/H   |     | D     |     |
|-----------|--------|-------|------|-------|-----|-------|-----|-------|-----|
|           |        | in.   | mm   | in.   | mm  | in.   | mm  | in.   | mm  |
| DTU224NRB | E1     | 32.50 | 826  | 20.63 | 524 | 24.00 | 610 | 10.63 | 270 |
| 82254     | E1     | 30.88 | 784  | 15.75 | 400 | 19.63 | 499 | 9.75  | 248 |
| 82254NW   | E1     | 30.88 | 784  | 20.00 | 508 | 23.88 | 607 | 11.75 | 298 |
| 82344     | E2     | 30.88 | 784  | 20.00 | 508 | 23.88 | 607 | 11.75 | 298 |
| 82344RB   | E1     | 32.50 | 826  | 20.63 | 524 | 24.00 | 610 | 10.63 | 270 |
| 82354     | E1     | 30.88 | 784  | 20.00 | 508 | 23.88 | 607 | 11.75 | 298 |
| 92251     | T4     | 10.00 | 254  | 8.00  | 203 | 9.75  | 248 | 4.75  | 121 |
| 82344DS   | E1     | 30.88 | 784  | 20.00 | 508 | 23.88 | 607 | 11.75 | 298 |
| DTU324N   | E1     | 32.50 | 826  | 24.50 | 622 | 26.25 | 667 | 10.63 | 270 |
| DTU324NRB | E1     | 32.50 | 826  | 24.50 | 622 | 26.25 | 667 | 10.63 | 270 |
| H82344    | E2     | 32.50 | 826  | 24.50 | 622 | 26.25 | 667 | 10.63 | 270 |
| H82444    | E2     | 32.50 | 826  | 30.21 | 767 | 33.61 | 854 | 10.63 | 270 |
| H82454    | E3     | 32.50 | 826  | 30.21 | 767 | 33.61 | 854 | 10.63 | 270 |
| 82454     | E3     | 38.00 | 965  | 29.62 | 753 | 33.02 | 839 | 10.63 | 270 |
| 82444     | E3     | 38.00 | 965  | 29.62 | 753 | 33.02 | 839 | 10.63 | 270 |
| 82454R    | E3     | 38.00 | 965  | 29.62 | 753 | 33.02 | 839 | 10.63 | 270 |
| 82444R    | E3     | 38.00 | 965  | 29.62 | 753 | 33.02 | 839 | 10.63 | 270 |
| H82254    | E3     | 32.50 | 826  | 24.50 | 622 | 26.25 | 667 | 10.63 | 270 |
| H82354    | E3     | 32.50 | 826  | 24.50 | 622 | 26.25 | 667 | 10.63 | 270 |
| 82444DS   | E3     | 38.00 | 965  | 29.62 | 753 | 33.02 | 839 | 10.63 | 270 |
| 82255     | A1     | 38.50 | 978  | 26.10 | 663 | 29.51 | 750 | 10.63 | 270 |
| 82255R    | A1     | 39.00 | 991  | 26.62 | 676 | 30.02 | 763 | 10.63 | 270 |
| 82345     | A1     | 38.50 | 978  | 26.10 | 663 | 29.51 | 750 | 10.63 | 270 |
| 82345DS   | A1     | 39.00 | 991  | 26.62 | 676 | 30.02 | 763 | 10.63 | 270 |
| 82345R    | A1     | 39.00 | 991  | 26.62 | 676 | 30.02 | 763 | 10.63 | 270 |
| 82355     | A1     | 38.50 | 978  | 26.10 | 663 | 29.51 | 750 | 10.63 | 270 |
| 82355R    | A1     | 39.00 | 991  | 26.62 | 676 | 30.02 | 763 | 10.63 | 270 |
| 82445     | A1     | 38.50 | 978  | 30.10 | 765 | 33.50 | 851 | 10.63 | 270 |
| 82445R    | A1     | 39.00 | 991  | 30.21 | 767 | 33.61 | 854 | 10.63 | 270 |
| 82455     | A1     | 38.50 | 978  | 30.10 | 765 | 33.50 | 851 | 10.63 | 270 |
| 82455R    | A1     | 39.00 | 991  | 30.21 | 767 | 33.61 | 854 | 10.63 | 270 |
| H82255    | A1     | 39.00 | 991  | 26.62 | 676 | 30.02 | 763 | 10.63 | 270 |
| H82345    | A1     | 39.00 | 991  | 26.62 | 676 | 30.02 | 763 | 10.63 | 270 |
| H82355    | A1     | 39.00 | 991  | 26.62 | 676 | 30.02 | 763 | 10.63 | 270 |
| H82445    | A1     | 39.00 | 991  | 30.21 | 767 | 33.61 | 854 | 10.63 | 270 |
| H82455    | A1     | 39.00 | 991  | 30.21 | 767 | 33.61 | 854 | 10.63 | 270 |
| DTU326    | A1     | 63.31 | 1608 | 23.66 | 601 | 24.46 | 621 | 8.88  | 226 |
| DTU426    | A1     | 63.31 | 1608 | 27.00 | 686 | 27.80 | 706 | 8.88  | 226 |
| DTU366    | A1     | 63.31 | 1608 | 23.66 | 601 | 24.46 | 621 | 8.88  | 226 |
| DTU466    | A1     | 63.31 | 1608 | 27.00 | 686 | 27.80 | 706 | 8.88  | 226 |
| DTU326R   | A1     | 63.76 | 1619 | 23.66 | 601 | 24.46 | 621 | 8.88  | 226 |
| DTU426R   | A1     | 63.76 | 1619 | 27.00 | 686 | 27.80 | 706 | 8.88  | 226 |
| DTU366R   | A1     | 63.76 | 1619 | 23.66 | 601 | 24.46 | 621 | 8.88  | 226 |
| DTU466R   | A1     | 63.76 | 1619 | 27.00 | 686 | 27.80 | 706 | 8.88  | 226 |
| DTU366AWK | A1     | 63.76 | 1619 | 23.66 | 601 | 24.46 | 621 | 8.88  | 226 |

240 V Double Throw: [page 3-24](#)  
 600 V Double Throw: [page 3-25](#)  
 Accessories: [page 3-26](#)  
 Application Data: [page 3-28](#)  
 Dimensions, 30–100 A (Series F): [page 3-30](#)

**1000 Vdc Photovoltaic Heavy Duty Disconnect Switch**

Put over 100 years of Schneider Electric’s experience as a global specialist in energy management to work on your photovoltaic (PV) project. The Square D 1000 Vdc disconnect switch is the perfect solution for your 1000 Vdc, PV disconnect applications. It is compact and available in both a 100 and 200 amp non-fusible versions. IEC 60947-1 and UL 98 certified (file E343341).



**Extended Life Expectancy**

- Exceeds IEC 60947-3 mechanical endurance requirements by factor of 18
- Exceeds IEC 60947-1 electrical endurance requirements by factor of 10
- Exceeds NEMA KS-1 mechanical endurance requirements by factor of 3.

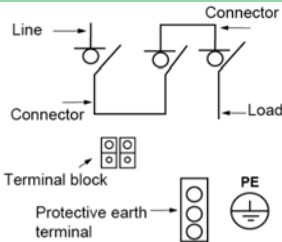
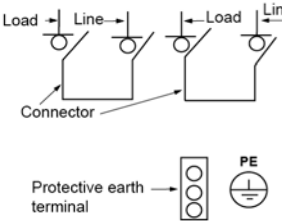
**Designed for Harsh PV Environments**

- NEMA Type 3 and IP63 enclosure
- Resists windblown dirt/dust
- Exceeds NEMA Type 1, 3R and 12
- Operating range of -37°C to 50°C
- Specially designed PV paint reduces solar gain up to 35% over standard grey enclosures

**Easy to Install**

- Preconfigured solar solution
- Familiar enclosed safety switch design
- Suitable for both grounded and ungrounded PV

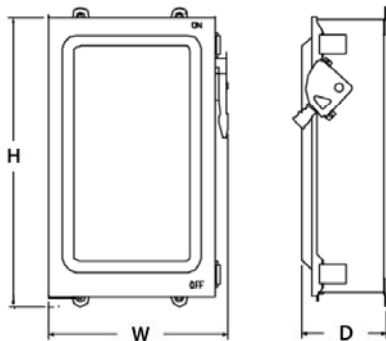
**Table 3.59: 1000 Vdc Photovoltaic Heavy Duty Disconnect Switches** [1] [2] [3] [4]

| System                                                                            | NEMA Type 1, 3R, 12, 3 and IP63 |           | Dimensions   |             |             |
|-----------------------------------------------------------------------------------|---------------------------------|-----------|--------------|-------------|-------------|
|                                                                                   | Amperes                         | Cat. No.  | Height (in.) | Width (in.) | Depth (in.) |
| <b>3 Pole Grounded</b> [5]                                                        |                                 |           |              |             |             |
|  | 100                             | REHU393IP | 22.13        | 18.63       | 8.75        |
|                                                                                   | 200                             | REHU394IP | 22.13        | 18.63       | 8.75        |
| <b>4 Pole Ungrounded</b>                                                          |                                 |           |              |             |             |
|  | 100                             | REHU493IP | 29.00        | 18.63       | 8.75        |
|                                                                                   | 200                             | REHU494IP | 29.00        | 18.63       | 8.75        |

3 SAFETY SWITCHES

**Table 3.60: 200 A Enclosed Switch—Approximate Dimensions**

| Switch | H     |     | W     |     | D    |     |
|--------|-------|-----|-------|-----|------|-----|
|        | in.   | mm  | in.   | mm  | in.  | mm  |
| 100 A  | 21.75 | 552 | 18.86 | 479 | 8.75 | 197 |
| 200 A  | 29.00 | 737 | 18.86 | 479 | 8.75 | 197 |



200 A Enclosed Switch Dimensions

**California Proposition 65 Message**

**⚠ WARNING:** Some of the products listed in this document can expose you to chemicals which are known to the State of California to cause cancer, birth defects, or other reproductive harm.

For more information, go to <https://www.p65warnings.ca.gov/>.

[1] Order **EIK1PV** for single contact field-installed kit.  
 [2] Order **EIK2PV** for double contact field-installed kit.  
 [3] Terminal block accommodates (2) 250 max Cu or (1) 1/0 max Cu wiring; Order **SN20CPV** for field-installed kit.  
 [4] Order **REHGNDKIT** for field installable ground lug kit.  
 [5] Terminal blocks standard with 3 pole switches; accommodates (2) 1/0 max Al/Cu or (2) 6 max Al/Cu wiring.