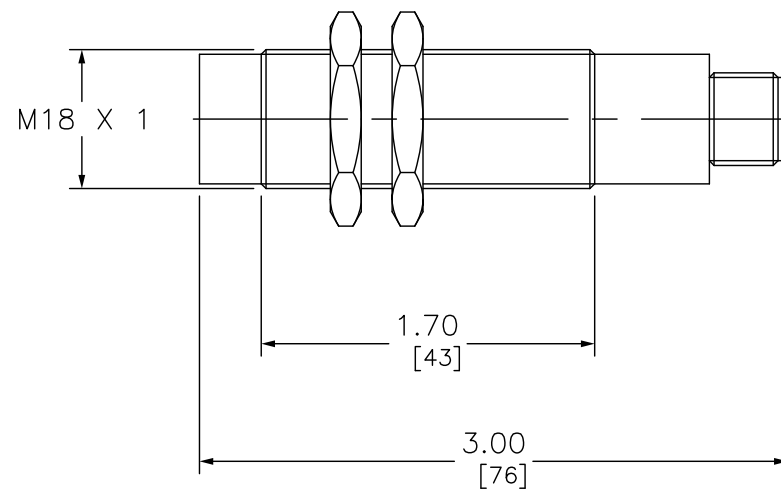


LEFT



FRONT

DUAL DIMENSIONS: INCHES
MILLIMETERS

PHOTOELECTRIC SENSOR 18MM NPN XUB



DWG# XUB5ANANM12
NO.