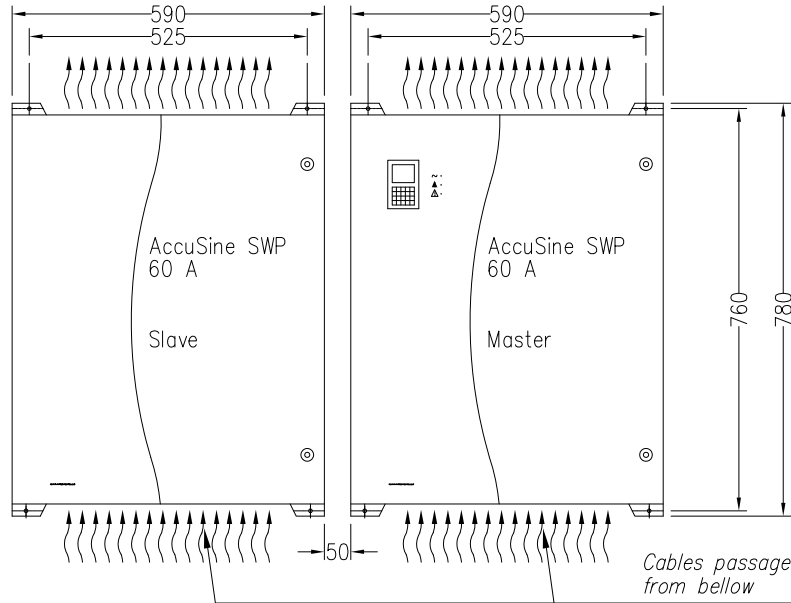
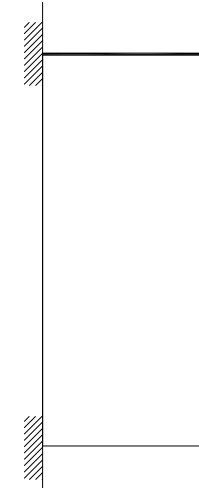


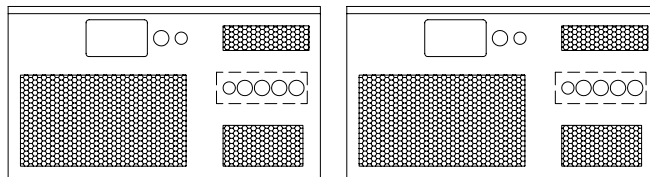
TOP VIEW



FRONT VIEW



SIDE VIEW



BOTTOM VIEW

---	---
Weight (kg)	220
Air extraction (m ³ /h)	2000
Heat Losses (kw)	4.8

THIS DRAWING AND SPECIFICATIONS HEREIN ARE THE PROPERTY OF SCHNEIDER ELECTRIC AND SHALL NOT BE COPIED, REPRODUCED OR USED IN WHOLE OR IN PART, AS THE BASIS FOR THE MANUFACTURE OR SALE OF ITEMS WITHOUT WRITTEN PERMISSION FROM SCHNEIDER ELECTRIC. THIS DRAWING IS BASED UPON LATEST AVAILABLE INFORMATION AND IS SUBJECT TO CHANGE WITHOUT NOTICE.



TITLE:
AccuSine SWP
120A
Overall Dimension

DWG NO: 37GAW120

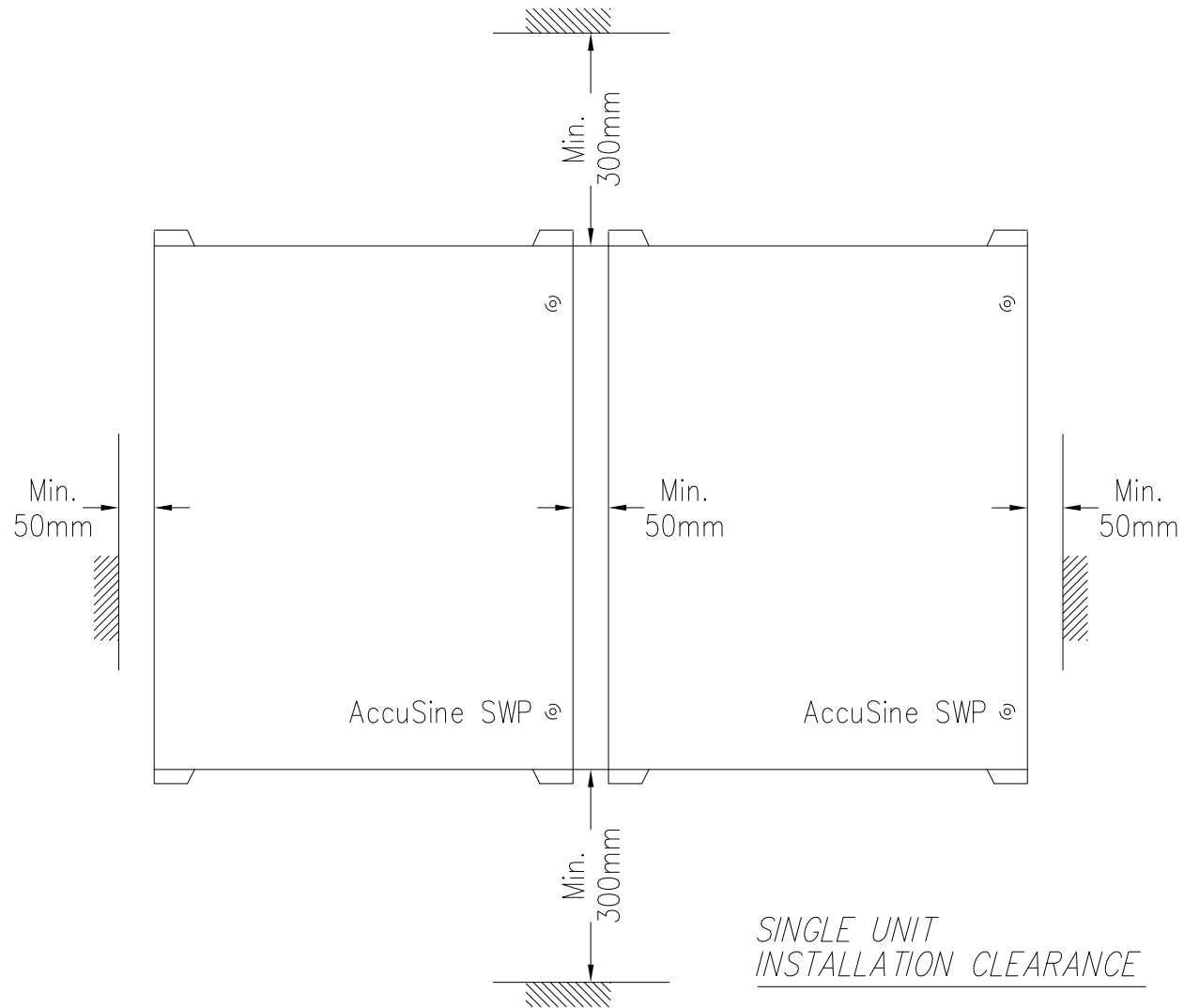
REV. 0

DRAWN: T.Chung 30-Jan-13

ENGINEER: K.Dooley 30-Jan-13

PROJECT: Submittal Drawing SHEET 1 OF 4

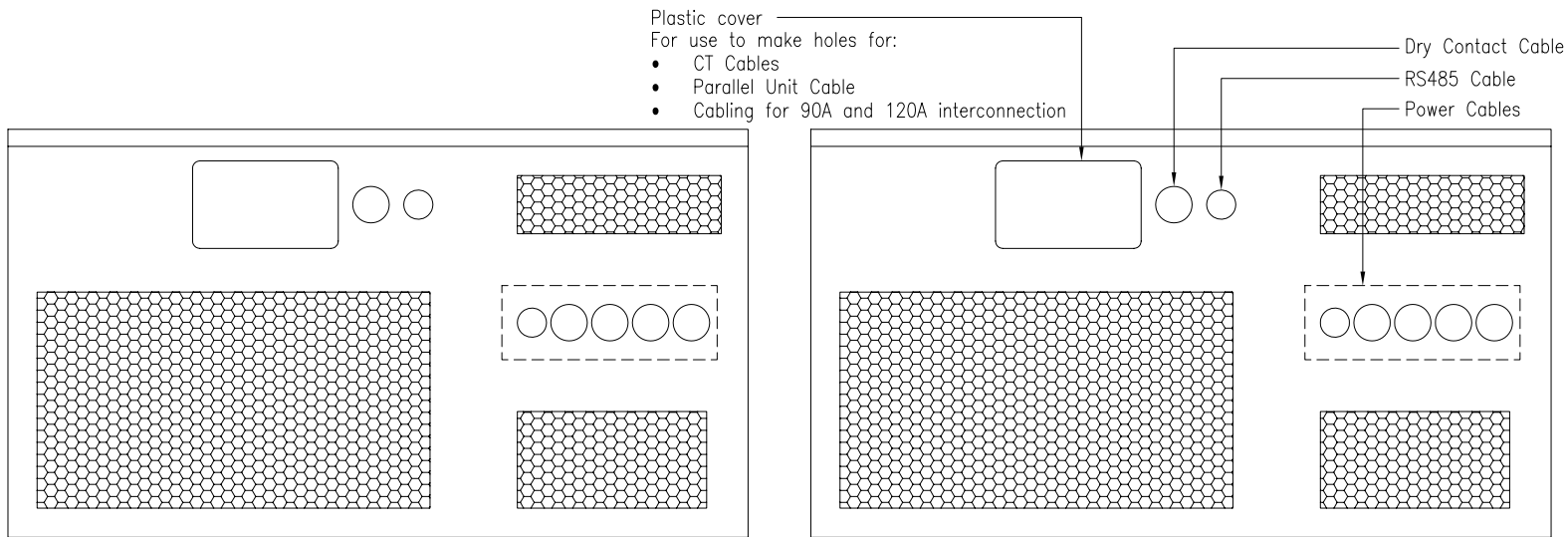
APPROVED: M.Weisenbloom 30-Jan-13



THIS DRAWING AND SPECIFICATIONS HEREIN ARE THE PROPERTY OF SCHNEIDER ELECTRIC AND SHALL NOT BE COPIED, REPRODUCED OR USED IN WHOLE OR IN PART, AS THE BASIS FOR THE MANUFACTURE OR SALE OF ITEMS WITHOUT WRITTEN PERMISSION FROM SCHNEIDER ELECTRIC. THIS DRAWING IS BASED UPON LATEST AVAILABLE INFORMATION AND IS SUBJECT TO CHANGE WITHOUT NOTICE.



TITLE:	AccuSine SWP 120A Installation Details	DWG NO:	37GAW120	REV.	0
DRAWN:	T.Chung	30-Jan-13			
ENGINEER:	K.Dooley	30-Jan-13			
PROJECT:	Submittal Drawing	SHEET 2 OF 4	APPROVED:	M.Weisenbloom	30-Jan-13



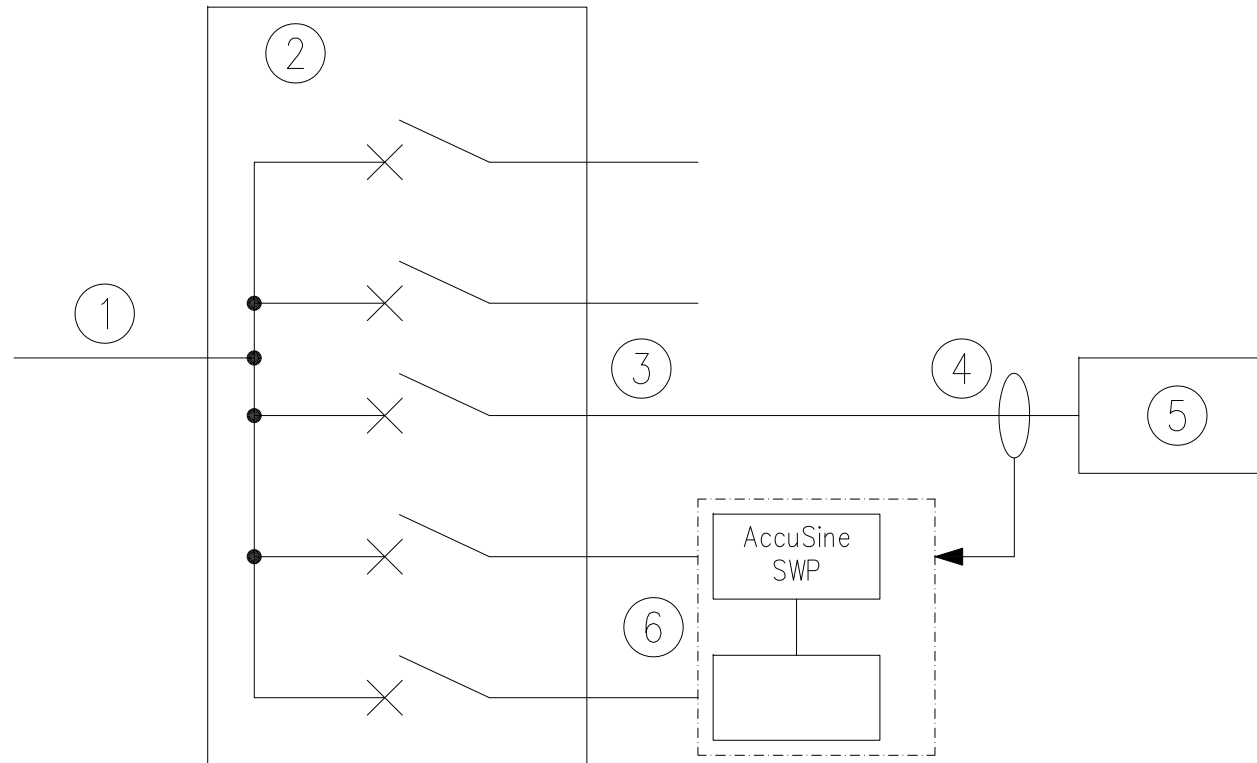
Bottom View

THIS DRAWING AND SPECIFICATIONS HEREIN ARE THE PROPERTY OF SCHNEIDER ELECTRIC AND SHALL NOT BE COPIED, REPRODUCED OR USED IN WHOLE OR IN PART, AS THE BASIS FOR THE MANUFACTURE OR SALE OF ITEMS WITHOUT WRITTEN PERMISSION FROM SCHNEIDER ELECTRIC. THIS DRAWING IS BASED UPON LATEST AVAILABLE INFORMATION AND IS SUBJECT TO CHANGE WITHOUT NOTICE.



TITLE:	AccuSine SWP 120A Cable Entry	DWG NO:	37GAW120	REV:	0
DRAWN:	T.Chung	30-Jan-13			
ENGINEER:	K.Dooley	30-Jan-13			
PROJECT:	Submittal Drawing	SHEET 3 OF 4	APPROVED:	M.Weisenbloom	30-Jan-13

Single Line Diagram for 120A Single Unit.



Note

- ① Utility network
- ② Low voltage distribution switchboard
- ③ Harmonic current to be compensated
- ④ Current sensor (CT)
- ⑤ Load to be compensated
- ⑥ Harmonic compensating current

THIS DRAWING AND SPECIFICATIONS HEREIN ARE THE PROPERTY OF SCHNEIDER ELECTRIC AND SHALL NOT BE COPIED, REPRODUCED OR USED IN WHOLE OR IN PART, AS THE BASIS FOR THE MANUFACTURE OR SALE OF ITEMS WITHOUT WRITTEN PERMISSION FROM SCHNEIDER ELECTRIC. THIS DRAWING IS BASED UPON LATEST AVAILABLE INFORMATION AND IS SUBJECT TO CHANGE WITHOUT NOTICE.

Schneider Electric

TITLE:
AccuSine SWP
120A
Single Line Diagram

DWG NO: 37GAW120 REV. 0

DRAWN: T.Chung 30-Jan-13

ENGINEER: K.Dooley 30-Jan-13

PROJECT: Submittal Drawing SHEET 4 OF 4

APPROVED: M.Weisenbloom 30-Jan-13