

**NOTES:**

1. COMPLY WITH ALL APPLICABLE NATIONAL, STATE AND LOCAL ELECTRICAL REGULATIONS.
2. REFER TO THE PRODUCT DOCUMENTATION FOR ADDITIONAL DETAILS PRIOR TO INSTALLATION AND SITE PREPARATION WORK.

THIS DRAWING AND SPECIFICATIONS HEREIN ARE THE PROPERTY OF SCHNEIDER ELECTRIC AND SHALL NOT BE COPIED, REPRODUCED OR USED IN WHOLE OR IN PART, AS THE BASIS FOR THE MANUFACTURE OR SALE OF ITEMS WITHOUT WRITTEN PERMISSION FROM SCHNEIDER ELECTRIC. THIS DRAWING IS BASED UPON LATEST AVAILABLE INFORMATION AND IS SUBJECT TO CHANGE WITHOUT NOTICE.



TITLE: NetShelter CX Enclosure,  
International 24U  
750mm WIDEx1130mm DEEP  
ISOMETRIC VIEWS

PROJECT: SUBMITTAL DRAWINGS SHEET 1 OF 5

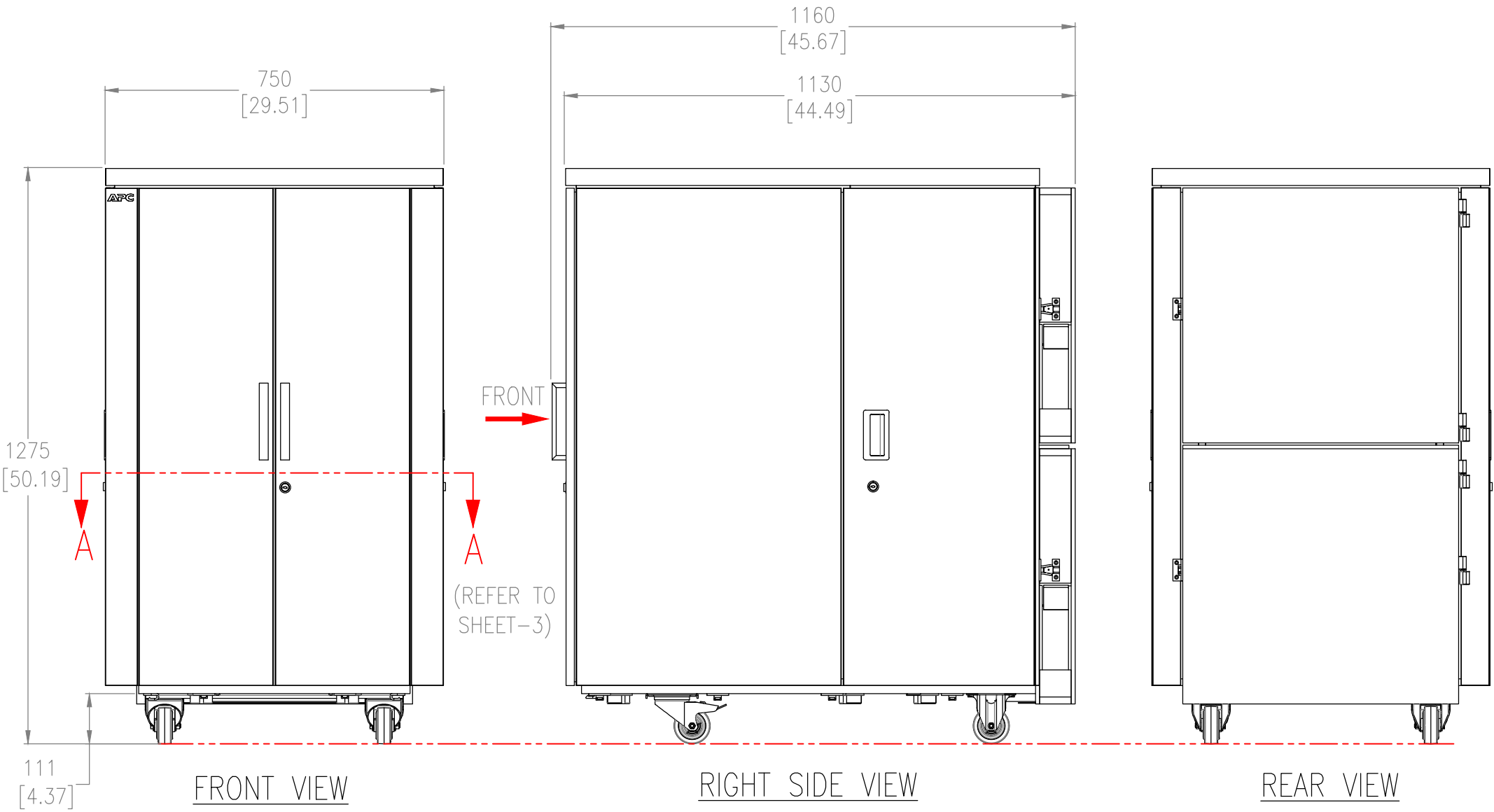
DWG NO: AR40241A

DRAWN BY: A DAVE 14-AUG-14

ENGINEER: A DAVE 14-AUG-14

APPROVED BY: S. FITTON 14-AUG-14

REV: 2  
THIRD  
ANGLE  
PROJECTION



- NOTES:**
1. COMPLY WITH ALL APPLICABLE NATIONAL, STATE AND LOCAL ELECTRICAL REGULATIONS.
  2. REFER TO THE PRODUCT DOCUMENTATION FOR ADDITIONAL DETAILS PRIOR TO INSTALLATION AND SITE PREPARATION WORK.
  3. ALL DIMENSIONS ARE IN MILLIMETERS [INCHES].
  4. SHIPPING WEIGHT OF ENCLOSURE IS 200.00 Kg [440.92 lb].
  5. CABLE ENTRY IS AT BOTTOM OF ENCLOSURE.
  6. FRONT AND REAR ACCESS AVAILABLE.
  7. ENCLOSURE WHEN SHIPPED DOES NOT HAVE PLINTH AND LEVELING FEET ATTACHED BUT ARE INCLUDED INSIDE THE ENCLOSURE. SEE SHEET 4 FOR DETAILS.

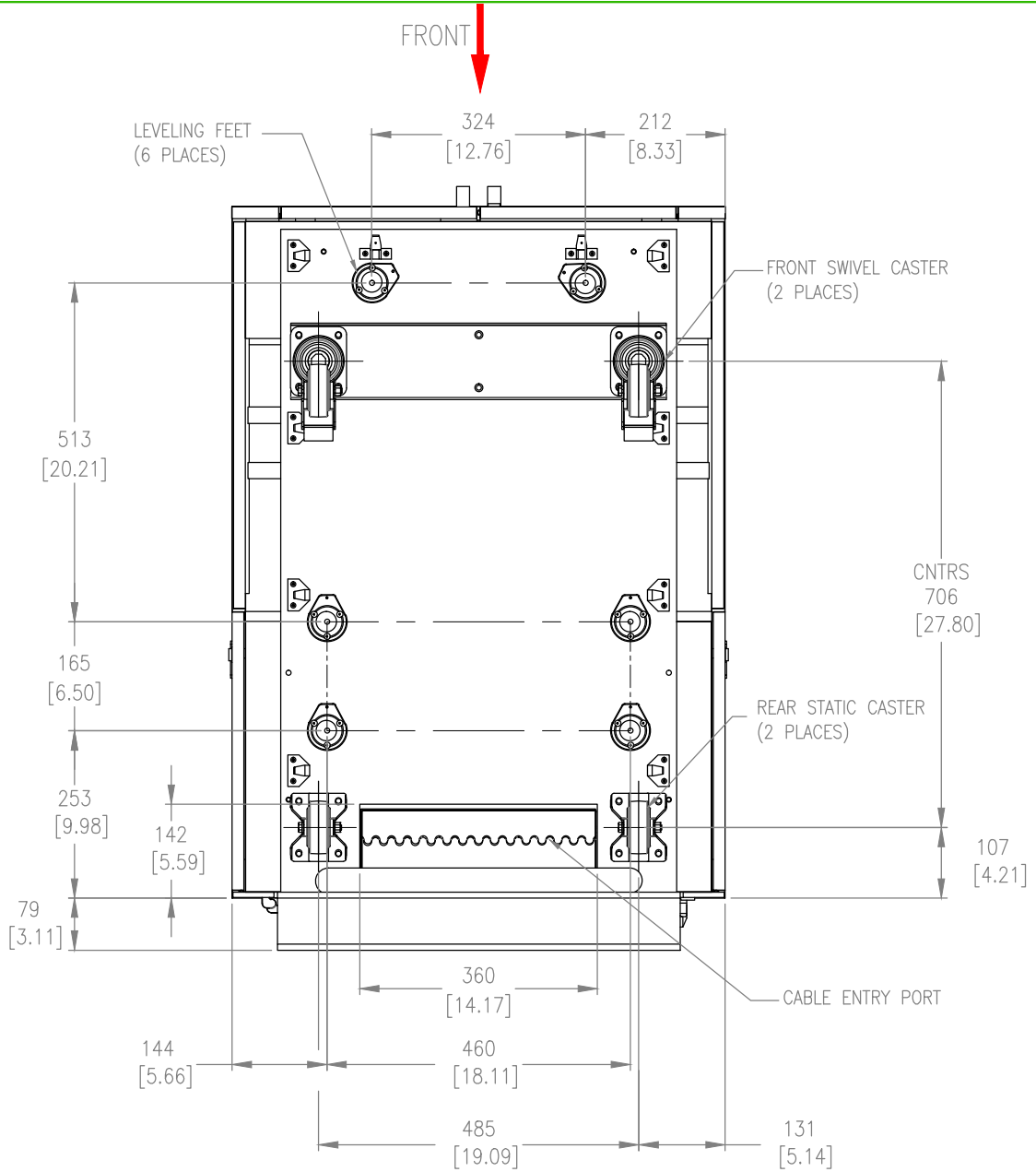
THIS DRAWING AND SPECIFICATIONS HEREIN ARE THE PROPERTY OF SCHNEIDER ELECTRIC AND SHALL NOT BE COPIED, REPRODUCED OR USED IN WHOLE OR IN PART, AS THE BASIS FOR THE MANUFACTURE OR SALE OF ITEMS WITHOUT WRITTEN PERMISSION FROM SCHNEIDER ELECTRIC. THIS DRAWING IS BASED UPON LATEST AVAILABLE INFORMATION AND IS SUBJECT TO CHANGE WITHOUT NOTICE.



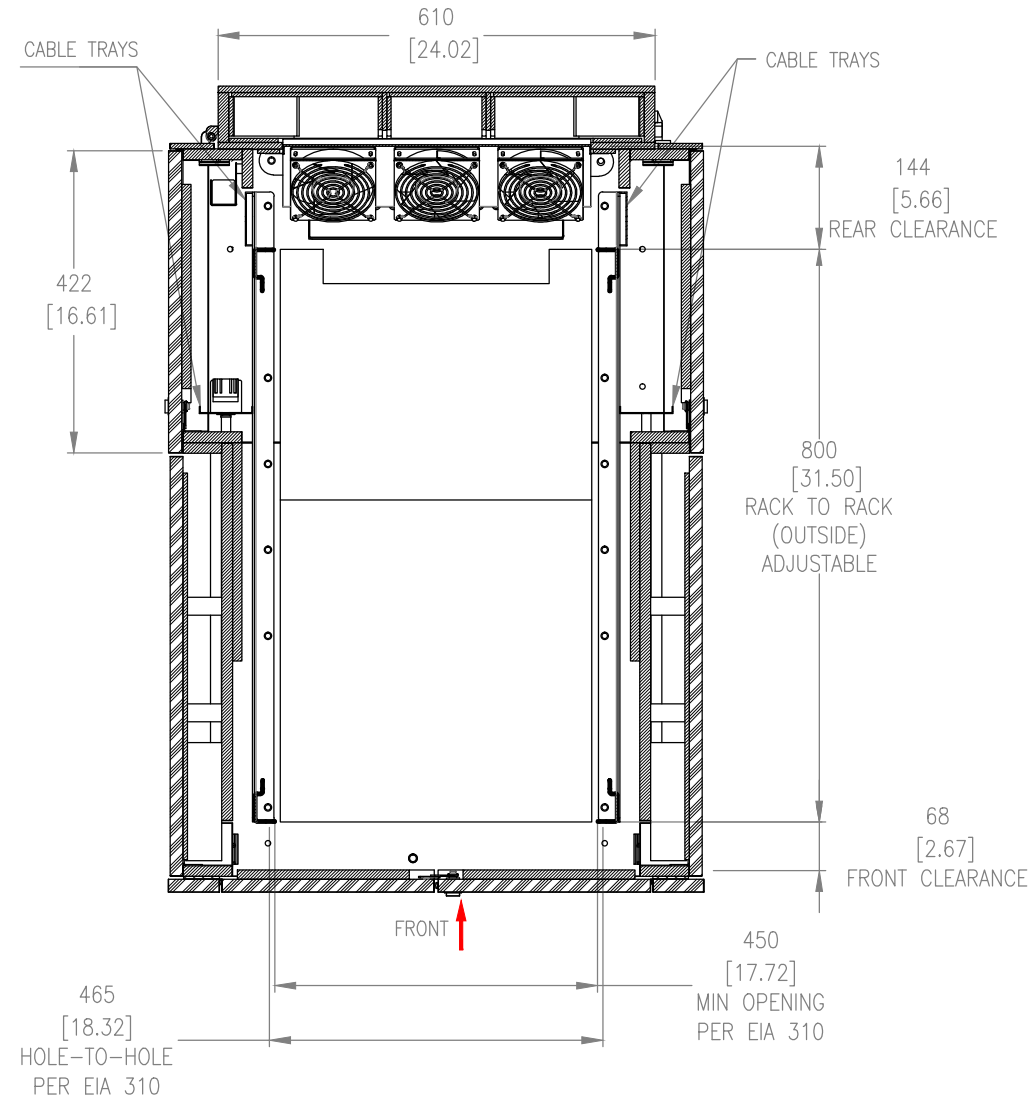
TITLE: NetShelter CX Enclosure, International 24U  
750mm WIDEx1130mm DEEP  
MAIN MECHANICAL

DWG NO: AR4024IA  
DRAWN BY: A.DAVE 30-JUN-14  
ENGINEER: A.DAVE 30-JUN-14  
APPROVED BY: S.FITTON 30-JUN-14

REV: 2  
THIRD ANGLE PROJECTION



**BOTTOM VIEW**



**SECTION A-A**  
(VIEW FROM INSIDE ENCLOSURE  
LOOKING DOWN)

**NOTES:**

1. COMPLY WITH ALL APPLICABLE NATIONAL, STATE AND LOCAL ELECTRICAL REGULATIONS.
2. REFER TO THE PRODUCT DOCUMENTATION FOR ADDITIONAL DETAILS PRIOR TO INSTALLATION AND SITE PREPARATION WORK.
3. ALL DIMENSIONS ARE IN MILLIMETERS [INCHES].

THIS DRAWING AND SPECIFICATIONS HEREIN ARE THE PROPERTY OF SCHNEIDER ELECTRIC AND SHALL NOT BE COPIED, REPRODUCED OR USED IN WHOLE OR IN PART, AS THE BASIS FOR THE MANUFACTURE OR SALE OF ITEMS WITHOUT WRITTEN PERMISSION FROM SCHNEIDER ELECTRIC. THIS DRAWING IS BASED UPON LATEST AVAILABLE INFORMATION AND IS SUBJECT TO CHANGE WITHOUT NOTICE.



TITLE: NetShelter CX Enclosure  
International 24U  
750mm WIDEx1130mm DEEP  
BOTTOM AND SECTION VIEWS

PROJECT: SUBMITTAL DRAWINGS SHEET 3 OF 5

DWG NO: AR4024IA

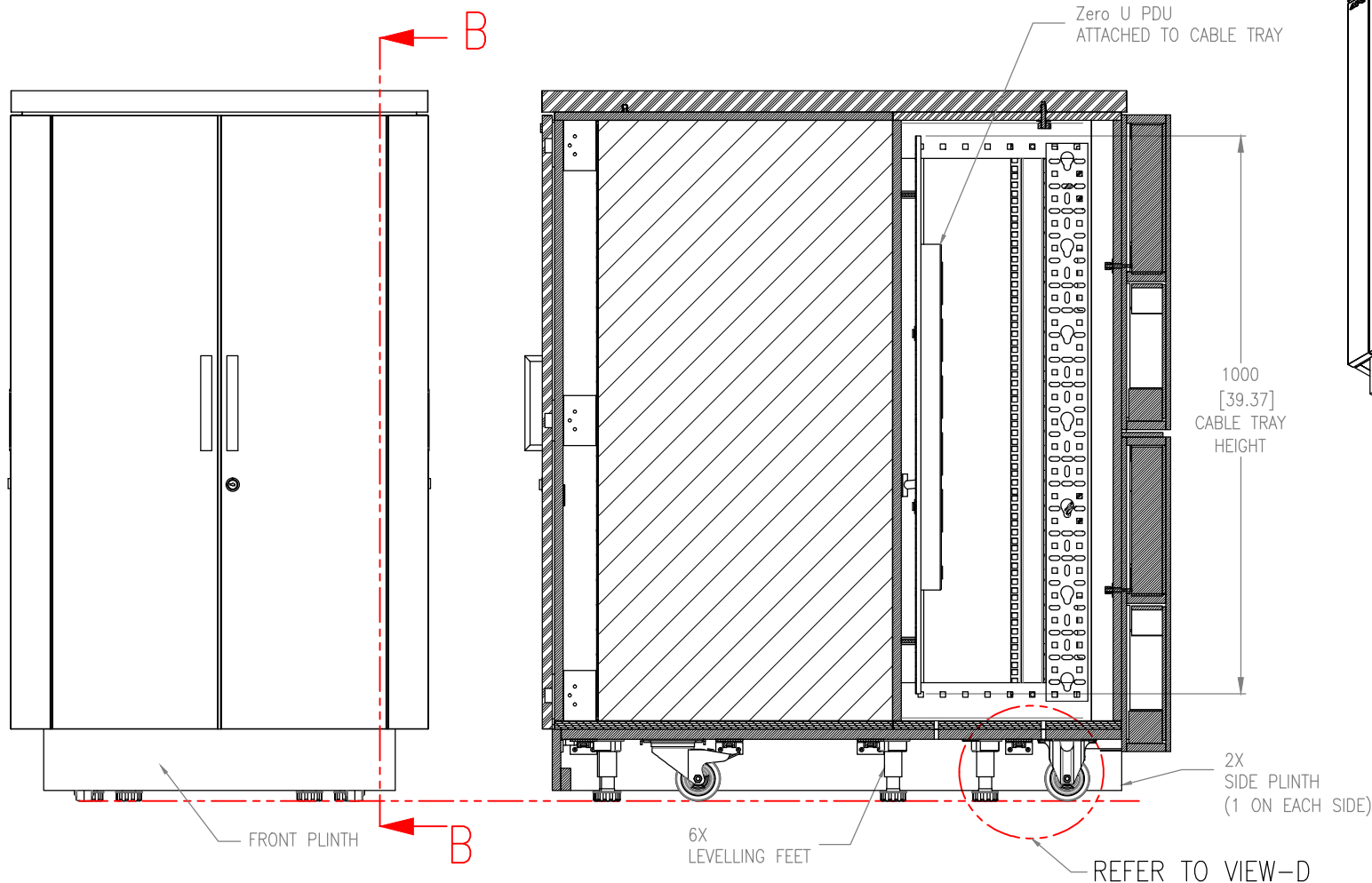
DRAWN BY: A.DAVE 30-JUN-14

ENGINEER: A.DAVE 30-JUN-14

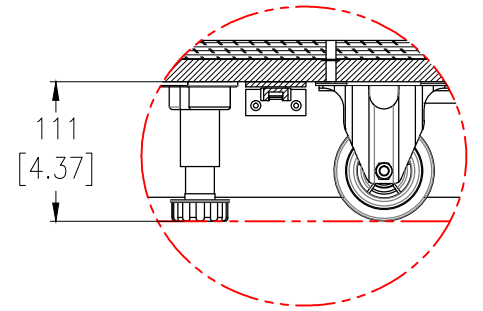
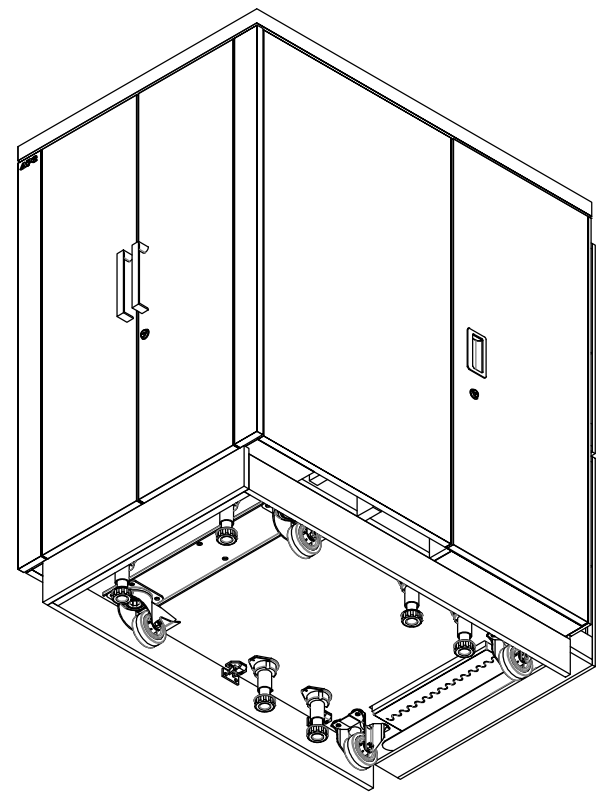
APPROVED BY: S.FITTON 30-JUN-14

REV. 1

THIRD ANGLE PROJECTION



SECTION B-B



VIEW-D (ENLARGED)  
(WITH ENCLOSURE RESTING ON LEVELLING FEET & WHEELS)

NOTES:

1. COMPLY WITH ALL APPLICABLE NATIONAL, STATE AND LOCAL ELECTRICAL REGULATIONS.
2. REFER TO THE PRODUCT DOCUMENTATION FOR ADDITIONAL DETAILS PRIOR TO INSTALLATION AND SITE PREPARATION WORK.
3. ALL DIMENSIONS ARE IN MILLIMETERS [INCHES].

THIS DRAWING AND SPECIFICATIONS HEREIN ARE THE PROPERTY OF SCHNEIDER ELECTRIC AND SHALL NOT BE COPIED, REPRODUCED OR USED IN WHOLE OR IN PART, AS THE BASIS FOR THE MANUFACTURE OR SALE OF ITEMS WITHOUT WRITTEN PERMISSION FROM SCHNEIDER ELECTRIC. THIS DRAWING IS BASED UPON LATEST AVAILABLE INFORMATION AND IS SUBJECT TO CHANGE WITHOUT NOTICE.



TITLE: NetShelter CX Enclosure, International 24U 750mm WIDEx1130mm DEEP WITH PLINTH AND FEET ATTACHED

PROJECT: SUBMITTAL DRAWINGS SHEET 4 OF 5

DWG NO: AR40241A

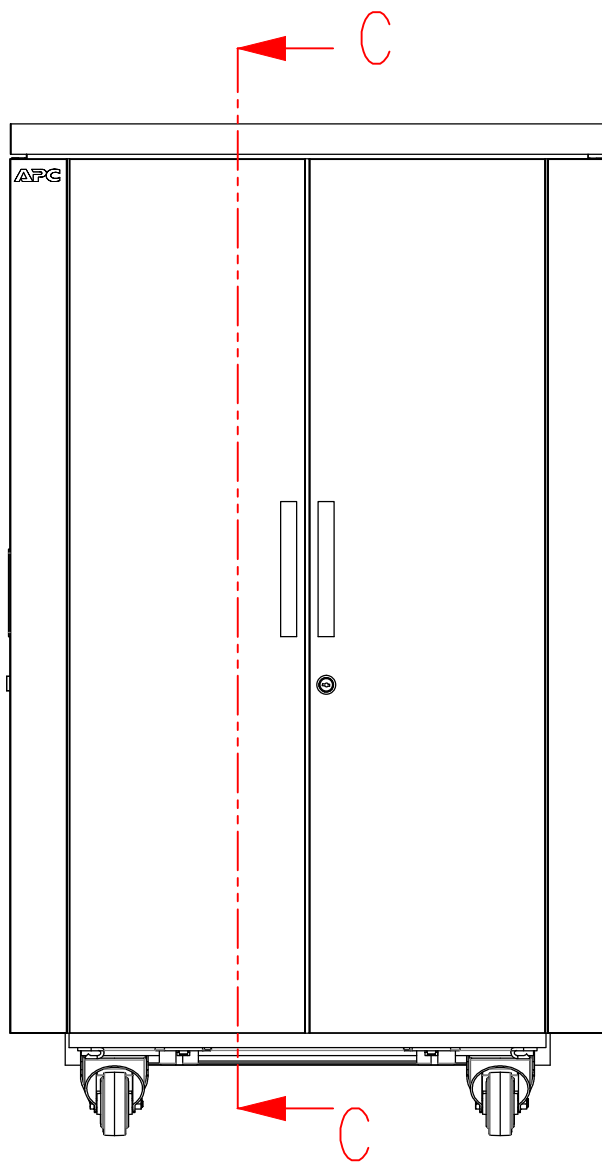
DRAWN BY: A.DAVE 30-JUN-14

ENGINEER: A.DAVE 30-JUN-14

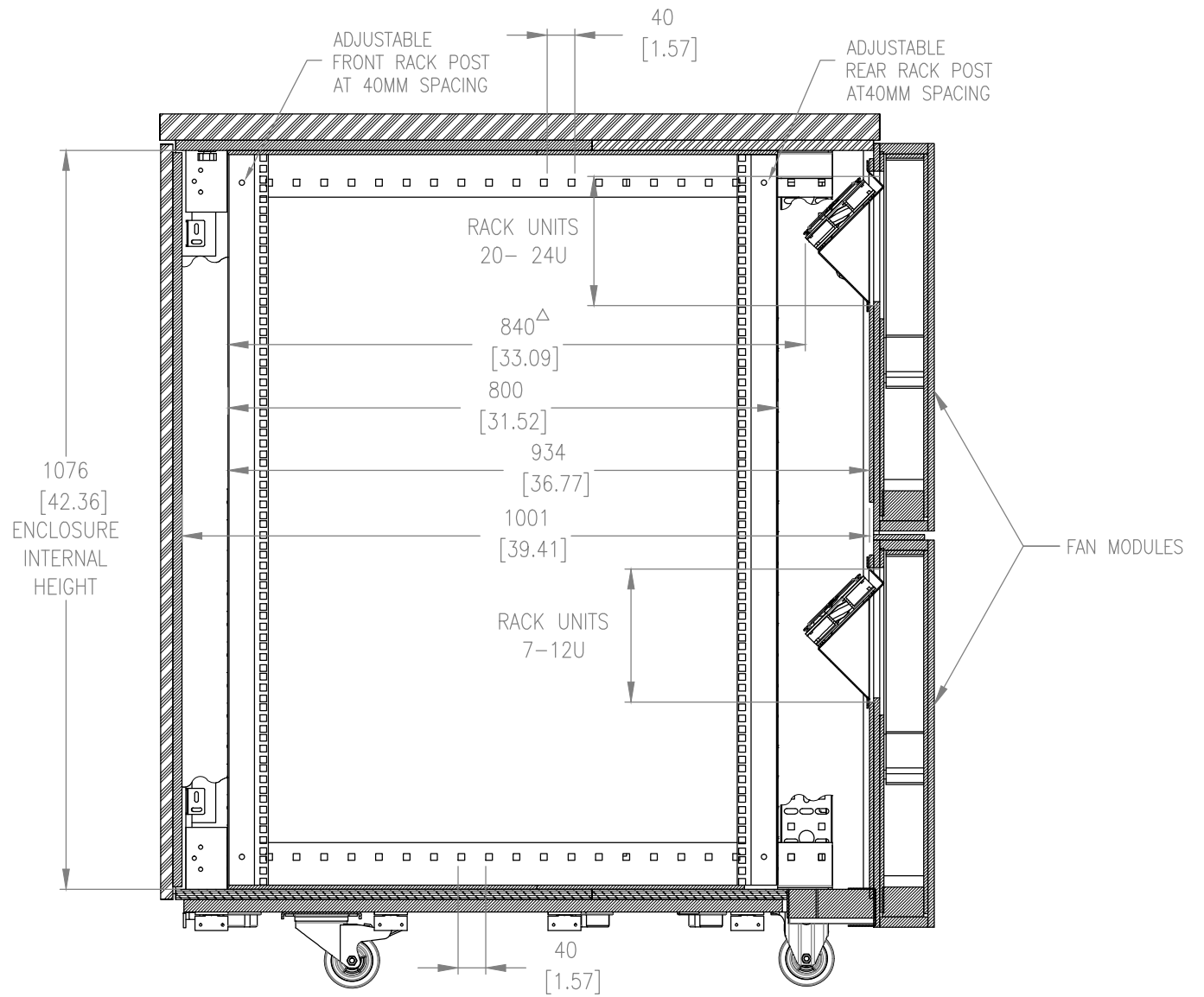
APPROVED BY: S.FITTON 30-JUN-14

REV. 1

THIRD ANGLE PROJECTION



FRONT VIEW



SECTION C-C

△ — DUE TO TRIANGULAR PROTRUSION OF FAN MODULES, INTERNAL CABINET DEPTH REDUCED TO 840mm BETWEEN SPECIFIED RACK UNITS.

NOTES:

1. COMPLY WITH ALL APPLICABLE NATIONAL, STATE AND LOCAL ELECTRICAL REGULATIONS.
2. REFER TO THE PRODUCT DOCUMENTATION FOR ADDITIONAL DETAILS PRIOR TO INSTALLATION AND SITE PREPARATION WORK.
3. ALL DIMENSIONS ARE IN MILLIMETERS [INCHES].

THIS DRAWING AND SPECIFICATIONS HEREIN ARE THE PROPERTY OF SCHNEIDER ELECTRIC AND SHALL NOT BE COPIED, REPRODUCED OR USED IN WHOLE OR IN PART, AS THE BASIS FOR THE MANUFACTURE OR SALE OF ITEMS WITHOUT WRITTEN PERMISSION FROM SCHNEIDER ELECTRIC. THIS DRAWING IS BASED UPON LATEST AVAILABLE INFORMATION AND IS SUBJECT TO CHANGE WITHOUT NOTICE.



TITLE: NetShelter CX Enclosure  
International 24U  
750mm WIDEx1130mm DEEP  
INTERNAL VIEWS

PROJECT: SUBMITTAL DRAWINGS SHEET 5 OF 5

DWG NO: AR40241A

DRAWN BY: A.DAVE 30-JUN-14

ENGINEER: A.DAVE 30-JUN-14

APPROVED BY: S.FITTON 30-JUN-14

REV. 1

THIRD

ANGLE

PROJECTION

| SHT | DRAWING NUMBER | REVISION |   |   |   |   |   |   |   |   | REVISION DESCRIPTION   | REVISION INITIATED BY (ECO/ENGR) | REVISION APPROVED BY |
|-----|----------------|----------|---|---|---|---|---|---|---|---|--|----------------------------------|----------------------|
|     |                | 1        | 2 | 3 | 4 | 5 | 6 | 7 | 8 | 9 |  |                                  |                      |
| 1   | AR4024IA       |          | X |   |   |   |   |   |   |   | PALLET DETAILS ADDED   | AD                               | SF                   |
| 2   | AR4024IA       |          | X |   |   |   |   |   |   |   | MAIN MECHANICAL WITH REAR VIEW ADDED. INTERNAL VIEW MOVED TO SH.5 AND INTERNAL BOTTOM VIEW MOVED TO SH.3 | AD                               | SF                   |
| 3   | AR4024IA       | X        |   |   |   |   |   |   |   |   | SHEET ADDED  | AD                               | SF                   |
| 4   | AR4024IA       | X        |   |   |   |   |   |   |   |   | SHEET ADDED  | AD                               | SF                   |
| 5   | AR4024IA       | X        |   |   |   |   |   |   |   |   | SHEET ADDED  | AD                               | SF                   |

NOTE:  
 △FOR PREVIOUS REVISIONS, CONTACT CAD TEAM.



|                                    |                                 |                 |
|------------------------------------|---------------------------------|-----------------|
| FILE: AR4024IA_-_NetShelter_CX_24U | INITIALLY DRAWN BY: A.DAVE      | FILE REV: 3     |
| INITIAL RELEASE: 30-JUN-14         | INITIALLY APPROVED BY: S.FITTON | DATE: 14-AUG-14 |