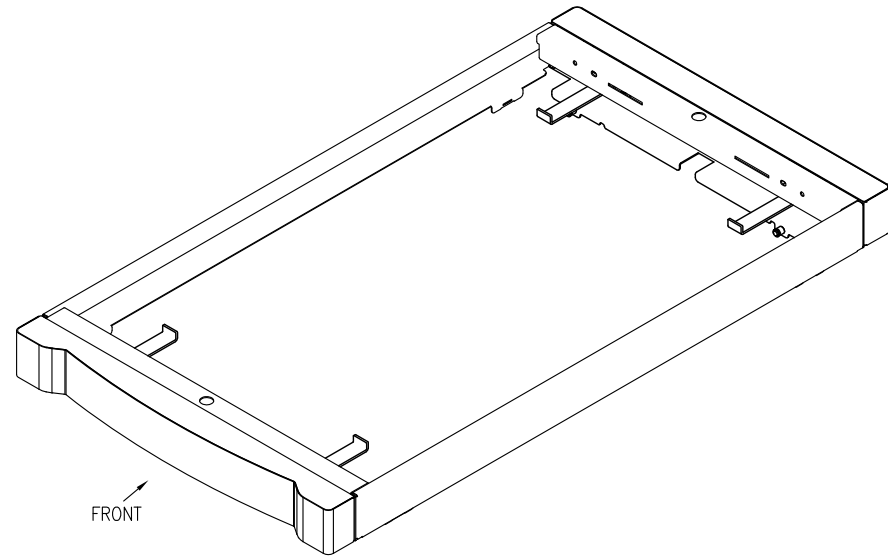
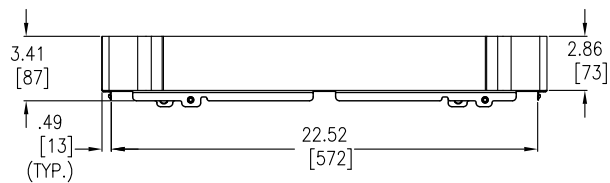


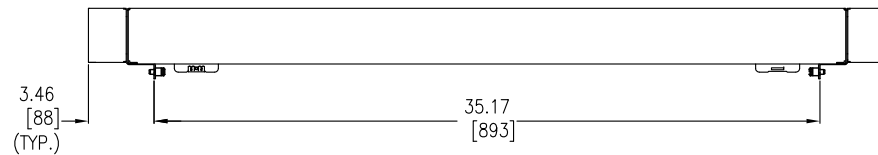
TOP VIEW



ISOMETRIC VIEW



FRONT VIEW



SIDE VIEW

NOTES:

1. INSTALLATION SHALL COMPLY WITH ALL APPLICABLE NATIONAL AND LOCAL CODES.
2. SEE PRODUCT DOCUMENTATION FOR FURTHER INFORMATION.
3. UNLESS OTHERWISE SPECIFIED, ALL DIMENSIONS ARE IN INCHES [MILLIMETERS].
4. WEIGHT OF UNIT IS 17.50 lbs [7.95 kg].

THIS DRAWING AND SPECIFICATIONS HEREIN ARE THE PROPERTY OF SCHNEIDER ELECTRIC AND SHALL NOT BE COPIED, REPRODUCED OR USED IN WHOLE OR IN PART, AS THE BASIS FOR THE MANUFACTURE OR SALE OF ITEMS WITHOUT WRITTEN PERMISSION FROM SCHNEIDER ELECTRIC. THIS DRAWING IS BASED UPON LATEST AVAILABLE INFORMATION AND IS SUBJECT TO CHANGE WITHOUT NOTICE.



TITLE: HOT AISLE CONTAINMENT SYSTEM
ROOF MATCH KIT FOR
SX TO YX, 600mm
MAIN MECHANICAL

PROJECT: STD SUBMITTAL DRAWING SHEET 1 OF 1

DWG NO: **AR7203**

DRAWN BY: S CUNHA 20FEB2015

ENGINEER: P FISCHER 20FEB2015

APPROVED BY: G IVEY/B MITCHELL 20FEB2015

REV 0

THIRD ANGLE PROJ