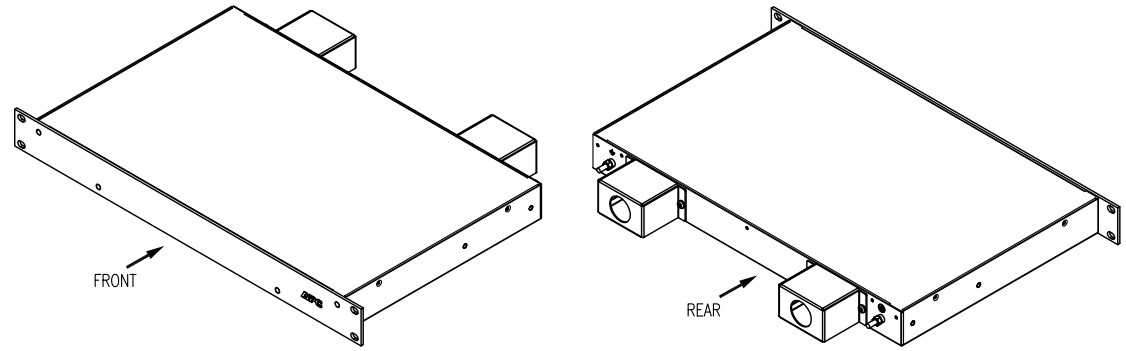
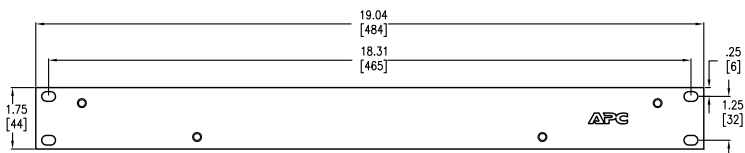


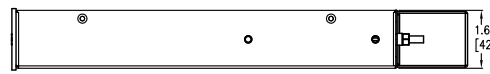
TOP VIEW



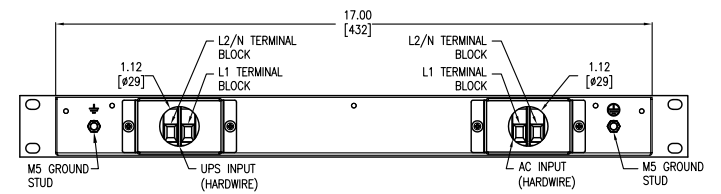
ISOMETRIC VIEWS



FRONT VIEW



SIDE VIEW



REAR VIEW

NOTES:

1. INSTALLATION MUST COMPLY WITH ALL APPLICABLE NATIONAL AND LOCAL CODES.
2. PLEASE REFER TO APC PRODUCT MANUAL FOR DETAILS.
3. ALL DIMENSIONS ARE IN INCHES [MILLIMETERS].
4. WEIGHT OF UNIT IS 14.80 LBS [6.73 KG].
5. CABLE ENTRY FROM REAR SIDE OF UNIT.

THIS DRAWING AND SPECIFICATIONS HEREIN ARE THE PROPERTY OF SCHNEIDER ELECTRIC AND SHALL NOT BE COPIED, REPRODUCED OR USED IN WHOLE OR IN PART, AS THE BASIS FOR THE MANUFACTURE OR SALE OF ITEMS WITHOUT WRITTEN PERMISSION FROM SCHNEIDER ELECTRIC. THIS DRAWING IS BASED UPON LATEST AVAILABLE INFORMATION AND IS SUBJECT TO CHANGE WITHOUT NOTICE.



TITLE: SMART-UPS ONLINE FILTER  
6000VA FILTER MARINE RACK-MOUNT  
INPUT: 100-240V; HARDWIRE  
OUTPUT: HARDWIRE  
MAIN MECHANICAL

DWG NO: SURTO24M REV. 0

DRAWN BY: S CUNHA 07-OCT-11 THIRD  
ENGINEER: B McKENNA 07-OCT-11 ANGLE

PROJECT: STD SUBMITTAL DRAWINGS SHEET 1 OF 1 APPROVED BY: B McKENNA 07-OCT-11 PROJ.