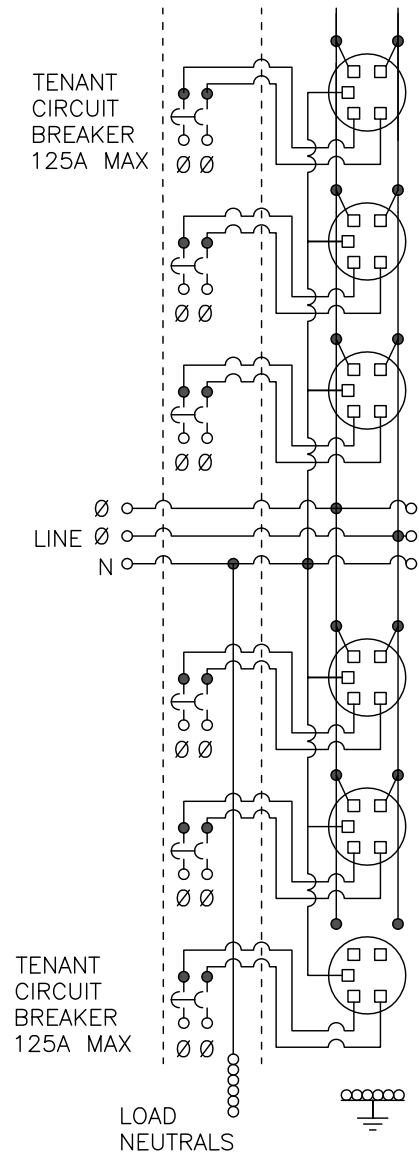
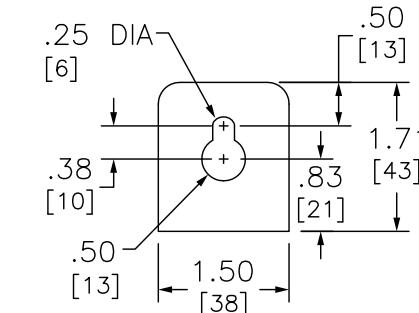


NOTES:
 FINISH - GRAY BAKED ENAMEL POWDER COAT PAINT OVER CLEANED GALVANNEALED STEEL.
 UL LISTED AS A MODULAR-PANELBOARD - FILE E131840, VOL. M
 SUITABLE FOR USE AS SERVICE EQUIPMENT.
 MAIN HORIZONTAL CROSS BUS RATED AT 800 AMPERES. (ALUMINUM 1/4 X 1 3/4 TWO LAMINATIONS)
 UNMETERED COMPARTMENTS ARE SEALABLE BY UTILITY.
 SEE MARKINGS ON TENANT CIRCUIT BREAKER FOR WIRE RANGES.
 GANGABLE MULTI-METERING EQUIPMENT IS DESIGNED FOR WALL MOUNTING ONLY
 (NOT SUITABLE FOR USE AS FLOOR STANDING EQUIPMENT).

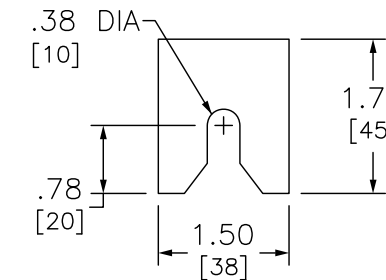


TENANT CIRCUIT BREAKERS (ORDER ONE PER SOCKET POSITION)			
TENANT CIRCUIT BREAKER (2-POLE)	AMPERE RATINGS MIN - MAX	SHORT CIRCUIT BREAKER RATING RMS SYMMETRICAL AMPERES MAX	VOLTS MAX
QO	40 - 125	10,000	240/120
QO-VH	40 - 60	22,000	
QOH	40 - 60	42,000	

SYMBOL	CONDUIT SIZE	
	IN	MM
A	.50	13
B	.75	19
C	1.00	25
D	1.25	32
E	1.50	38



TOP MOUNTING BRACKET



BOTTOM MOUNTING BRACKET

CATALOG NO. SUFFIX
 X= 1200 A MAIN BUS
 CUX= ALL COPPER BUS WITH 1200AMP MAIN BUS
 **EQUIPMENT GROUNDING SUITABLE TO BE RELOCATED AT THE TOP OF THE EQUIPMENT.

DUAL DIMENSIONS: INCHES MILLIMETERS

SYSTEM TYPE (IN)	SERVICE PROVIDED (OUT)	CATALOG NUMBER	METER SOCKET TYPE	NUMBER OF POSITIONS	TENANT CIRCUIT BREAKER (ORDER SEPARATELY)	LOAD NEUTRAL WIRE RANGE	EQUIPMENT GROUND WIRE RANGE
1Ø 3W 120/240VAC	1Ø 3W 120/240VAC	EZML116125 EZML116125X EZML116125CUX	5-JAW RINGLESS TYPE LEVER BYPASS	6	QO,QO-VH,OR QOH 125A MAX 2-POLE	(6) #14-2/0 AWG CU (6) #12-2/0 AWG AL	(6) #14-2/0 AWG CU (6) #12-2/0 AWG AL

EZ METER-PAK GANGABLE
 MULTI-METERING EQUIPMENT
 125 MAX 1PH 3W METER SOCKET/CIRCUIT BREAKER
 RINGLESS LEVER BYPASS 6-GANG BRANCH UNITS
 RAINPROOF NEMA TYPE 3R ENCLOSURES



DWG# PWFDS-SYRS-0219
 NO.