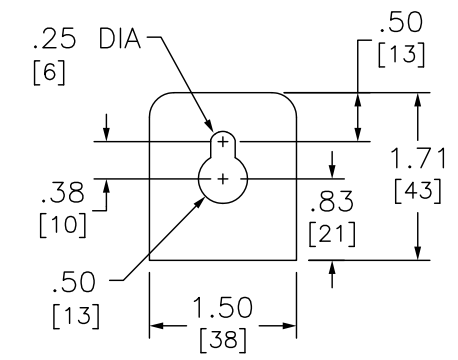
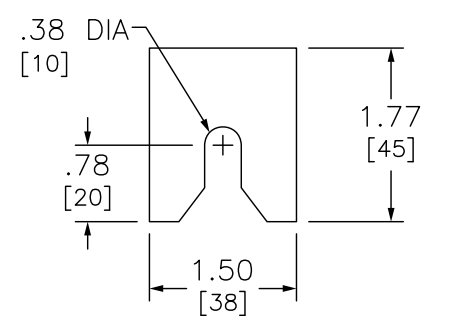


TENANT CIRCUIT BREAKERS (ORDER ONE PER SOCKET POSITION)			
TENANT CIRCUIT BREAKER (2-POLE)	AMPERE RATINGS MIN - MAX	SHORT CIRCUIT BREAKER RATING RMS SYMMETRICAL AMPERES MAX	VOLTS MAX
QO	40 - 125	10,000	240/120
QO-VH	40 - 60	22,000	
QOH	40 - 60	42,000	

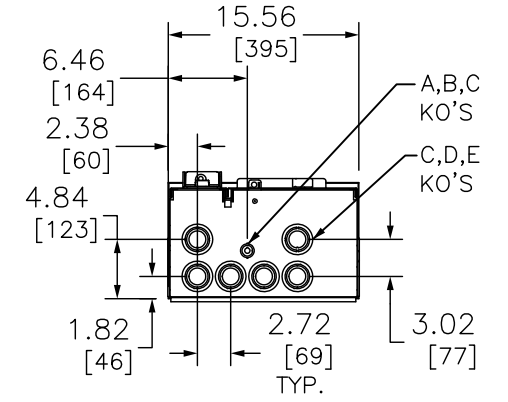
KNOCKOUTS		
SYMBOL	CONDUIT SIZE	
	IN	MM
A	.50	13
B	.75	19
C	1.00	25
D	1.25	32
E	1.50	38



TOP MOUNTING BRACKET



BOTTOM MOUNTING BRACKET



CATALOG NO. SUFFIX  
X = 1200 A MAIN BUS  
CUX = ALL COPPER BUS WITH 1200AMP MAIN BUS  
\*\*EQUIPMENT GROUNDING SUITABLE TO BE RELOCATED AT THE TOP OF THE EQUIPMENT.

DUAL DIMENSIONS: INCHES MILLIMETERS

SYSTEM TYPE (IN)	SERVICE PROVIDED (OUT)	CATALOG NUMBER	METER SOCKET TYPE	NUMBER OF POSITIONS	TENANT CIRCUIT BREAKER (ORDER SEPARATELY)	LOAD NEUTRAL WIRE RANGE	EQUIPMENT GROUND WIRE RANGE
1Ø 3W 120/240VAC	1Ø 3W 120/240VAC	EZML115125 EZML115125X EZML115125CUX	5-JAW RINGLESS TYPE LEVER BYPASS	5	QO,QO-VH,OR QOH 125A MAX 2-POLE	(5) #14-2/0 AWG CU (5) #12-2/0 AWG AL	(5) #14-2/0 AWG CU (5) #12-2/0 AWG AL

NOTES:  
FINISH - GRAY BAKED ENAMEL POWDER COAT PAINT OVER CLEANED GALVANNEALED STEEL.  
UL LISTED AS A MODULAR-PANELBOARD - FILE E131840, VOL. M  
SUITABLE FOR USE AS SERVICE EQUIPMENT.  
MAIN HORIZONTAL CROSS BUS RATED AT 800 AMPERES. (ALUMINUM 1/4 X 1 3/4 TWO LAMINATIONS)  
UNMETERED COMPARTMENTS ARE SEALABLE BY UTILITY.  
SEE MARKINGS ON TENANT CIRCUIT BREAKER FOR WIRE RANGES.  
GANGABLE MULTI-METERING EQUIPMENT IS DESIGNED FOR WALL MOUNTING ONLY (NOT SUITABLE FOR USE AS FLOOR STANDING EQUIPMENT).

EZ METER-PAK GANGABLE MULTI-METERING EQUIPMENT  
125 MAX 1PH 3W METER SOCKET/CIRCUIT BREAKER RINGLESS LEVER BYPASS 5-GANG BRANCH UNITS RAINPROOF NEMA TYPE 3R ENCLOSURES

**SQUARE D**  
by Schneider Electric

DWG# PWFDS-SYRS-0218  
NO.