

**NOTES:**

1. INSTALLATION SHALL COMPLY WITH ALL APPLICABLE NATIONAL, STATE AND LOCAL CODES.
2. REFER TO PRODUCT DOCUMENTATION FOR ADDITIONAL DETAILS PRIOR TO INSTALLATION AND SITE PREPARATION WORK.
3. ALL DIMENSIONS ARE IN INCHES [MILLIMETERS].
- △ 4. ONLY FRONT ACCESS REQUIRED FOR SERVICE. MINIMUM RECOMMENDED FRONT CLEARANCE IS 31.5[800].
5. CABLE ENTRY IS FROM TOP, BOTTOM, RIGHT OR LEFT SIDE OF THE UNIT.
6. WEIGHT OF THE UNIT REFER TO THE TABLE ON SHEET-5
7. OPERATING TEMPERATURE: 32°F TO 104°F [0°C TO 40°C]. RECOMMENDED TEMPERATURE AT 77°F[25°C].
8. DOOR OPENS 110°.
9. COLOR: GRAY RAL7035.
- △ 10. ALL CABINETS SHIPPED WITH SIDE PANELS.

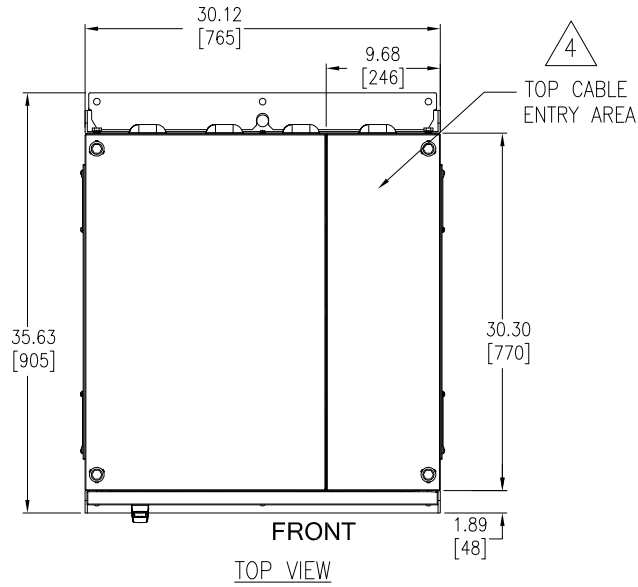
THIS DRAWING AND SPECIFICATIONS HEREIN ARE THE PROPERTY OF SCHNEIDER ELECTRIC AND SHALL NOT BE COPIED, REPRODUCED OR USED IN WHOLE OR IN PART, AS THE BASIS FOR THE MANUFACTURE OR SALE OF ITEMS WITHOUT WRITTEN PERMISSION FROM SCHNEIDER ELECTRIC. THIS DRAWING IS BASED UPON LATEST AVAILABLE INFORMATION AND IS SUBJECT TO CHANGE WITHOUT NOTICE.



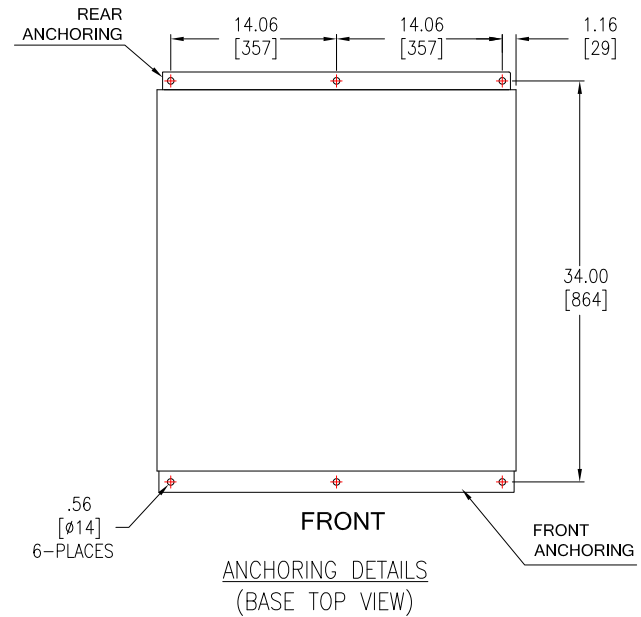
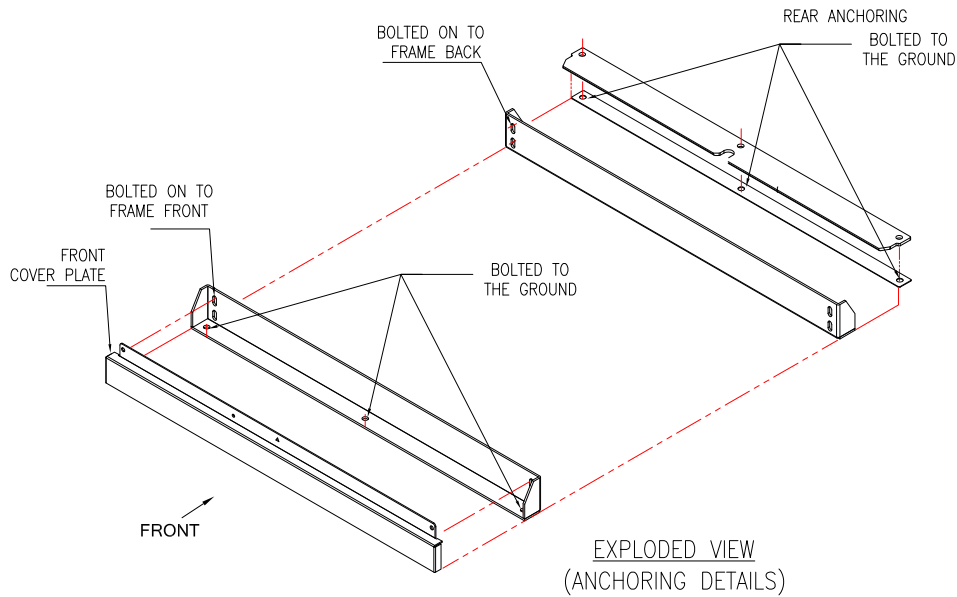
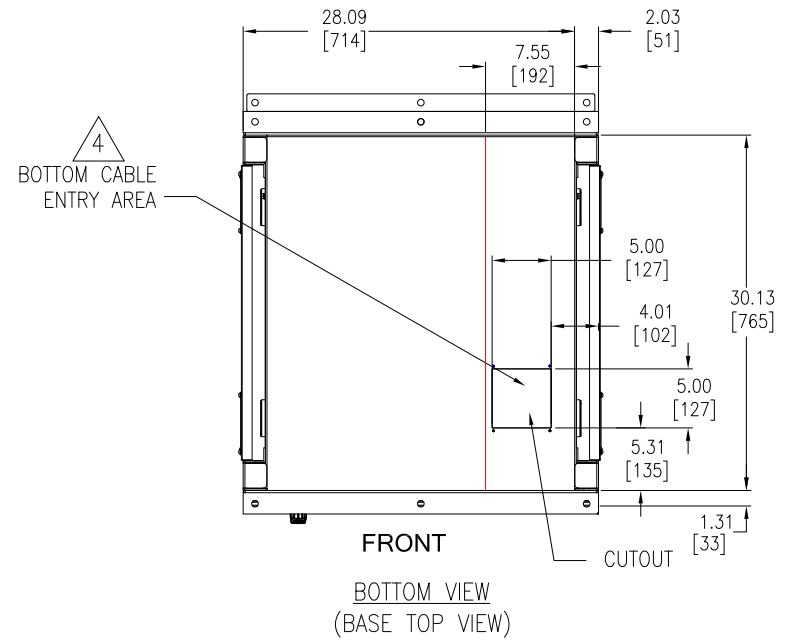
**TITLE:** GUTOR PXC  
BATTERY CABINET 100-210 W/C  
Input: 450Vdc, 3PH, 60Hz  
Output: 450Vdc, 3PH, 60Hz  
GENERAL ARRANGEMENT

<b>DWG NO:</b>	GUPXCB-2		<b>REV.</b>	0
<b>DRAWN BY:</b>	K.NAGENDRA	14-FEB-17	<b>THIRD</b>	
<b>ENGINEER:</b>	IRENE KENNEDY	14-FEB-17	<b>ANGLE</b>	
<b>APPROVED BY:</b>	W.WATKINS	14-FEB-17	<b>PROJECTION</b>	

TOP ENTRY CONDUIT LOCATION



BOTTOM ENTRY CONDUIT LOCATION



NOTES:

1. INSTALLATION SHALL COMPLY WITH ALL APPLICABLE NATIONAL, STATE AND LOCAL CODES.
2. REFER TO PRODUCT DOCUMENTATION FOR ADDITIONAL DETAILS PRIOR TO INSTALLATION AND SITE PREPARATION WORK.
3. ALL DIMENSIONS ARE IN INCHES [MILLIMETERS].

△4. DRILL/PUNCH HOLES IN PLATE AS PER REQUIREMENT.

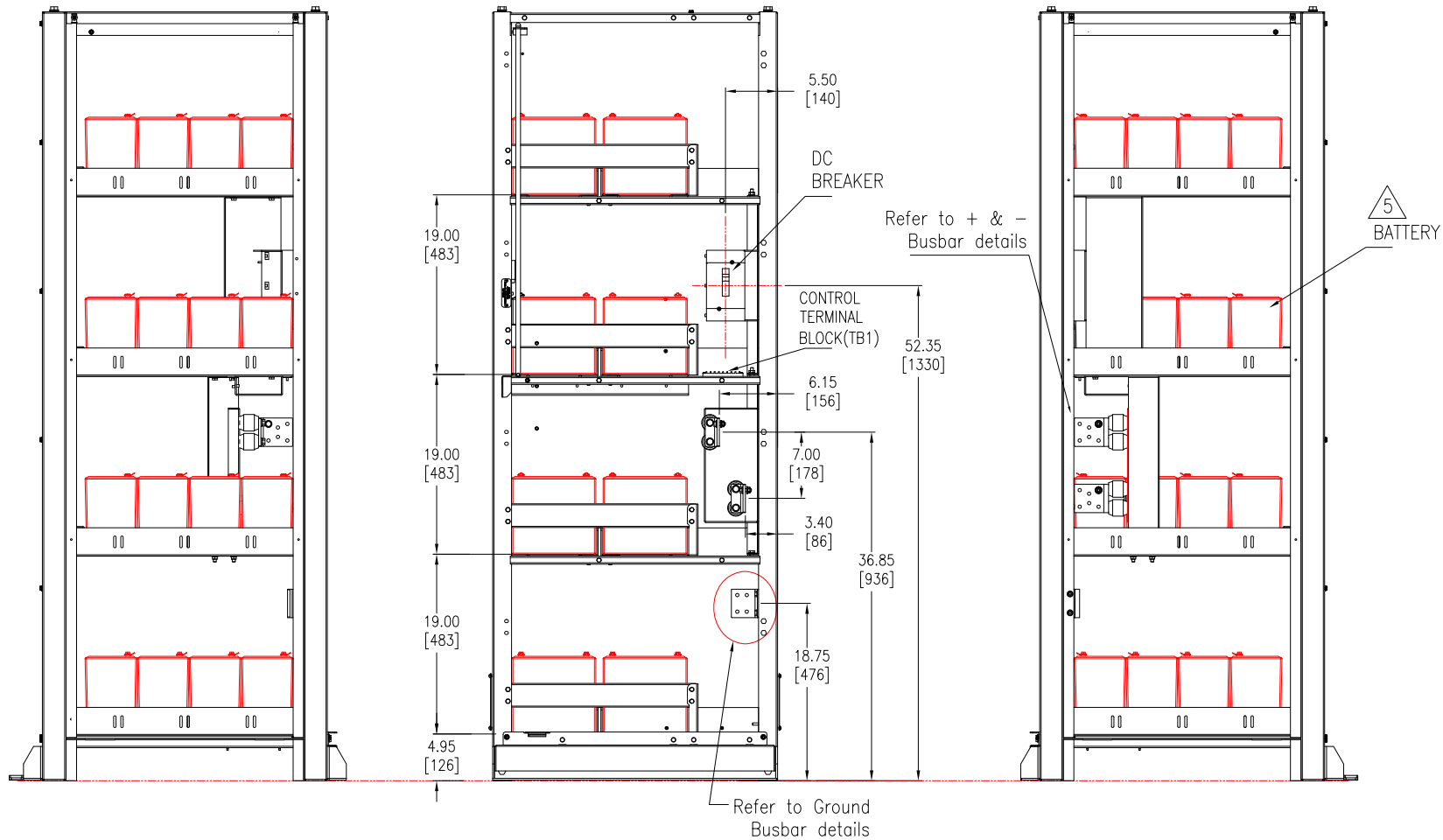
REMOVE PLATE FROM CABINET BEFORE DRILLING/PUNCHING.

THIS DRAWING AND SPECIFICATIONS HEREIN ARE THE PROPERTY OF SCHNEIDER ELECTRIC AND SHALL NOT BE COPIED, REPRODUCED OR USED IN WHOLE OR IN PART, AS THE BASIS FOR THE MANUFACTURE OR SALE OF ITEMS WITHOUT WRITTEN PERMISSION FROM SCHNEIDER ELECTRIC. THIS DRAWING IS BASED UPON LATEST AVAILABLE INFORMATION AND IS SUBJECT TO CHANGE WITHOUT NOTICE.



TITLE: GUTOR PXC  
BATTERY CABINET 100-210 W/C  
Input: 450Vdc, 3PH, 60Hz  
Output: 450Vdc, 3PH, 60Hz  
TOP & BOTTOM VIEW, ANCHORING DETAILS  
PROJECT: DRAWINGS SHEET 2 OF 7

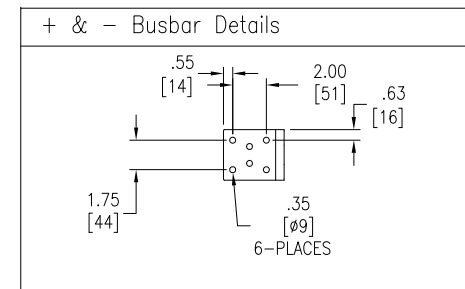
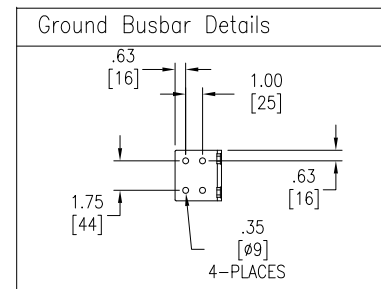
DWG NO:	GUPXCB-2	REV:	0
DRAWN BY:	K.NAGENDRA	14-FEB-17	THIRD
ENGINEER:	IRENE KENNEDY	14-FEB-17	ANGLE
APPROVED BY:	W.WATKINS	14-FEB-17	PROJECTION



INTERNAL LH SIDE VIEW

INTERNAL FRONT VIEW  
(DOOR AND PANELS REMOVED FOR CLARITY)

INTERNAL RH SIDE VIEW



NOTES:

1. INSTALLATION SHALL COMPLY WITH ALL APPLICABLE NATIONAL, STATE AND LOCAL CODES.
2. REFER TO PRODUCT DOCUMENTATION FOR ADDITIONAL DETAILS PRIOR TO INSTALLATION AND SITE PREPARATION WORK.
3. ALL DIMENSIONS ARE IN INCHES [MILLIMETERS].
4. FOR BATTERY INTERFACE DETAILS REFER TO UPS INSTALLATION MANUAL.

△5. BATTERY ARRANGEMENT SHOWN ABOVE IS TYPICAL.

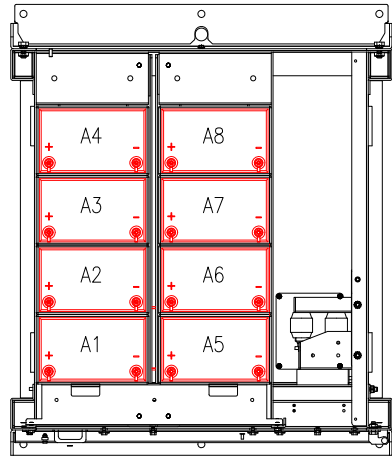
THIS DRAWING AND SPECIFICATIONS HEREIN ARE THE PROPERTY OF SCHNEIDER ELECTRIC AND SHALL NOT BE COPIED, REPRODUCED OR USED IN WHOLE OR IN PART, AS THE BASIS FOR THE MANUFACTURE OR SALE OF ITEMS WITHOUT WRITTEN PERMISSION FROM SCHNEIDER ELECTRIC. THIS DRAWING IS BASED UPON LATEST AVAILABLE INFORMATION AND IS SUBJECT TO CHANGE WITHOUT NOTICE.



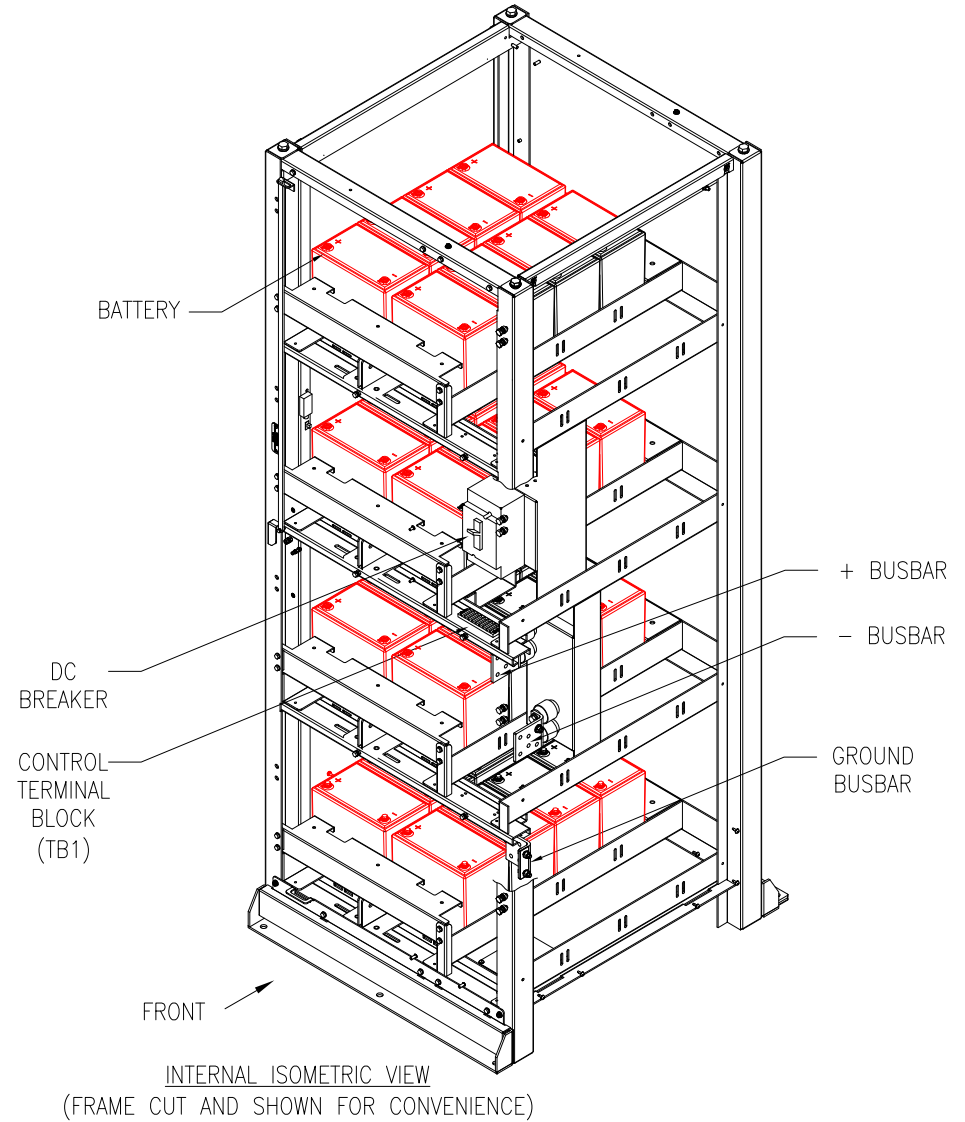
TITLE: GUTOR PXC  
BATTERY CABINET 100-210 W/C  
Input: 450Vdc, 3PH, 60Hz  
Output: 450Vdc, 3PH, 60Hz  
INTERNAL VIEW

PROJECT: DRAWINGS SHEET 3 OF 7

DWG NO:	GUPXCB-2	REV.	0
DRAWN BY:	K.NAGENDRA	14-FEB-17	THIRD
ENGINEER:	IRENE KENNEDY	14-FEB-17	ANGLE
APPROVED BY:	W.WATKINS	14-FEB-17	PROJECTION



FRONT  
SECTIONAL VIEW A-A  
TOP VIEW  
(BATTERY SHOWN FOR REFERENCE)



INTERNAL ISOMETRIC VIEW  
(FRAME CUT AND SHOWN FOR CONVENIENCE)

**NOTES:**

1. INSTALLATION SHALL COMPLY WITH ALL APPLICABLE NATIONAL, STATE AND LOCAL CODES.
2. REFER TO PRODUCT DOCUMENTATION FOR ADDITIONAL DETAILS PRIOR TO INSTALLATION AND SITE PREPARATION WORK.
3. ALL DIMENSIONS ARE IN INCHES [MILLIMETERS].
4. FOR CONNECTION DETAILS REFER TO UPS INSTALLATION MANUAL.

THIS DRAWING AND SPECIFICATIONS HEREIN ARE THE PROPERTY OF SCHNEIDER ELECTRIC AND SHALL NOT BE COPIED, REPRODUCED OR USED IN WHOLE OR IN PART, AS THE BASIS FOR THE MANUFACTURE OR SALE OF ITEMS WITHOUT WRITTEN PERMISSION FROM SCHNEIDER ELECTRIC. THIS DRAWING IS BASED UPON LATEST AVAILABLE INFORMATION AND IS SUBJECT TO CHANGE WITHOUT NOTICE.



TITLE:		GUPXCB-2		REV. 0
PROJECT: DRAWINGS		DWG NO:		
SHEET 4 OF 7		DRAWN BY:	K.NAGENDRA	14-FEB-17
		ENGINEER:	IRENE KENNEDY	14-FEB-17
		APPROVED BY:	W.WATKINS	14-FEB-17
				THIRD ANGLE PROJECTION

CUTOR PXC  
BATTERY CABINET 100-210 W/C  
Input: 450Vdc, 3PH, 60Hz  
Output: 450Vdc, 3PH, 60Hz  
INTERNAL DETAILS

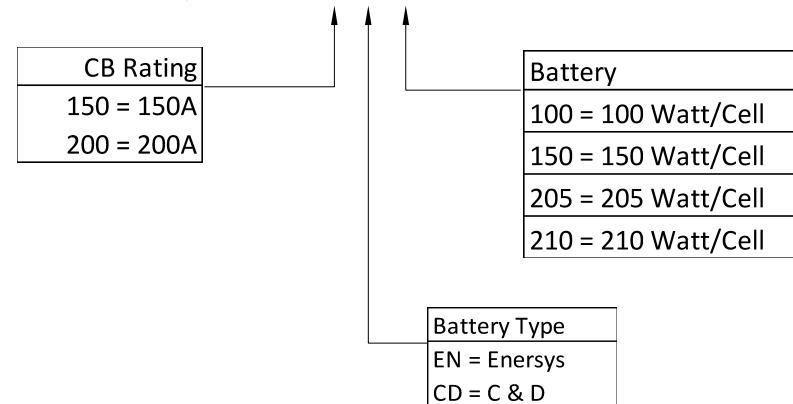
BATTERY CABINET SKU NUMBER	NUMBER OF CABINET(S)	Runtime(min) at Full load (calculated)		
		25 kVA	37.5 kVA	50 kVA
GUPXCB150EN100	1	7	-	-
GUPXCB150EN150	1	16	9	-
	2	42	-	-
GUPXCB150EN205	1	25	15	-
	2	-	36	-
GUPXCB200EN205	1	-	-	9
GUPXCB150CD100	1	7	-	-
GUPXCB150CD150	1	16	9	-
	2	42	-	-
GUPXCB150CD210	1	25	15	-
	2	-	36	-
GUPXCB200CD210	1	-	-	9

BATTERY CABINET SKU NUMBER	Cabinet Weight lbs (kg)	Center of Gravity inch(mm)		
		x-distance	y-distance	z-distance
GUPXCB150EN100	1325 (602)	14 (356)	37 (940)	13 (330)
GUPXCB150EN150	1650 (750)	14 (356)	37 (940)	15 (381)
GUPXCB150EN205	2000 (909)	13 (330)	38 (965)	14 (356)
GUPXCB200EN205	2000 (909)	13 (330)	38 (965)	14 (356)
GUPXCB150CD100	1300 (591)	14 (356)	37 (940)	13 (330)
GUPXCB150CD150	1500 (682)	14 (356)	37 (940)	13 (330)
GUPXCB150CD210	1900 (864)	13 (330)	38 (965)	14 (356)
GUPXCB200CD210	1900 (864)	13 (330)	38 (965)	14 (356)

TORQUE SPECIFICATIONS	
M6	5.0Nm (3.60lb-ft)
M8	17.5Nm (12.91lb-ft)
M10	30.0Nm (22.0lb-ft)
M12	50.0Nm (36.87lb-ft)

### PART NUMBER EXPLANATION

Example: GUPXCB150EN100



#### NOTES:

1. INSTALLATION SHALL COMPLY WITH ALL APPLICABLE NATIONAL, STATE AND LOCAL CODES.
2. REFER TO PRODUCT DOCUMENTATION FOR ADDITIONAL DETAILS PRIOR TO INSTALLATION AND SITE PREPARATION WORK.
3. REFER TO BATTERY INSTALLATION MANUAL FOR CABLING DETAILS.

THIS DRAWING AND SPECIFICATIONS HEREIN ARE THE PROPERTY OF SCHNEIDER ELECTRIC AND SHALL NOT BE COPIED, REPRODUCED OR USED IN WHOLE OR IN PART, AS THE BASIS FOR THE MANUFACTURE OR SALE OF ITEMS WITHOUT WRITTEN PERMISSION FROM SCHNEIDER ELECTRIC. THIS DRAWING IS BASED UPON LATEST AVAILABLE INFORMATION AND IS SUBJECT TO CHANGE WITHOUT NOTICE.

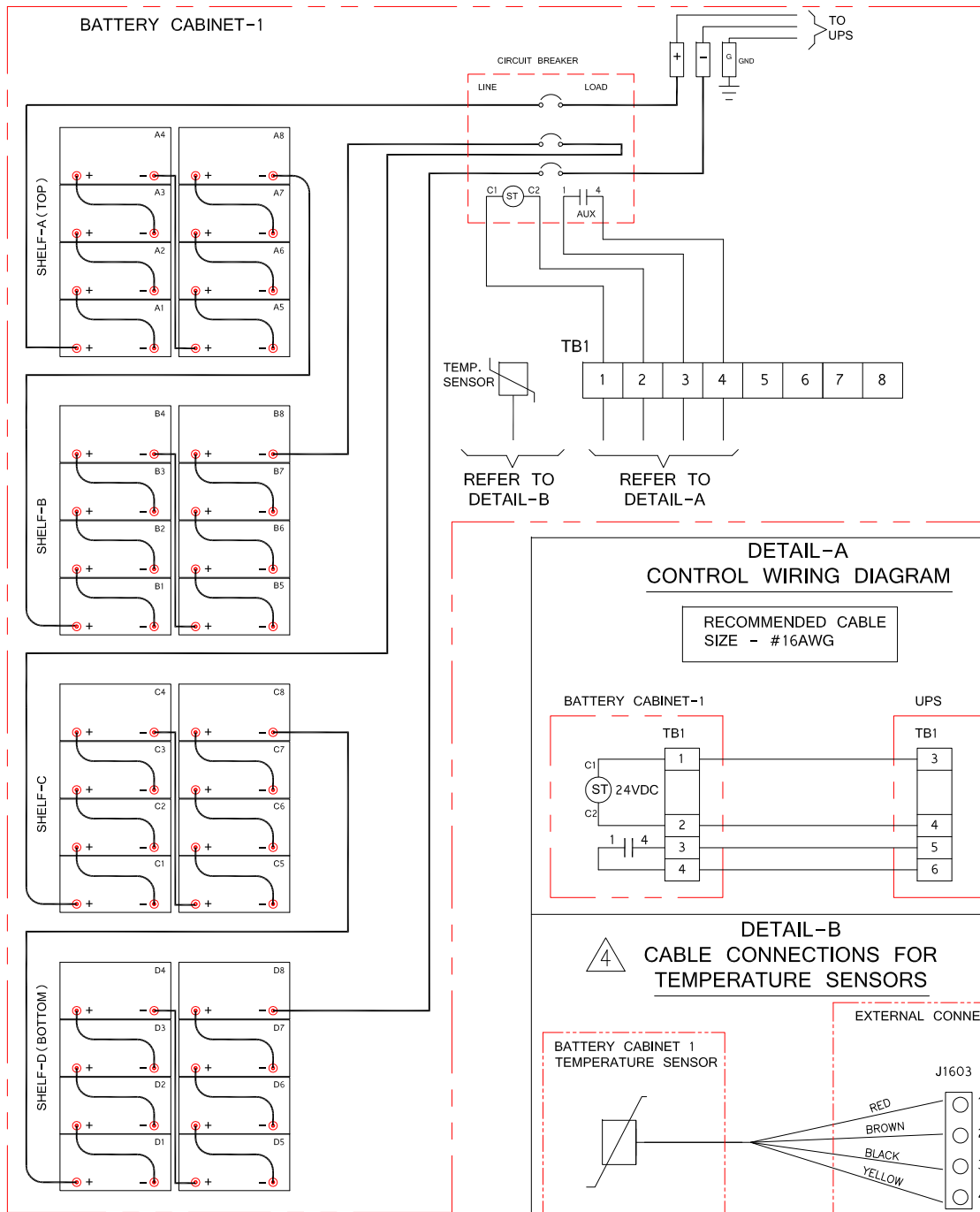


TITLE: GUTOR PXC  
BATTERY CABINET 100-210 W/C  
Input: 450Vdc, 3PH, 60Hz  
Output: 450Vdc, 3PH, 60Hz  
RUNTIME DATA & SPECIFICATION

PROJECT: DRAWINGS SHEET 5 OF 7

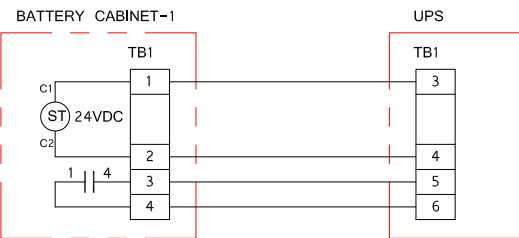
DWG NO:	GUPXCB-2		REV:	0
DRAWN BY:	K.NAGENDRA	14-FEB-17	THIRD	
ENGINEER:	IRENE KENNEDY	14-FEB-17	ANGLE	
APPROVED BY:	W.WATKINS	14-FEB-17	PROJECTION	

# TYPICAL CABLING DIAGRAM (ONE CABINET)

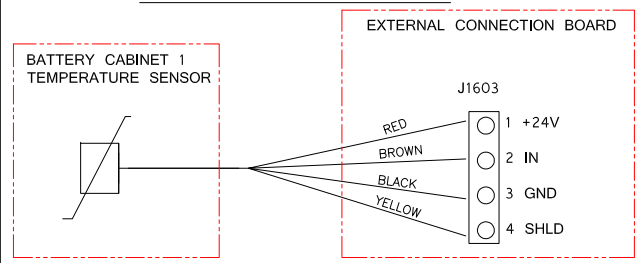


## DETAIL-A CONTROL WIRING DIAGRAM

RECOMMENDED CABLE SIZE - #16AWG



## DETAIL-B CABLE CONNECTIONS FOR TEMPERATURE SENSORS



### NOTES:

1. INSTALLATION SHALL COMPLY WITH ALL APPLICABLE NATIONAL, STATE AND LOCAL CODES.
2. REFER TO PRODUCT DOCUMENTATION FOR ADDITIONAL DETAILS PRIOR TO INSTALLATION AND SITE PREPARATION WORK.
3. REFER TO BATTERY INSTALLATION MANUAL FOR CABLING DETAILS.
- △4. FOR REMOTE CABINET, CONNECT THE TEMPERATURE SENSOR TO BATTERY CABINET TB1, PINS 5,6,7 & 8. WIRING NOT PROVIDED TO UPS.

THIS DRAWING AND SPECIFICATIONS HEREIN ARE THE PROPERTY OF SCHNEIDER ELECTRIC AND SHALL NOT BE COPIED, REPRODUCED OR USED IN WHOLE OR IN PART, AS THE BASIS FOR THE MANUFACTURE OR SALE OF ITEMS WITHOUT WRITTEN PERMISSION FROM SCHNEIDER ELECTRIC. THIS DRAWING IS BASED UPON LATEST AVAILABLE INFORMATION AND IS SUBJECT TO CHANGE WITHOUT NOTICE.



TITLE: GUTOR PXC  
BATTERY CABINET 100-210 W/C  
Input: 450Vdc, 3PH, 60Hz  
Output: 450Vac, 3PH, 60Hz  
CABLING DETAILS-1

PROJECT: DRAWINGS SHEET 6 OF 7

DWG NO: GUPXCB-2 REV. 0

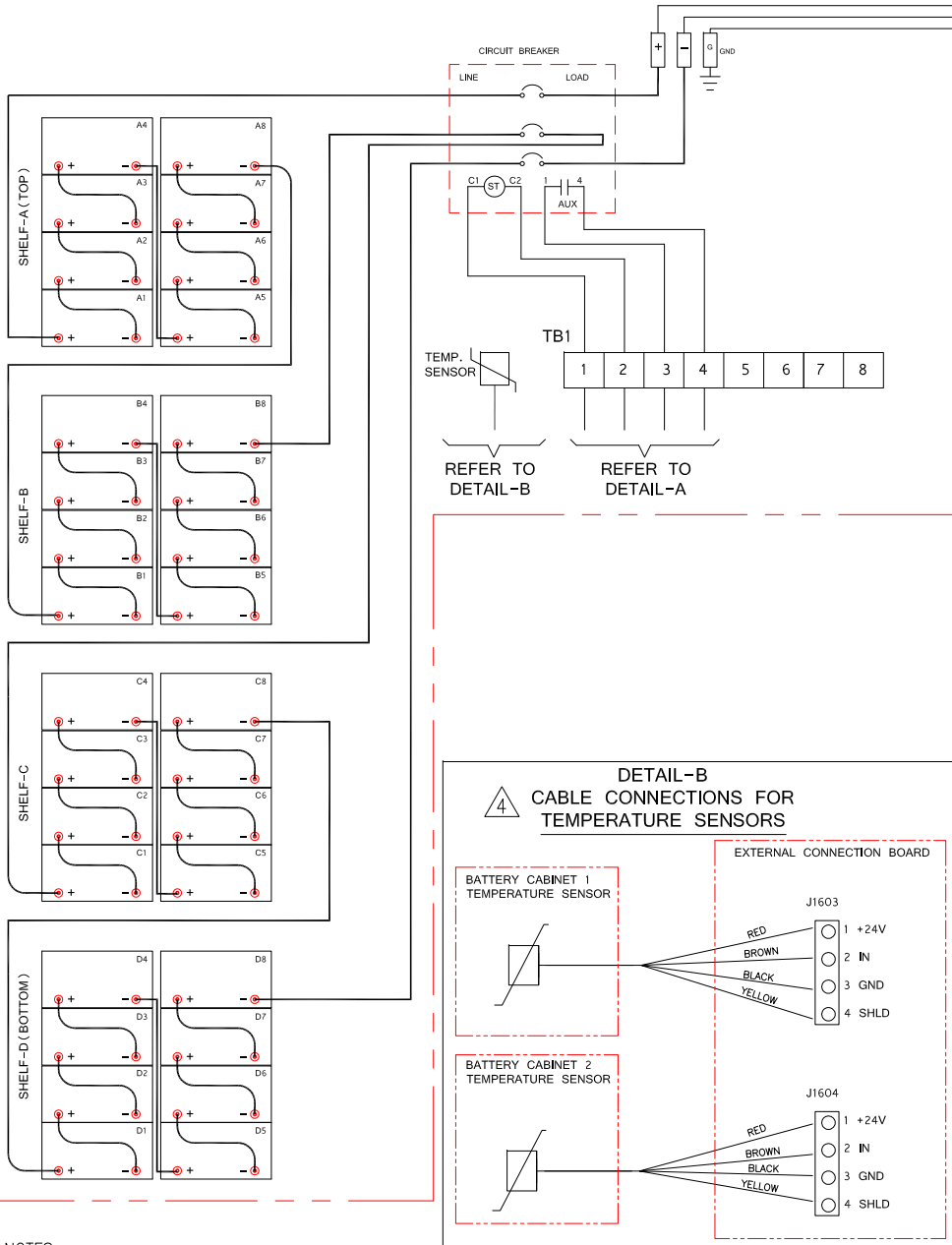
DRAWN BY: K.NAGENDRA 14-FEB-17 THIRD

ENGINEER: IRENE KENNEDY 14-FEB-17 ANGLE

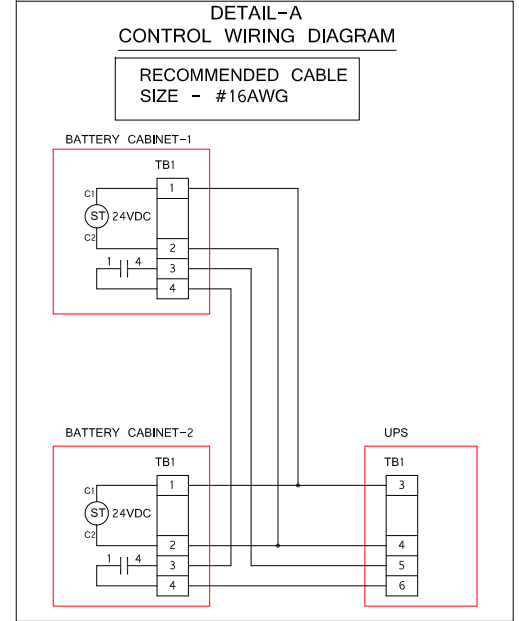
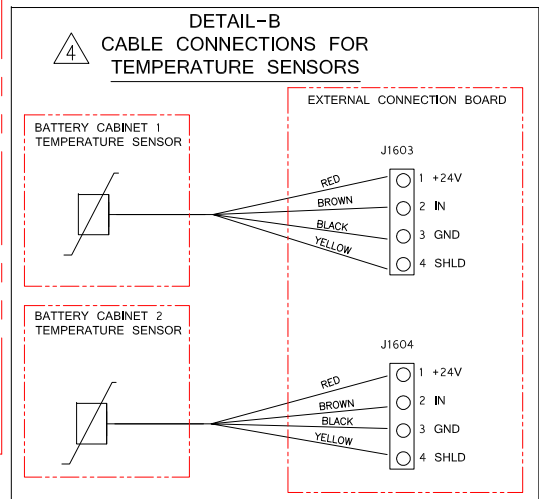
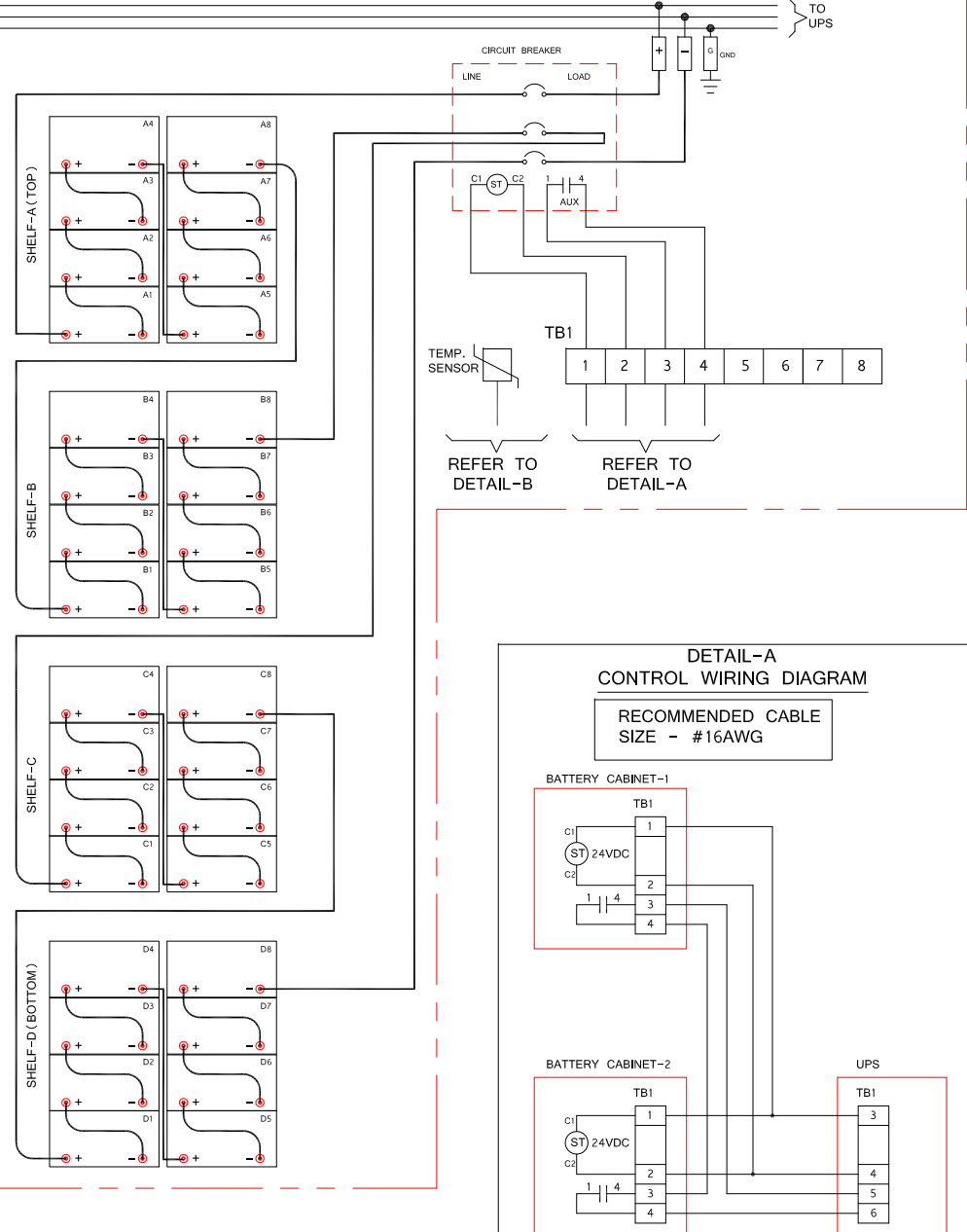
APPROVED BY: W.WATKINS 14-FEB-17 PROJECTION

# TYPICAL CABLING DIAGRAM (TWO CABINETS)

## BATTERY CABINET-1



## BATTERY CABINET-2



- NOTES:**
1. INSTALLATION SHALL COMPLY WITH ALL APPLICABLE NATIONAL, STATE AND LOCAL CODES.
  2. REFER TO PRODUCT DOCUMENTATION FOR ADDITIONAL DETAILS PRIOR TO INSTALLATION AND SITE PREPARATION WORK.
  3. REFER TO BATTERY INSTALLATION MANUAL FOR CABLING DETAILS.
  4. FOR REMOTE CABINET, CONNECT THE TEMPERATURE SENSOR TO BATTERY CABINET TB1, PINS 5,6,7 & 8. WIRING NOT PROVIDED TO UPS.

THIS DRAWING AND SPECIFICATIONS HEREIN ARE THE PROPERTY OF SCHNEIDER ELECTRIC AND SHALL NOT BE COPIED, REPRODUCED OR USED IN WHOLE OR IN PART, AS THE BASIS FOR THE MANUFACTURE OR SALE OF ITEMS WITHOUT WRITTEN PERMISSION FROM SCHNEIDER ELECTRIC. THIS DRAWING IS BASED UPON LATEST AVAILABLE INFORMATION AND IS SUBJECT TO CHANGE WITHOUT NOTICE.



**TITLE:** GUTOR PXC  
BATTERY CABINET 100-210 W/C  
Input: 450Vdc, 3PH, 60Hz  
Output: 450Vdc, 3PH, 60Hz  
CABLING DETAILS-2

**PROJECT:** DRAWINGS | **SHEET 7 OF 7**

**DWG NO:** GUPXCB-2 | **REV:** 0

<b>DRAWN BY:</b> K.NAGENDRA	14-FEB-17	THIRD ANGLE PROJECTION
<b>ENGINEER:</b> IRENE KENNEDY	14-FEB-17	
<b>APPROVED BY:</b> W.WATKINS	14-FEB-17	