

NOTES:

1. INSTALLATION SHALL COMPLY WITH ALL APPLICABLE NATIONAL, STATE AND LOCAL CODES.
2. REFER TO PRODUCT DOCUMENTATION FOR ADDITIONAL DETAILS PRIOR TO INSTALLATION AND SITE PREPARATION WORK.
3. ALL DIMENSIONS ARE IN INCHES [MILLIMETERS].
- △ 4. ONLY FRONT ACCESS REQUIRED FOR SERVICE. MINIMUM RECOMMENDED FRONT CLEARANCE IS 40.20 [1020].
5. CABLE ENTRY IS FROM TOP, BOTTOM, RIGHT OR LEFT SIDE OF THE UNIT.
6. WEIGHT OF THE UNIT REFER TO THE TABLE ON SHEET-5
7. OPERATING TEMPERATURE: 32°F TO 104°F [0°C TO 40°C]. RECOMMENDED TEMPERATURE AT 77°F [25°C].
8. LEFT AND RIGHT DOOR OPENS 110°.
9. COLOR: GRAY RAL7035.
- △ 10. ALL CABINET'S SHIPPED WITH SIDE PANELS.

THIS DRAWING AND SPECIFICATIONS HEREIN ARE THE PROPERTY OF SCHNEIDER ELECTRIC AND SHALL NOT BE COPIED, REPRODUCED OR USED IN WHOLE OR IN PART, AS THE BASIS FOR THE MANUFACTURE OR SALE OF ITEMS WITHOUT WRITTEN PERMISSION FROM SCHNEIDER ELECTRIC. THIS DRAWING IS BASED UPON LATEST AVAILABLE INFORMATION AND IS SUBJECT TO CHANGE WITHOUT NOTICE.

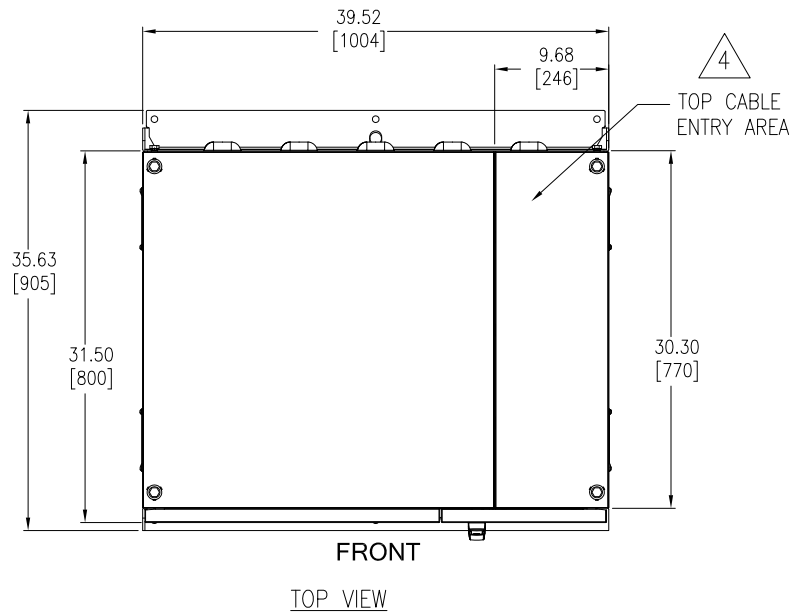


TITLE: GUTOR PXC BATTERY CABINET 300-540 W/C
 Input: 450Vdc, 3PH, 60Hz
 Output: 450Vdc, 3PH, 60Hz
 GENERAL ARRANGEMENT

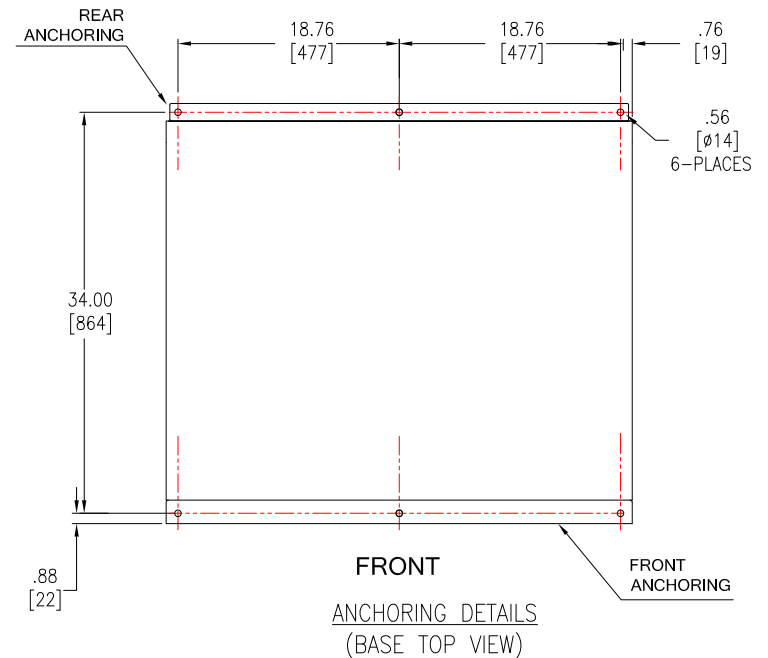
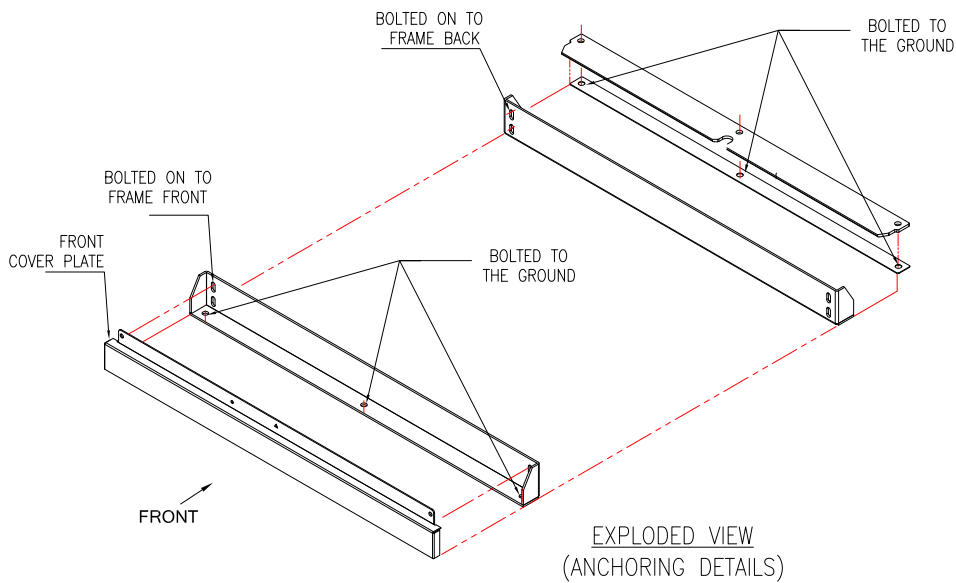
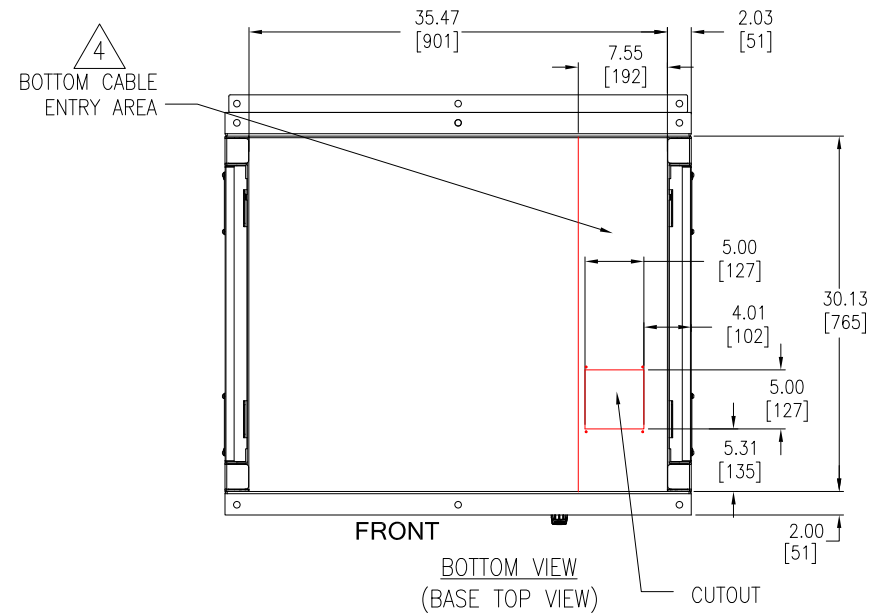
PROJECT: DRAWINGS **SHEET** 1 OF 7

DWG NO:	GUPXCB-1		REV.	0
DRAWN BY:	K.NAGENDRA	20-JAN-17	THIRD	
ENGINEER:	IRENE KENNEDY	20-JAN-17	ANGLE	
APPROVED BY:	W.WATKINS	20-JAN-17	PROJECTION	

TOP ENTRY CONDUIT LOCATION



BOTTOM ENTRY CONDUIT LOCATION



NOTES:

1. INSTALLATION SHALL COMPLY WITH ALL APPLICABLE NATIONAL, STATE AND LOCAL CODES.
2. REFER TO PRODUCT DOCUMENTATION FOR ADDITIONAL DETAILS PRIOR TO INSTALLATION AND SITE PREPARATION WORK.
3. ALL DIMENSIONS ARE IN INCHES [MILLIMETERS].

△4. DRILL/PUNCH HOLES IN PLATE AS PER REQUIREMENT.
REMOVE PLATE FROM CABINET BEFORE DRILLING/PUNCHING.

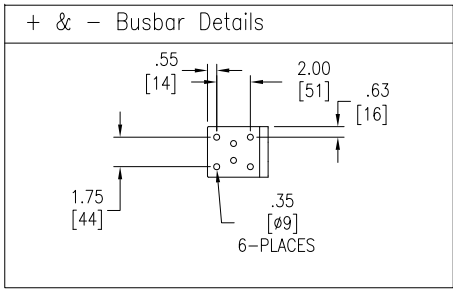
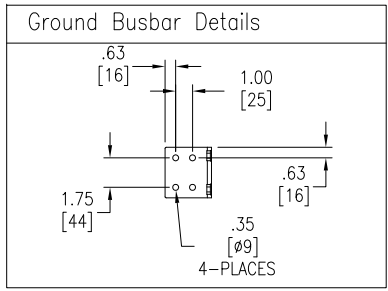
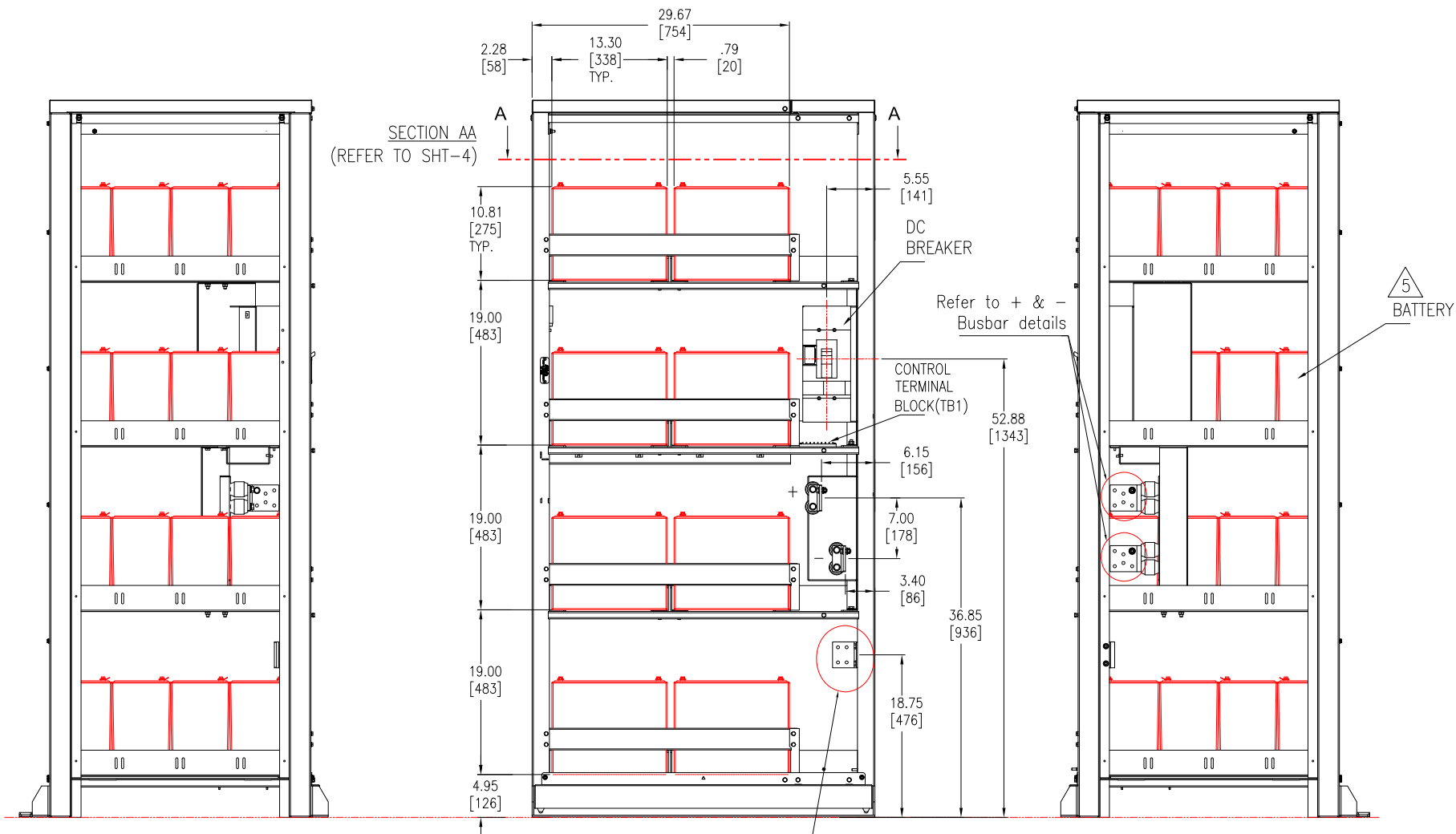
THIS DRAWING AND SPECIFICATIONS HEREIN ARE THE PROPERTY OF SCHNEIDER ELECTRIC AND SHALL NOT BE COPIED, REPRODUCED OR USED IN WHOLE OR IN PART, AS THE BASIS FOR THE MANUFACTURE OR SALE OF ITEMS WITHOUT WRITTEN PERMISSION FROM SCHNEIDER ELECTRIC. THIS DRAWING IS BASED UPON LATEST AVAILABLE INFORMATION AND IS SUBJECT TO CHANGE WITHOUT NOTICE.



TITLE: GUTOR PXC
BATTERY CABINET 300-540 W/C
Input: 450Vdc, 3PH, 60Hz
Output: 450Vdc, 3PH, 60Hz
TOP & BOTTOM VIEW, ANCHORING DETAILS

DWG NO:	GUPXCB-1		REV.	0
DRAWN BY:	K.NAGENDRA	20-JAN-17	THIRD	
ENGINEER:	IRENE KENNEDY	20-JAN-17	ANGLE	
APPROVED BY:	W.WATKINS	20-JAN-17	PROJECTION	

PROJECT: DRAWINGS SHEET 2 OF 7



NOTES:

1. INSTALLATION SHALL COMPLY WITH ALL APPLICABLE NATIONAL, STATE AND LOCAL CODES.
2. REFER TO PRODUCT DOCUMENTATION FOR ADDITIONAL DETAILS PRIOR TO INSTALLATION AND SITE PREPARATION WORK.
3. ALL DIMENSIONS ARE IN INCHES [MILLIMETERS].
4. FOR BATTERY INTERFACE DETAILS REFER TO UPS INSTALLATION MANUAL.

△ 5. BATTERY ARRANGEMENT SHOWN ABOVE IS TYPICAL.

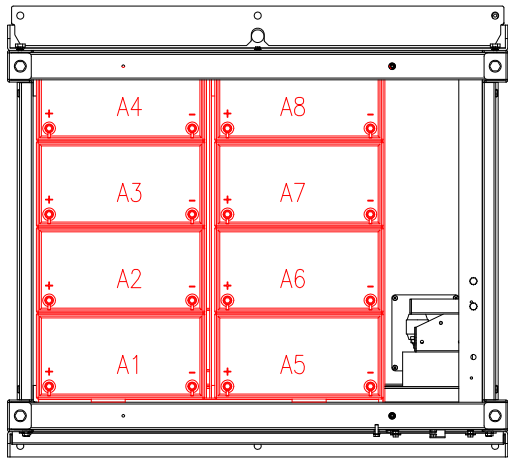
THIS DRAWING AND SPECIFICATIONS HEREIN ARE THE PROPERTY OF SCHNEIDER ELECTRIC AND SHALL NOT BE COPIED, REPRODUCED OR USED IN WHOLE OR IN PART, AS THE BASIS FOR THE MANUFACTURE OR SALE OF ITEMS WITHOUT WRITTEN PERMISSION FROM SCHNEIDER ELECTRIC. THIS DRAWING IS BASED UPON LATEST AVAILABLE INFORMATION AND IS SUBJECT TO CHANGE WITHOUT NOTICE.



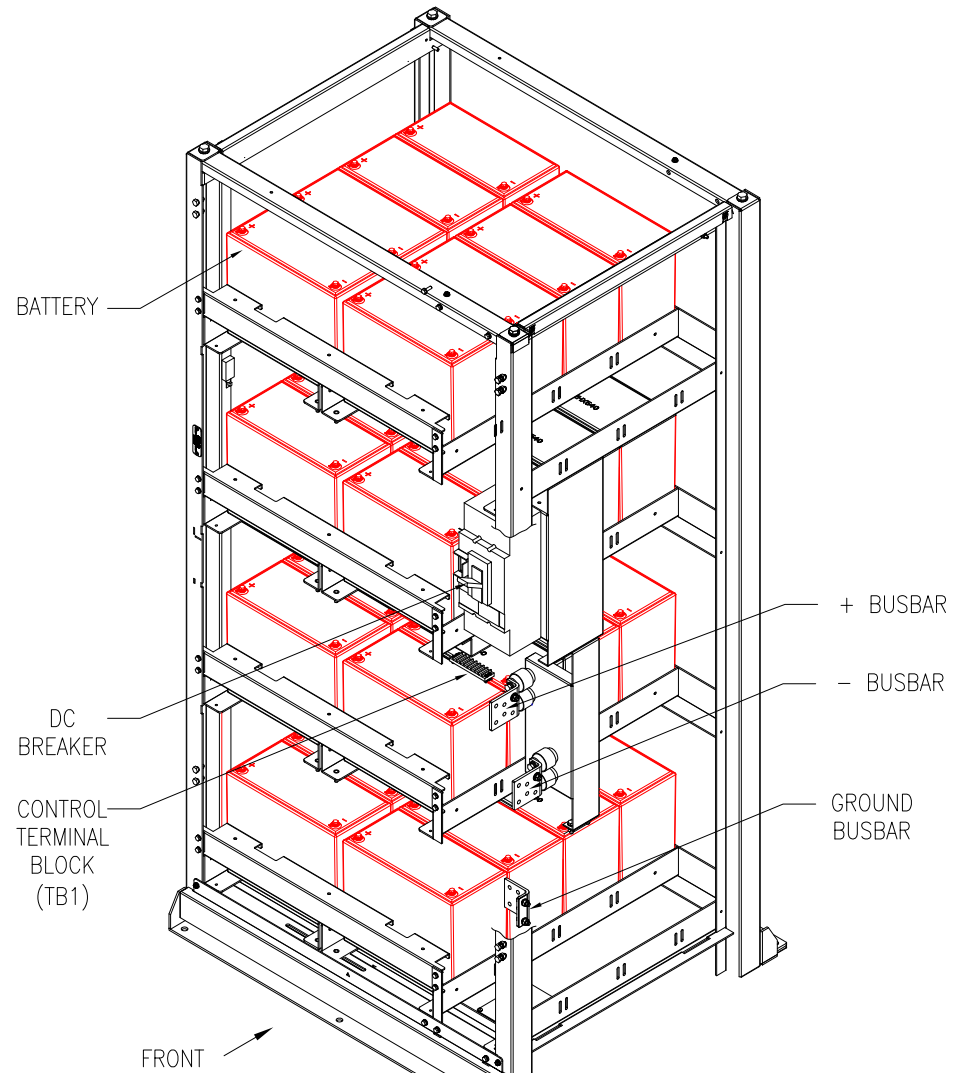
TITLE: GUTOR PXC
BATTERY CABINET 300-540 W/C
Input: 450Vdc, 3PH, 60Hz
Output: 450Vdc, 3PH, 60Hz
INTERNAL VIEW

PROJECT: DRAWINGS SHEET 3 OF 7

DWG NO:	GUPXCB-1		REV. 0
DRAWN BY:	K.NAGENDRA	20-JAN-17	THIRD
ENGINEER:	IRENE KENNEDY	20-JAN-17	ANGLE
APPROVED BY:	W.WATKINS	20-JAN-17	PROJECTION



FRONT
SECTIONAL VIEW A-A
TOP VIEW
(BATTERY SHOWN FOR REFERENCE)



FRONT
INTERNAL ISOMETRIC VIEW
(FRAME CUT AND SHOWN FOR CONVENIENCE)

NOTES:

1. INSTALLATION SHALL COMPLY WITH ALL APPLICABLE NATIONAL, STATE AND LOCAL CODES.
2. REFER TO PRODUCT DOCUMENTATION FOR ADDITIONAL DETAILS PRIOR TO INSTALLATION AND SITE PREPARATION WORK.
3. ALL DIMENSIONS ARE IN INCHES [MILLIMETERS].
4. FOR CONNECTION DETAILS REFER TO UPS INSTALLATION MANUAL.

THIS DRAWING AND SPECIFICATIONS HEREIN ARE THE PROPERTY OF SCHNEIDER ELECTRIC AND SHALL NOT BE COPIED, REPRODUCED OR USED IN WHOLE OR IN PART, AS THE BASIS FOR THE MANUFACTURE OR SALE OF ITEMS WITHOUT WRITTEN PERMISSION FROM SCHNEIDER ELECTRIC. THIS DRAWING IS BASED UPON LATEST AVAILABLE INFORMATION AND IS SUBJECT TO CHANGE WITHOUT NOTICE.



TITLE: GUPXCB-1
BATTERY CABINET 300-540 W/C
Input: 450Vdc, 3PH, 60Hz
Output: 450Vdc, 3PH, 60Hz
INTERNAL DETAILS
PROJECT: DRAWINGS SHEET 4 OF 7

DWG NO:	GUPXCB-1	REV:	0
DRAWN BY:	K.NAGENDRA	20-JAN-17	THIRD
ENGINEER:	IRENE KENNEDY	20-JAN-17	ANGLE
APPROVED BY:	W.WATKINS	20-JAN-17	PROJECTION

BATTERY CABINET SKU NUMBERS	NUMBER OF CABINET(S)	Runtime (min) at full load (calculated)			
		37.5kVA	50kVA	75kVA	100kVA
GUPXCB150EN300	1	23			
GUPXCB200EN300	1		16		
GUPXCB200CD540	1		37		
GUPXCB300EN300	1			8	
GUPXCB300EN540	1			22	
	2			53	
GUPXCB400EN300	1				5
GUPXCB400EN540	1				14
	2				37
GUPXCB150CD300	1	23			
GUPXCB200CD300	1		16		
GUPXCB200CD540			37		
GUPXCB300CD300	1			8	
GUPXCB300CD540	1			22	
	2			53	
GUPXCB400CD300	1				5
GUPXCB400CD540	1				14
	2				37

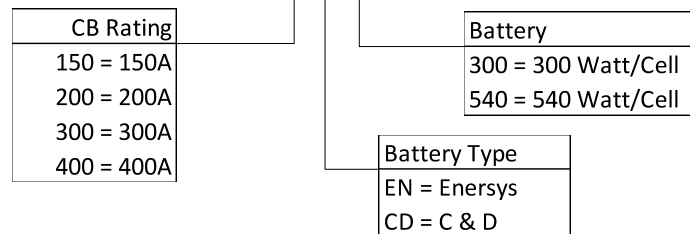
BATTERY CABINET SKU NUMBERS	Cabinet Weight lbs (kg)	Center of Gravity inch(mm)		
		X-Distance	Y-Distance	Z-Distance
GUPXCB150EN300	2600(1182)	17(432)	38(965)	15(381)
GUPXCB200EN300				
GUPXCB200CD540	4075(1852)	17(432)	39(991)	15(381)
GUPXCB300EN300	2600(1182)	17(432)	38(965)	15(381)
GUPXCB300EN540	4075(1852)	17(432)	39(991)	15(381)
GUPXCB400EN300	2600(1182)	17(432)	38(965)	15(381)
GUPXCB400EN540	4100(1864)	17(432)	39(991)	15(381)
GUPXCB150CD300	2550(1159)	17(432)	38(965)	15(381)
GUPXCB200CD300				
GUPXCB200CD540	3900(1773)	17(432)	39(991)	15(381)
GUPXCB300CD300	2550(1159)	17(432)	38(965)	15(381)
GUPXCB300CD540	3900(1773)	17(432)	39(991)	15(381)
GUPXCB400CD300	2550(1159)	17(432)	38(965)	15(381)
GUPXCB400CD540	3875(1761)	17(432)	39(991)	15(381)

TORQUE SPECIFICATIONS

M6	5.0Nm (3.60lb-ft)
M8	17.5Nm (12.91lb-ft)
M10	30.0Nm (22.0lb-ft)
M12	50.0Nm (36.87lb-ft)

PART NUMBER EXPLANATION

Example: GUPXCB150EN300



NOTES:

1. INSTALLATION SHALL COMPLY WITH ALL APPLICABLE NATIONAL, STATE AND LOCAL CODES.
2. REFER TO PRODUCT DOCUMENTATION FOR ADDITIONAL DETAILS PRIOR TO INSTALLATION AND SITE PREPARATION WORK.
3. REFER TO BATTERY INSTALLATION MANUAL FOR CABLING DETAILS.

THIS DRAWING AND SPECIFICATIONS HEREIN ARE THE PROPERTY OF SCHNEIDER ELECTRIC AND SHALL NOT BE COPIED, REPRODUCED OR USED IN WHOLE OR IN PART, AS THE BASIS FOR THE MANUFACTURE OR SALE OF ITEMS WITHOUT WRITTEN PERMISSION FROM SCHNEIDER ELECTRIC. THIS DRAWING IS BASED UPON LATEST AVAILABLE INFORMATION AND IS SUBJECT TO CHANGE WITHOUT NOTICE.

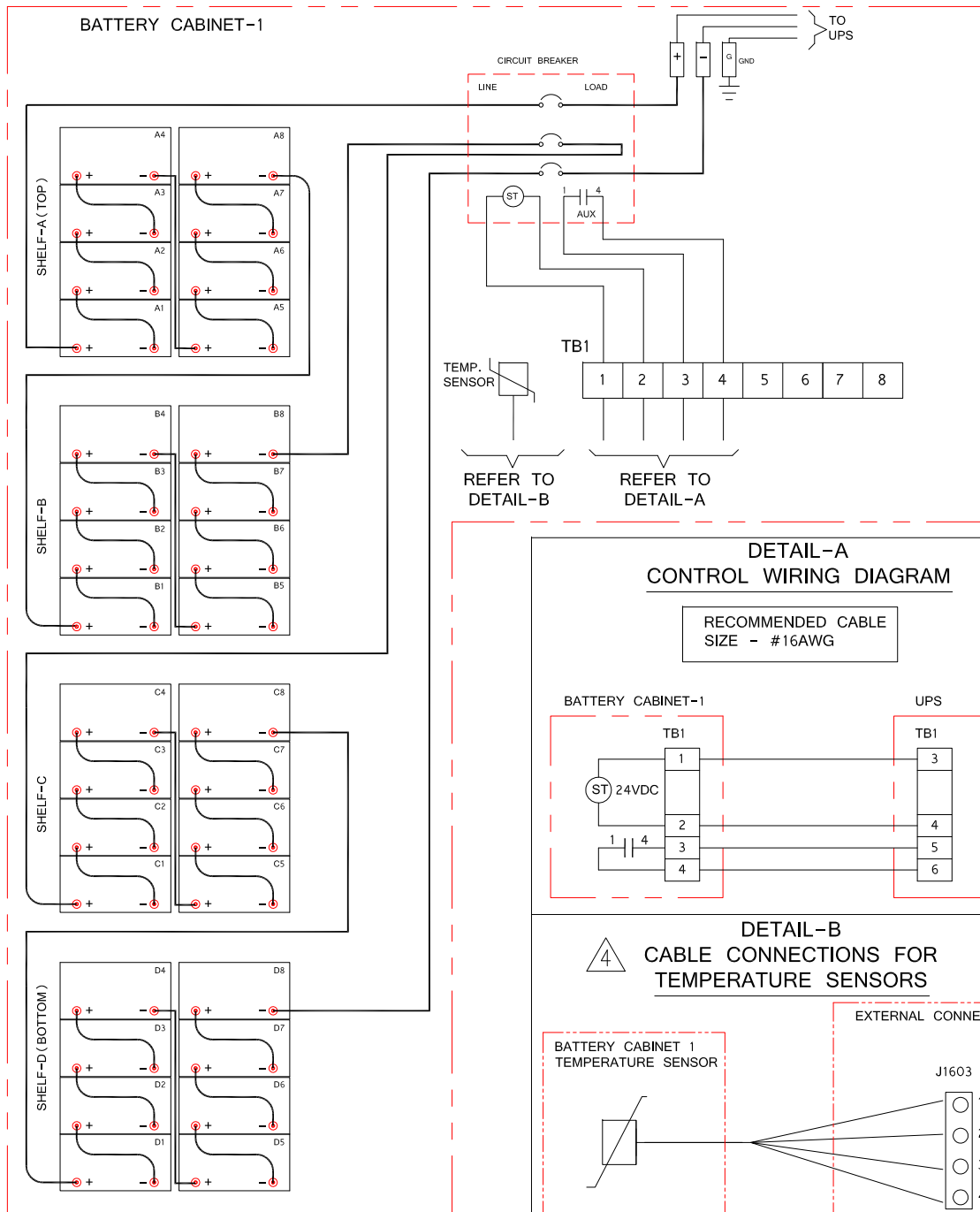


TITLE: GUTOR PXC
BATTERY CABINET 300-540 W/C
Input: 450Vdc, 3PH, 60Hz
Output: 450Vdc, 3PH, 60Hz
RUNTIME DATA & SPECIFICATION

PROJECT: DRAWINGS SHEET 5 OF 7

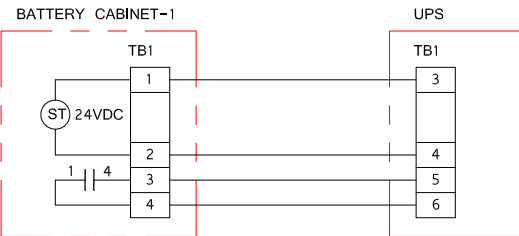
DWG NO:	GUPXCB-1		REV.
DRAWN BY:	K.NAGENDRA	20-JAN-17	THIRD
ENGINEER:	IRENE KENNEDY	20-JAN-17	ANGLE
APPROVED BY:	W.WATKINS	20-JAN-17	PROJECTION

TYPICAL CABLING DIAGRAM (ONE CABINET)

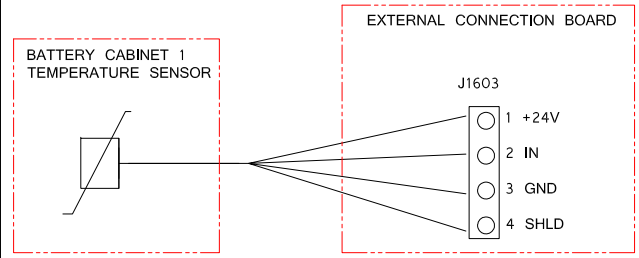


DETAIL-A CONTROL WIRING DIAGRAM

RECOMMENDED CABLE
SIZE - #16AWG



DETAIL-B CABLE CONNECTIONS FOR TEMPERATURE SENSORS



- NOTES:
1. INSTALLATION SHALL COMPLY WITH ALL APPLICABLE NATIONAL, STATE AND LOCAL CODES.
 2. REFER TO PRODUCT DOCUMENTATION FOR ADDITIONAL DETAILS PRIOR TO INSTALLATION AND SITE PREPARATION WORK.
 3. REFER TO BATTERY INSTALLATION MANUAL FOR CABLING DETAILS.
 4. FOR REMOTE CABINET, CONNECT THE TEMPERATURE SENSOR TO BATTERY CABINET TB1, PINS 5,6,7 & 8. WIRING NOT PROVIDED TO UPS.

THIS DRAWING AND SPECIFICATIONS HEREIN ARE THE PROPERTY OF SCHNEIDER ELECTRIC AND SHALL NOT BE COPIED, REPRODUCED OR USED IN WHOLE OR IN PART, AS THE BASIS FOR THE MANUFACTURE OR SALE OF ITEMS WITHOUT WRITTEN PERMISSION FROM SCHNEIDER ELECTRIC. THIS DRAWING IS BASED UPON LATEST AVAILABLE INFORMATION AND IS SUBJECT TO CHANGE WITHOUT NOTICE.

Schneider Electric

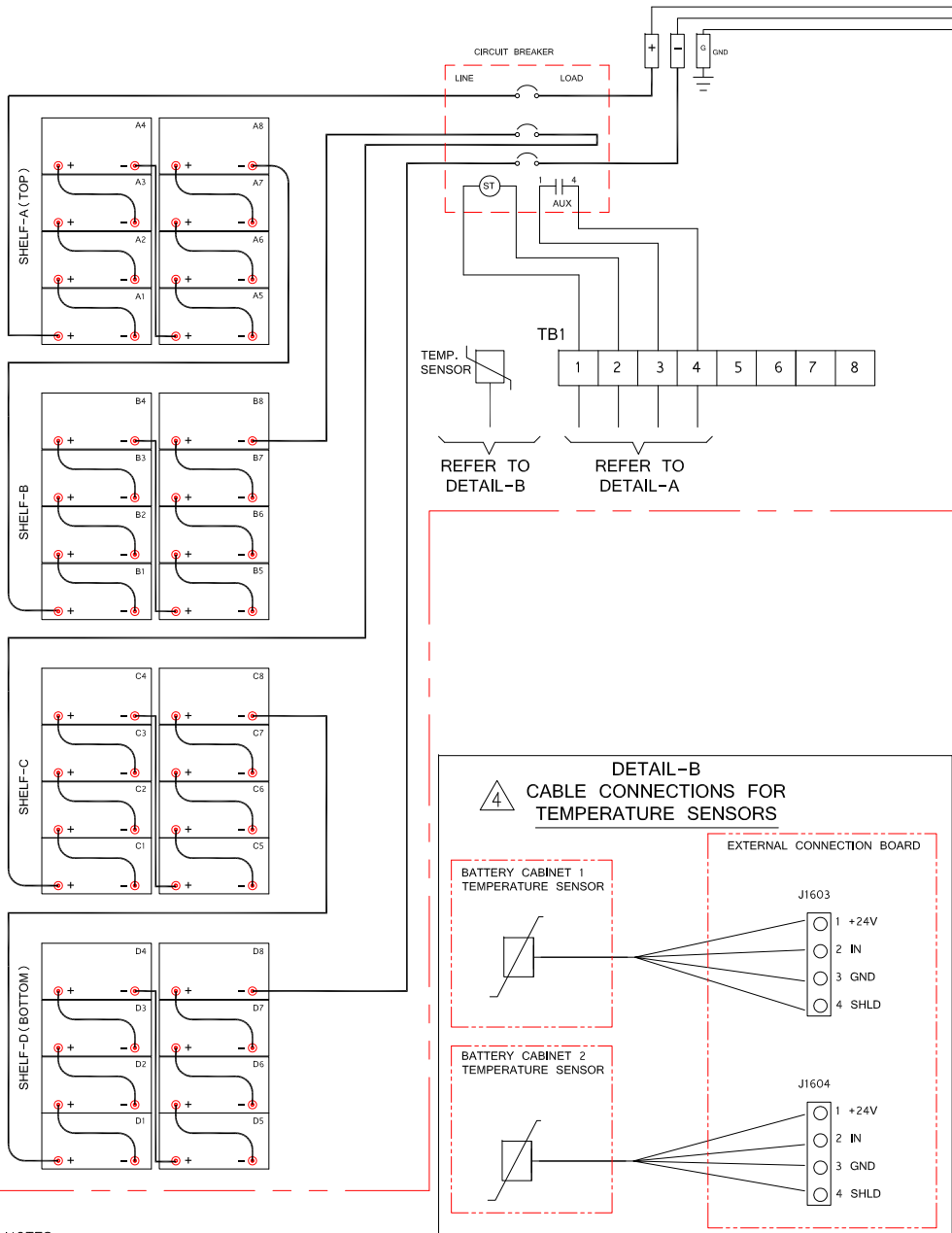
TITLE: GUTOR PXC
BATTERY CABINET 300-540 W/C
Input: 450Vdc, 3PH, 60Hz
Output: 450Vdc, 3PH, 60Hz
CABLING DETAILS-1

DWG NO: GUPXCB-1 REV. 0
DRAWN BY: K.NAGENDRA 20-JAN-17 THIRD
ENGINEER: IRENE KENNEDY 20-JAN-17 ANGLE
APPROVED BY: W.WATKINS 20-JAN-17 PROJECTION

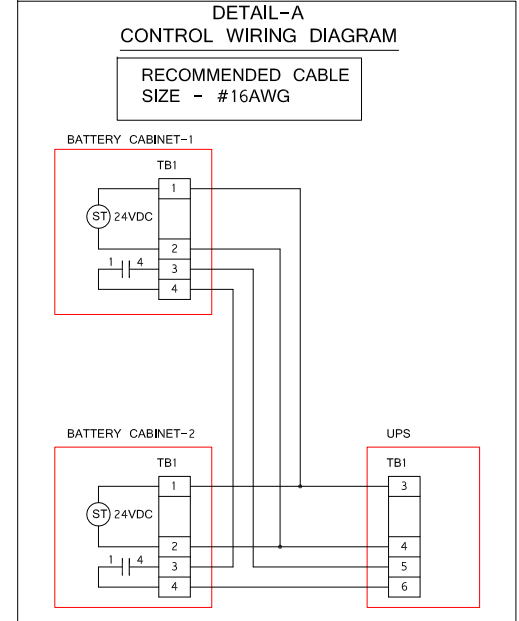
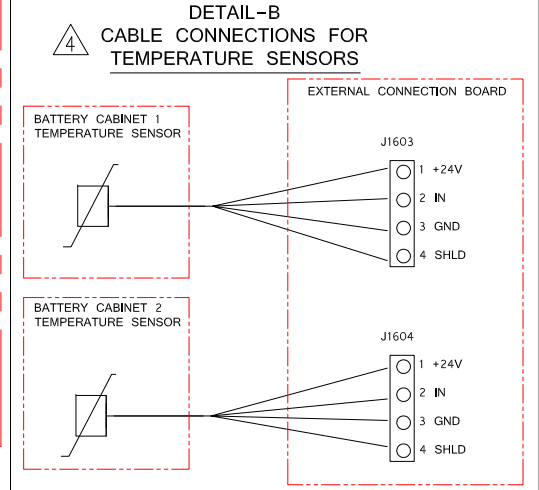
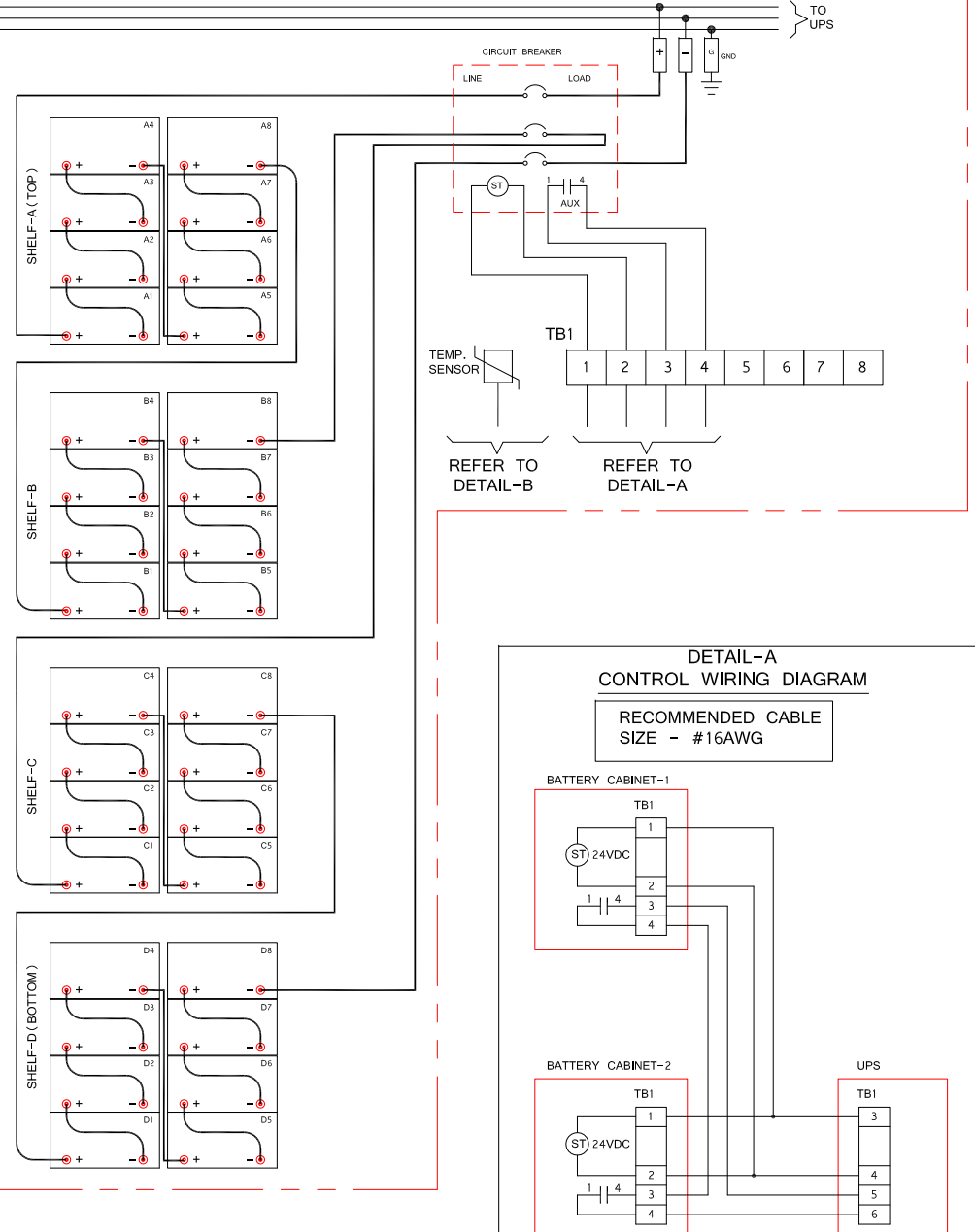
PROJECT: DRAWINGS SHEET 6 OF 7

TYPICAL CABLING DIAGRAM (TWO CABINETS)

BATTERY CABINET-1



BATTERY CABINET-2



- NOTES:
1. INSTALLATION SHALL COMPLY WITH ALL APPLICABLE NATIONAL, STATE AND LOCAL CODES.
 2. REFER TO PRODUCT DOCUMENTATION FOR ADDITIONAL DETAILS PRIOR TO INSTALLATION AND SITE PREPARATION WORK.
 3. REFER TO BATTERY INSTALLATION MANUAL FOR CABLING DETAILS.
 4. FOR REMOTE CABINET, CONNECT THE TEMPERATURE SENSOR TO BATTERY CABINET TB1, PINS 5,6,7 & 8. WIRING NOT PROVIDED TO UPS.

THIS DRAWING AND SPECIFICATIONS HEREIN ARE THE PROPERTY OF SCHNEIDER ELECTRIC AND SHALL NOT BE COPIED, REPRODUCED OR USED IN WHOLE OR IN PART, AS THE BASIS FOR THE MANUFACTURE OR SALE OF ITEMS WITHOUT WRITTEN PERMISSION FROM SCHNEIDER ELECTRIC. THIS DRAWING IS BASED UPON LATEST AVAILABLE INFORMATION AND IS SUBJECT TO CHANGE WITHOUT NOTICE.



TITLE: GUTOR PXC
BATTERY CABINET 300-540 W/C
Input: 450Vdc, 3PH, 60Hz
Output: 450Vdc, 3PH, 60Hz
CABLING DETAILS-2

PROJECT: DRAWINGS SHEET 7 OF 7

DWG NO: GUPXCB-1 REV. 0

DRAWN BY:	K.NAGENDRA	20-JAN-17	THIRD
ENGINEER:	IRENE KENNEDY	20-JAN-17	ANGLE
APPROVED BY:	W.WATKINS	20-JAN-17	PROJECTION