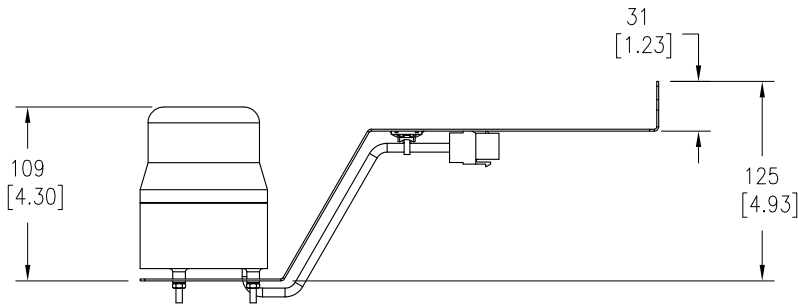
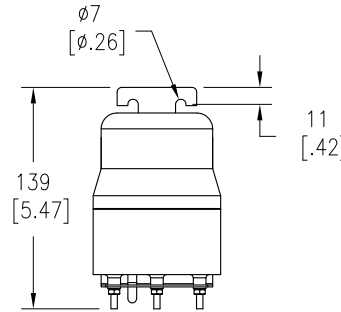


CEILING PANEL LOCK SYSTEM (W/O POWER)

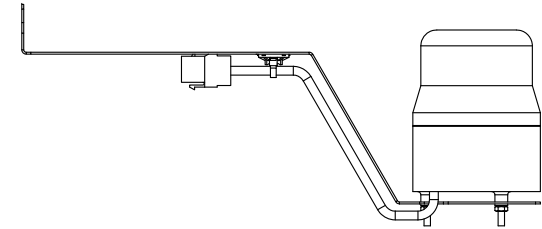
ASSEMBLY FIRE ALARM ACS



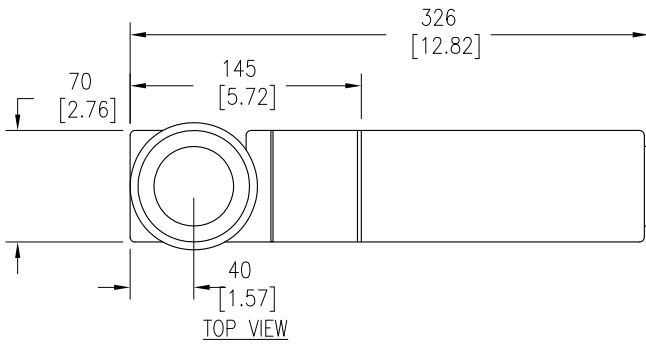
FRONT VIEW



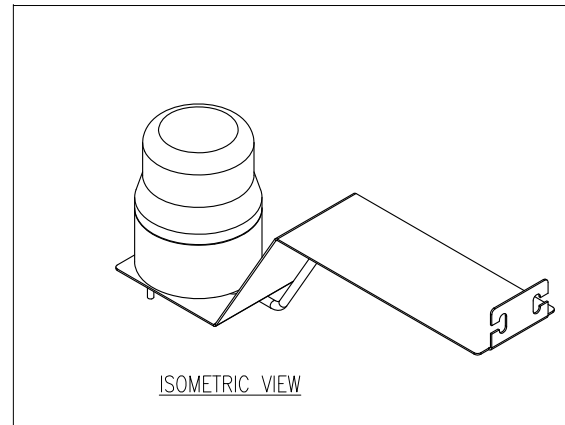
LEFT SIDE VIEW



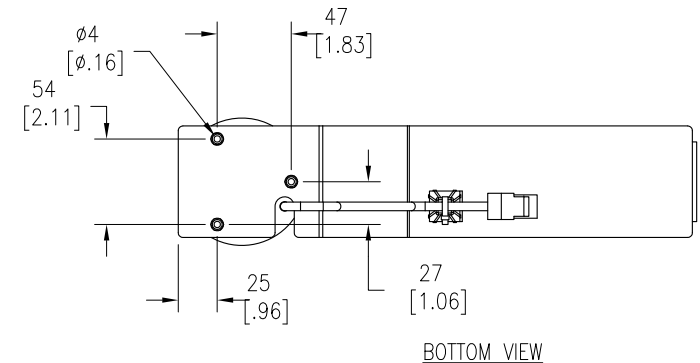
REAR VIEW



TOP VIEW



ISOMETRIC VIEW



BOTTOM VIEW

NOTES:

1. COMPLY WITH ALL APPLICABLE NATIONAL AND LOCAL ELECTRICAL REGULATIONS.
2. REFER TO PRODUCT DOCUMENTATION FOR ADDITIONAL DETAILS PRIOR TO INSTALLATION AND SITE PREPARATION WORK.
3. ALL DIMENSIONS ARE IN MILLIMETERS [INCHES].
4. NET WEIGHT

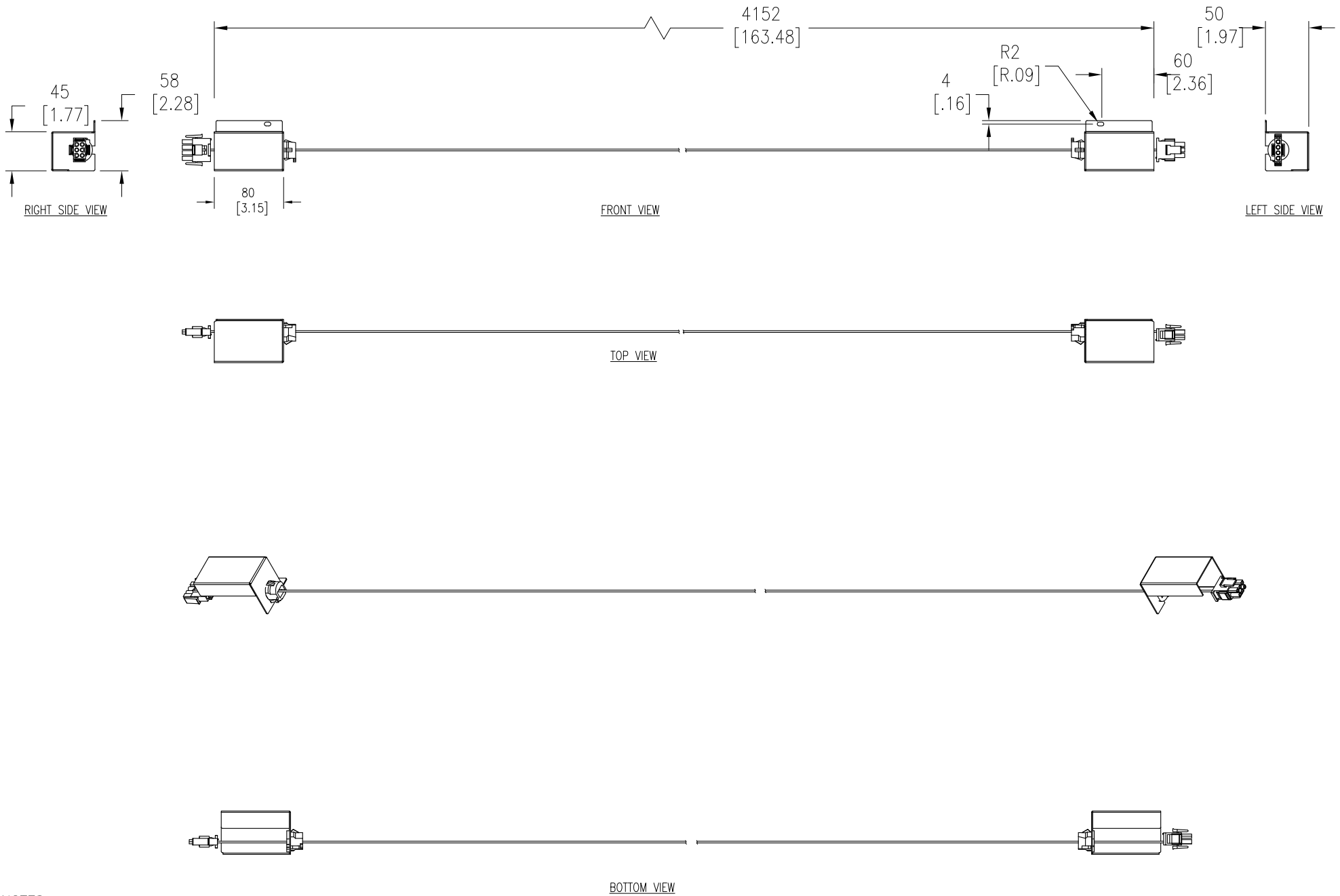
THIS DRAWING AND SPECIFICATIONS HEREIN ARE THE PROPERTY OF SCHNEIDER ELECTRIC AND SHALL NOT BE COPIED, REPRODUCED OR USED IN WHOLE OR IN PART, AS THE BASIS FOR THE MANUFACTURE OR SALE OF ITEMS WITHOUT WRITTEN PERMISSION FROM SCHNEIDER ELECTRIC. THIS DRAWING IS BASED UPON LATEST AVAILABLE INFORMATION AND IS SUBJECT TO CHANGE WITHOUT NOTICE.



TITLE:		DWG NO:	REV.
Eco-Aisle (TM) Aisle Containment System CEILING PANEL LOCK SYSTEM(WITH POWER) ASSY FIRE ALARM ACS		ACDC2016-2017	0
DRAWN BY:		06-JAN-14	FIRST
ENGINEER		06-JAN-14	ANGLE
PROJECT: SUBMITTAL DRAWINGS		APPROVED BY	PROJ
SHEET 1 OF 6		AARON GRAFF	06-JAN-14

CEILING PANEL LOCK SYSTEM (W/O POWER)

COVER BOX TO BOX WIRING ASSEMBLY



NOTES:

1. COMPLY WITH ALL APPLICABLE NATIONAL AND LOCAL ELECTRICAL REGULATIONS.
2. REFER TO PRODUCT DOCUMENTATION FOR ADDITIONAL DETAILS PRIOR TO INSTALLATION AND SITE PREPARATION WORK.
3. ALL DIMENSIONS ARE IN MILLIMETERS [INCHES].

THIS DRAWING AND SPECIFICATIONS HEREIN ARE THE PROPERTY OF SCHNEIDER ELECTRIC AND SHALL NOT BE COPIED, REPRODUCED OR USED IN WHOLE OR IN PART, AS THE BASIS FOR THE MANUFACTURE OR SALE OF ITEMS WITHOUT WRITTEN PERMISSION FROM SCHNEIDER ELECTRIC. THIS DRAWING IS BASED UPON LATEST AVAILABLE INFORMATION AND IS SUBJECT TO CHANGE WITHOUT NOTICE.

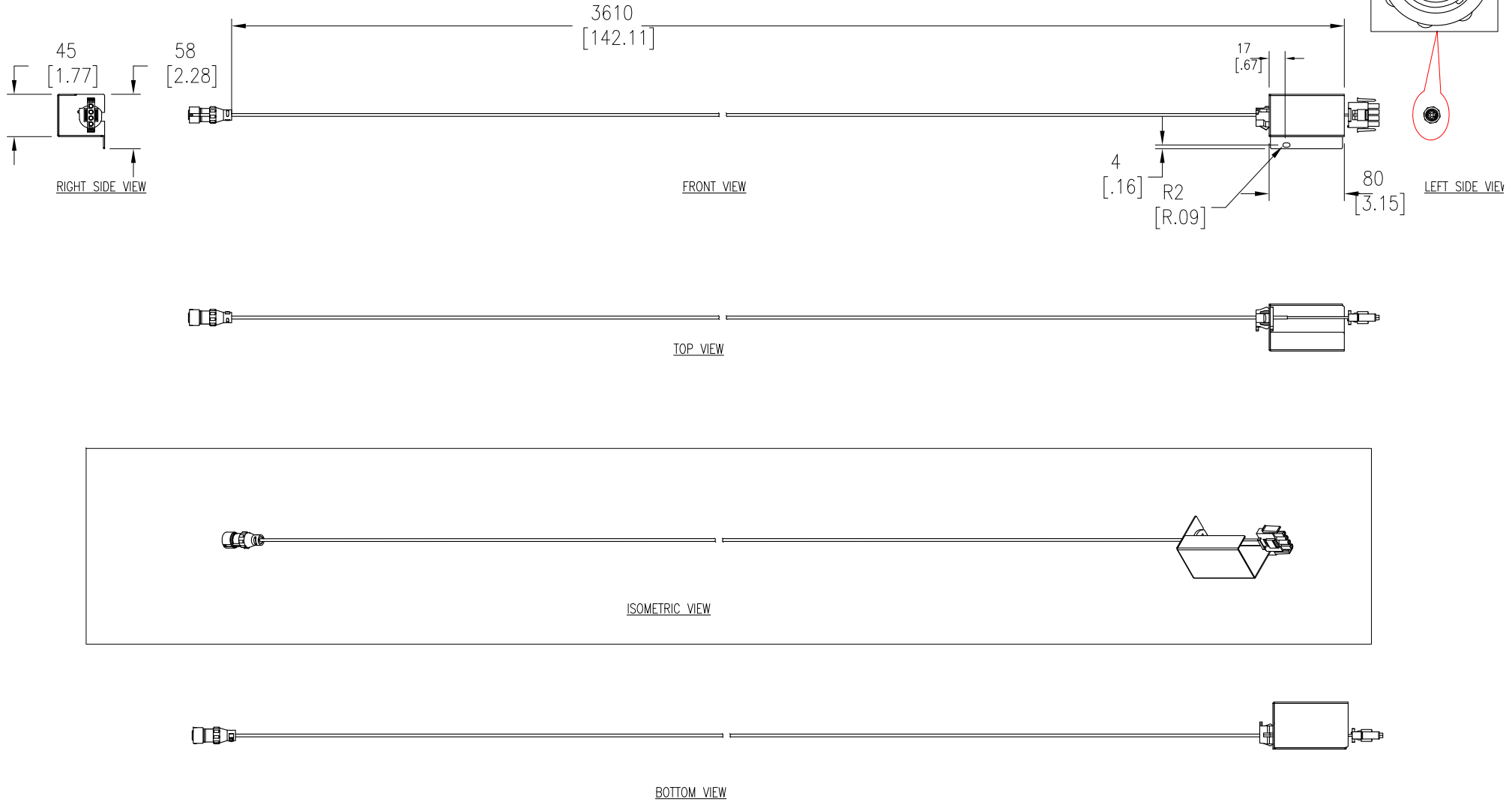


TITLE:
Eco-Aisle (TM) Aisle Containment System
CEILING PANEL LOCK SYSTEM(WITH POWER)
COVER BOX WIRING ACROSS AISLE
PROJECT: SUBMITTAL DRAWINGS SHEET 2 OF 6

DWG NO:	ACDC2016-2017	REV.	0
DRAWN BY:	K.NAGENDRA	06-JAN-14	FIRST
ENGINEER:	RUSTIN SHI/MARK MENG	06-JAN-14	ANGLE
APPROVED BY:	AARON GRAFF	06-JAN-14	PROJ

CEILING PANEL LOCK SYSTEM (W/O POWER)

COVER BOX TO BOX WIRING ASSEMBLY



NOTES:

1. COMPLY WITH ALL APPLICABLE NATIONAL AND LOCAL ELECTRICAL REGULATIONS.
2. REFER TO PRODUCT DOCUMENTATION FOR ADDITIONAL DETAILS PRIOR TO INSTALLATION AND SITE PREPARATION WORK.
3. ALL DIMENSIONS ARE IN MILLIMETERS [INCHES].

THIS DRAWING AND SPECIFICATIONS HEREIN ARE THE PROPERTY OF SCHNEIDER ELECTRIC AND SHALL NOT BE COPIED, REPRODUCED OR USED IN WHOLE OR IN PART, AS THE BASIS FOR THE MANUFACTURE OR SALE OF ITEMS WITHOUT WRITTEN PERMISSION FROM SCHNEIDER ELECTRIC. THIS DRAWING IS BASED UPON LATEST AVAILABLE INFORMATION AND IS SUBJECT TO CHANGE WITHOUT NOTICE.



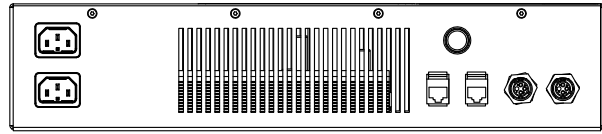
TITLE:
Eco-Aisle (TM) Aisle Containment System
CEILING PANEL LOCK SYSTEM(WITH POWER)
POWER SUPPLY TO BOX WIRING ASSY

PROJECT: SUBMITTAL DRAWINGS SHEET 3 OF 6

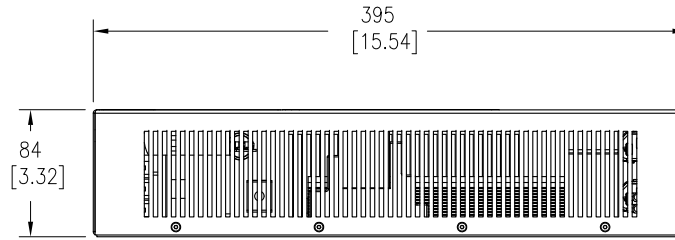
DWG NO:	ACDC2016-2017	REV.	0
DRAWN BY:	K.NAGENDRA	06-JAN-14	FIRST
ENGINEER:	BUSTIN SHI/MARK MENG	06-JAN-14	ANGLE
APPROVED BY:	AARON GRAFF	06-JAN-14	PROJ

CEILING PANEL LOCK SYSTEM (WITH POWER SUPPLY)

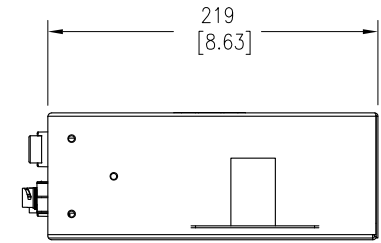
ASSY DROPOUT POWER SUPPLY CONTROL BOX (110V/220V) ACS



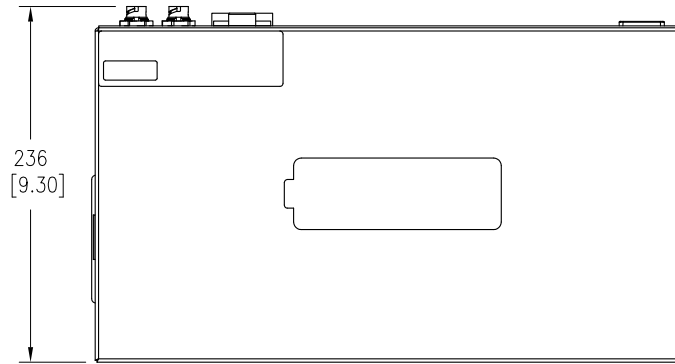
REAR VIEW



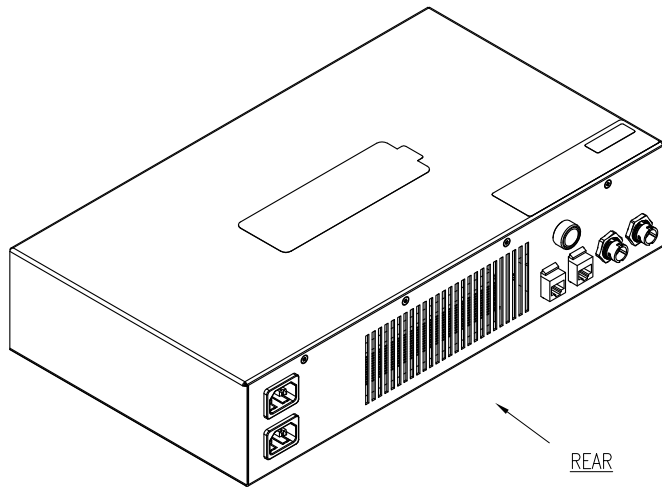
FRONT VIEW



LEFT SIDE VIEW



TOP VIEW



ISOMETRIC VIEW

NOTES:

1. COMPLY WITH ALL APPLICABLE NATIONAL AND LOCAL ELECTRICAL REGULATIONS.
2. REFER TO PRODUCT DOCUMENTATION FOR ADDITIONAL DETAILS PRIOR TO INSTALLATION AND SITE PREPARATION WORK.
3. ALL DIMENSIONS ARE IN MILLIMETERS [INCHES].

THIS DRAWING AND SPECIFICATIONS HEREIN ARE THE PROPERTY OF SCHNEIDER ELECTRIC AND SHALL NOT BE COPIED, REPRODUCED OR USED IN WHOLE OR IN PART, AS THE BASIS FOR THE MANUFACTURE OR SALE OF ITEMS WITHOUT WRITTEN PERMISSION FROM SCHNEIDER ELECTRIC. THIS DRAWING IS BASED UPON LATEST AVAILABLE INFORMATION AND IS SUBJECT TO CHANGE WITHOUT NOTICE.



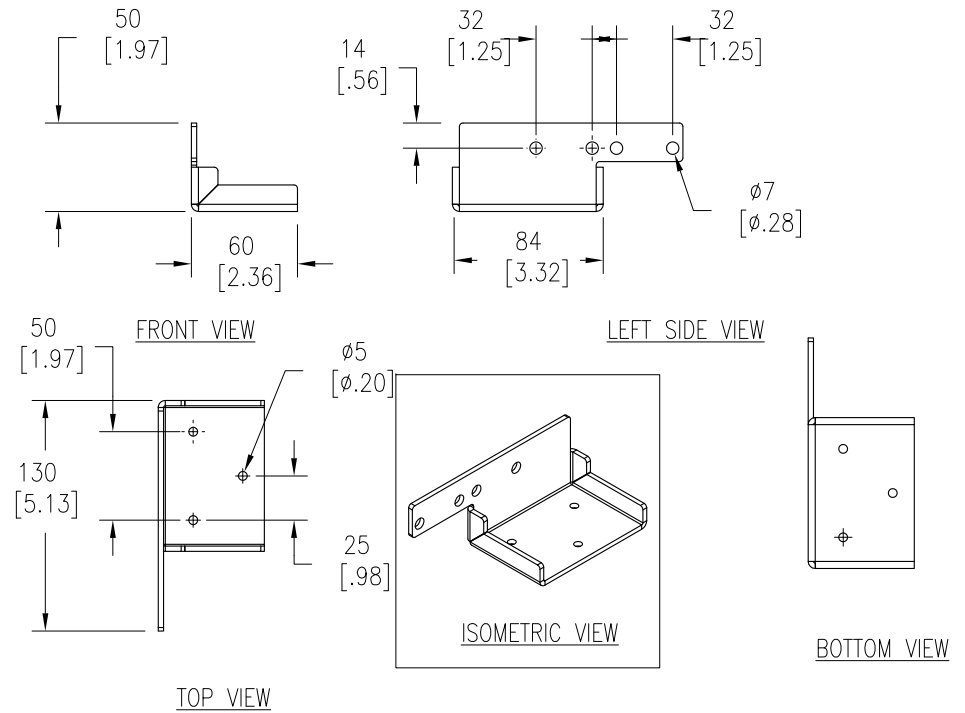
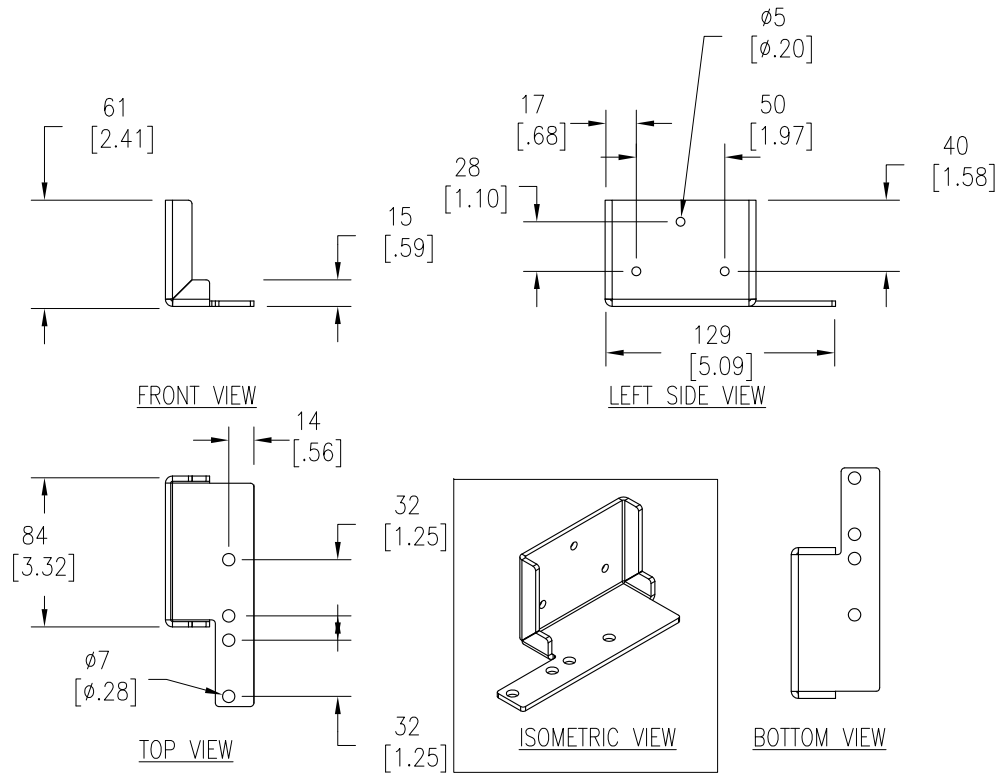
TITLE:
Eco-Aisle (TM) Aisle Containment System
CEILING PANEL LOCK SYSTEM(WITH POWER)
ASSY DROPOUT PWR SUPPLY

PROJECT: SUBMITTAL DRAWINGS SHEET 4 OF 6

DWG NO:	ACDC2016-2017	REV.	0
DRAWN BY:	K.NAGENDRA	06-JAN-14	FIRST ANGLE PROJ
ENGINEER:	RUSTIN SHI/MARK MENG	06-JAN-14	
APPROVED BY:	AARON GRAFF	06-JAN-14	

CEILING PANEL LOCK SYSTEM (WITH POWER SUPPLY)

BRACKETS LH & RH FOR POWER SUPPLY ACS



NOTES:

1. COMPLY WITH ALL APPLICABLE NATIONAL AND LOCAL ELECTRICAL REGULATIONS.
2. REFER TO PRODUCT DOCUMENTATION FOR ADDITIONAL DETAILS PRIOR TO INSTALLATION AND SITE PREPARATION WORK.
3. ALL DIMENSIONS ARE IN MILLIMETERS [INCHES].

THIS DRAWING AND SPECIFICATIONS HEREIN ARE THE PROPERTY OF SCHNEIDER ELECTRIC AND SHALL NOT BE COPIED, REPRODUCED OR USED IN WHOLE OR IN PART, AS THE BASIS FOR THE MANUFACTURE OR SALE OF ITEMS WITHOUT WRITTEN PERMISSION FROM SCHNEIDER ELECTRIC. THIS DRAWING IS BASED UPON LATEST AVAILABLE INFORMATION AND IS SUBJECT TO CHANGE WITHOUT NOTICE.

Schneider Electric

TITLE:

Eco-Aisle (TM) Aisle Containment System
CEILING PANEL LOCK SYSTEM(WITH POWER)
BRKTS LH AND RH PWR SUPPLY ACS

PROJECT: SUBMITTAL DRAWINGS SHEET 5 OF 6

DWG NO: ACDC2016-2017

REV. 0

DRAWN BY: K.NAGENDRA 06-JAN-14

ENGINEER: RUSTIN SHI/MARK MENG 06-JAN-14

APPROVED BY: AARON GRAFF 06-JAN-14

FIRST

ANGLE

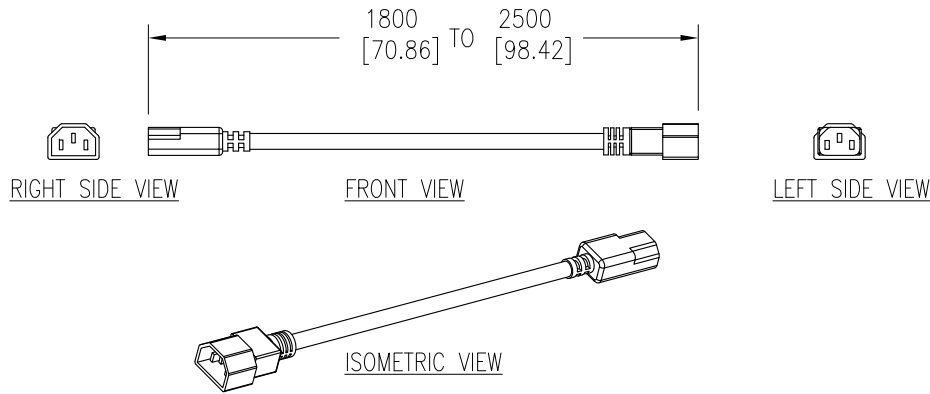
PROJ

ACDC2017

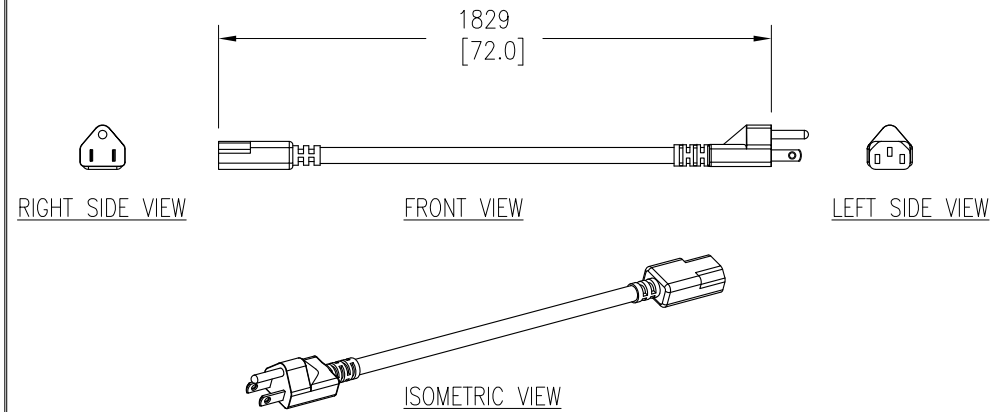
CEILING PANEL LOCK SYSTEM (WITH POWER SUPPLY)

ACDC2016

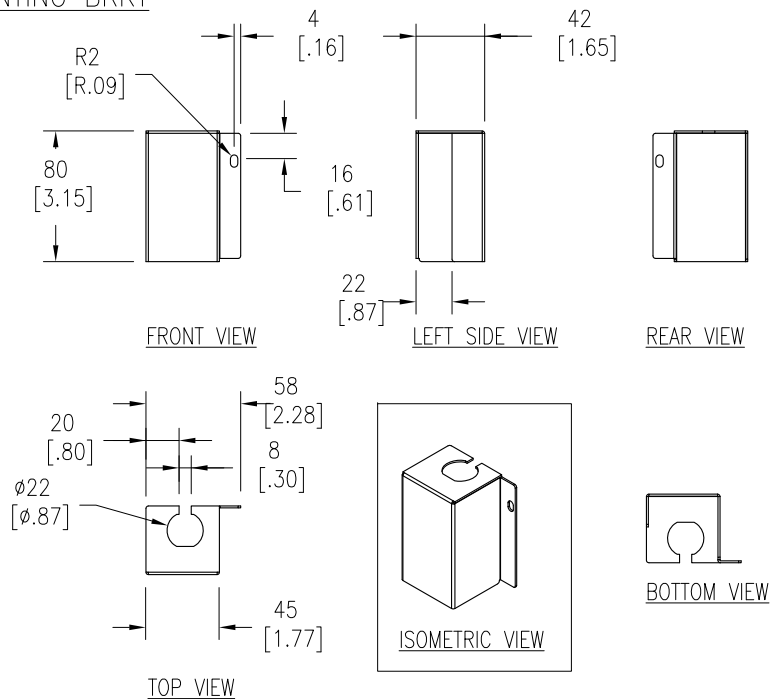
PWR CORD CEE22 JUMP 2M 10A ROHS



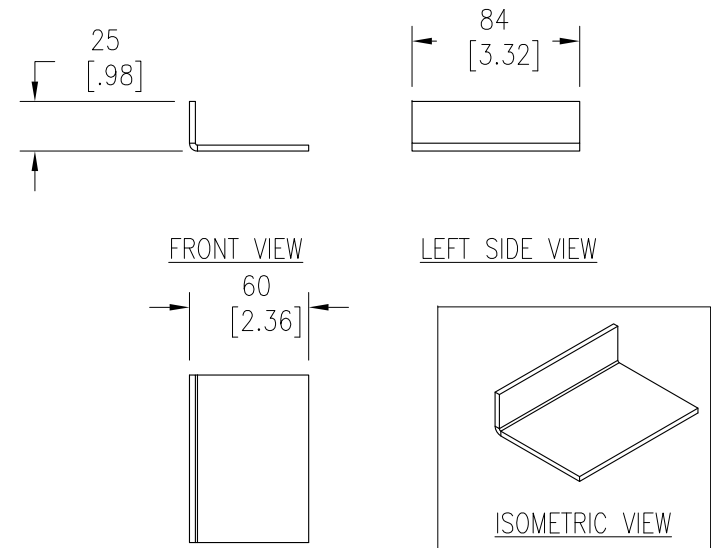
PWR CORD 6' C13/15 DELL ROHS



MOUNTING BRKT



BRACKET



NOTES:

1. COMPLY WITH ALL APPLICABLE NATIONAL AND LOCAL ELECTRICAL REGULATIONS.
2. REFER TO PRODUCT DOCUMENTATION FOR ADDITIONAL DETAILS PRIOR TO INSTALLATION AND SITE PREPARATION WORK.
3. ALL DIMENSIONS ARE IN MILLIMETERS [INCHES].

THIS DRAWING AND SPECIFICATIONS HEREIN ARE THE PROPERTY OF SCHNEIDER ELECTRIC AND SHALL NOT BE COPIED, REPRODUCED OR USED IN WHOLE OR IN PART, AS THE BASIS FOR THE MANUFACTURE OR SALE OF ITEMS WITHOUT WRITTEN PERMISSION FROM SCHNEIDER ELECTRIC. THIS DRAWING IS BASED UPON LATEST AVAILABLE INFORMATION AND IS SUBJECT TO CHANGE WITHOUT NOTICE.



TITLE:
Eco-Aisle (TM) Aisle Containment System
CEILING PANEL LOCK SYSTEM(WITH POWER)
POWER CORDS & BRACKETS
PROJECT: SUBMITTAL DRAWINGS SHEET 6 OF 6

DWG NO:	ACDC2016-2017	REV.	1
DRAWN BY:	K.NAGENDRA	06-DEC-13	FIRST ANGLE PROJ
ENGINEER:	BUSTIN SHI/MARK MENG	06-DEC-13	
APPROVED BY:	AARON GRAFF	06-DEC-13	