

NOTES:

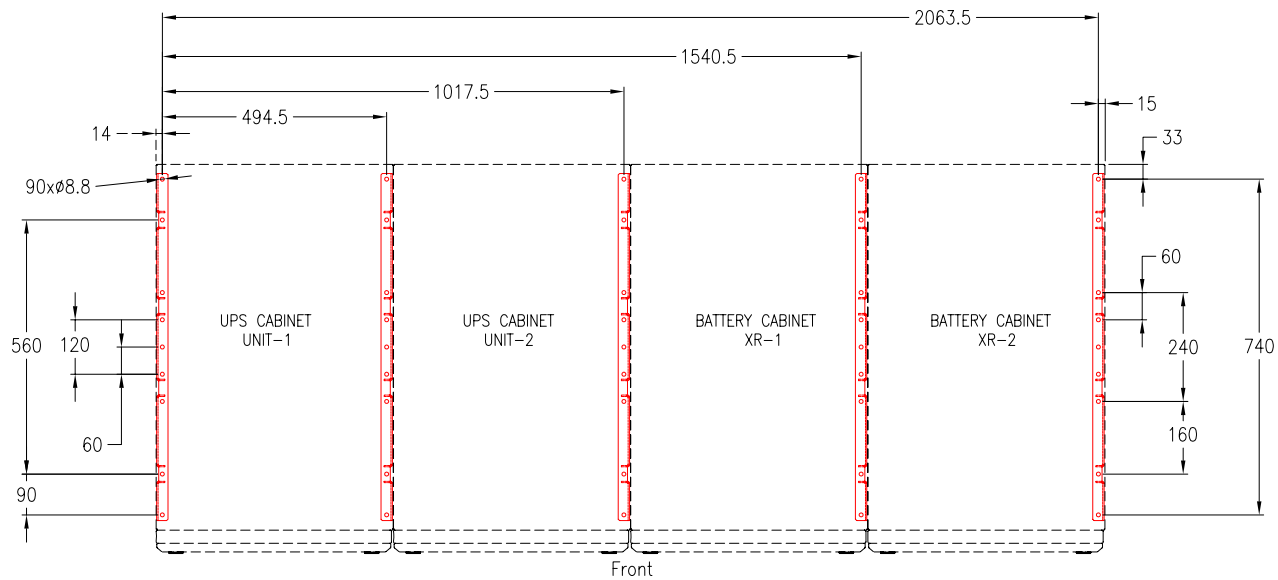
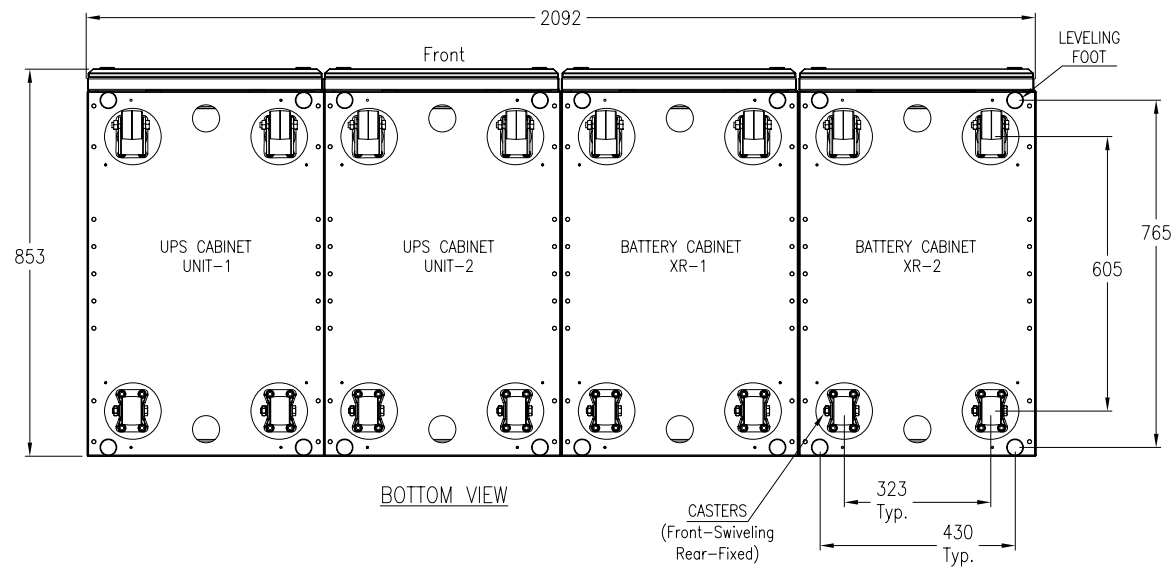
1. INSTALLATION SHALL COMPLY WITH ALL APPLICABLE NATIONAL, STATE AND LOCAL ELECTRICAL REGULATIONS.
2. PLEASE REFER TO PRODUCT MANUALS FOR ADDITIONAL DETAILS.
3. ALL DIMENSIONS ARE IN MILLIMETERS. UNLESS OTHERWISE SPECIFIED.
4. CABLE ENTRY IS FROM REAR SIDE OF THE UNIT OR THROUGH CONDUIT BOX(OPTIONAL).
- △ 5. MAXIMUM ALLOWABLE CABLE LENGTH BETWEEN SBP & UPS = 30mts.
6. FRONT AND REAR SERVICE ACCESS IS REQUIRED.
7. NET WEIGHT OF UNIT, CONFIGURATION AND RUNTIME DETAILS REFER TO PAGE-4
8. OPTIONAL BAYING KIT DETAILS:
 G35TOPT004 – UPS TO XR
 G35TOPT005 – XR TO XR

THIS DRAWING AND SPECIFICATIONS HEREIN ARE THE PROPERTY OF SCHNEIDER ELECTRIC AND SHALL NOT BE COPIED, REPRODUCED OR USED IN WHOLE OR IN PART, AS THE BASIS FOR THE MANUFACTURE OR SALE OF ITEMS WITHOUT WRITTEN PERMISSION FROM SCHNEIDER ELECTRIC. THIS DRAWING IS BASED UPON LATEST AVAILABLE INFORMATION AND IS SUBJECT TO CHANGE WITHOUT NOTICE.



TITLE:
MGE GALAXY 3500
10-40kVA 2 MODULES, 400V,
WITH 2-BATTERY CABINETS
GENERAL ARRANGEMENT
PROJECT: SUBMITTAL DRAWINGS SHEET 1 OF 4

DWG NO:	G35T10K40HW2B2SBP		REV:	0
DRAWN:	K NAGENDRA	23-JUL-09	FIRST	ANGLE
ENGINEER:	I.KENNEDY	23-JUL-09	PROJECTION	
APPROVED:	C.LARSEN	23-JUL-09		



FOOT PRINT
ANCHORING DETAILS

NOTES:

1. INSTALLATION SHALL COMPLY WITH ALL APPLICABLE NATIONAL, STATE AND LOCAL ELECTRICAL REGULATIONS.
2. PLEASE REFER TO PRODUCT MANUALS FOR ADDITIONAL DETAILS.
3. ALL DIMENSIONS ARE IN MILLIMETERS. UNLESS OTHERWISE SPECIFIED.

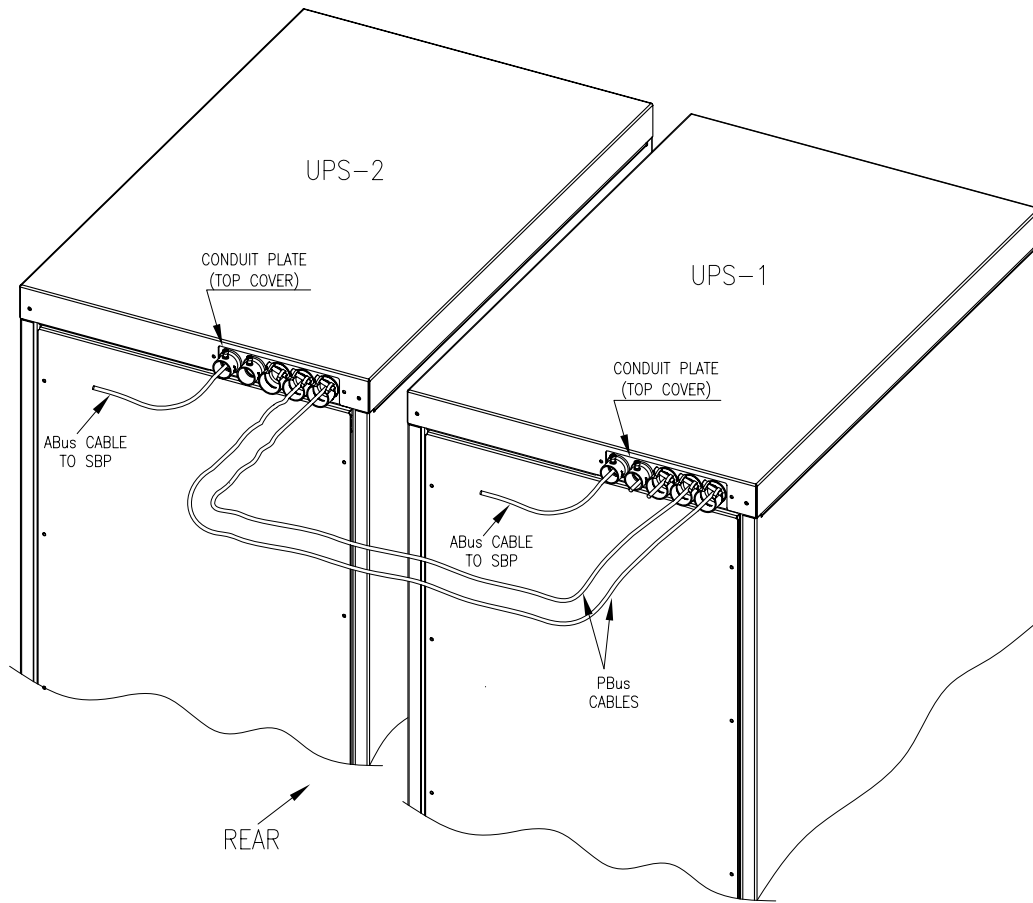
THIS DRAWING AND SPECIFICATIONS HEREIN ARE THE PROPERTY OF SCHNEIDER ELECTRIC AND SHALL NOT BE COPIED, REPRODUCED OR USED IN WHOLE OR IN PART, AS THE BASIS FOR THE MANUFACTURE OR SALE OF ITEMS WITHOUT WRITTEN PERMISSION FROM SCHNEIDER ELECTRIC. THIS DRAWING IS BASED UPON LATEST AVAILABLE INFORMATION AND IS SUBJECT TO CHANGE WITHOUT NOTICE.



TITLE:
MGE GALAXY 3500
10-40kVA 2 MODULES, 400V,
WITH 2-BATTERY CABINETS
BOTTOM VIEW AND ANCHORING DETAILS
PROJECT: SUBMITTAL DRAWINGS SHEET 2 OF 4

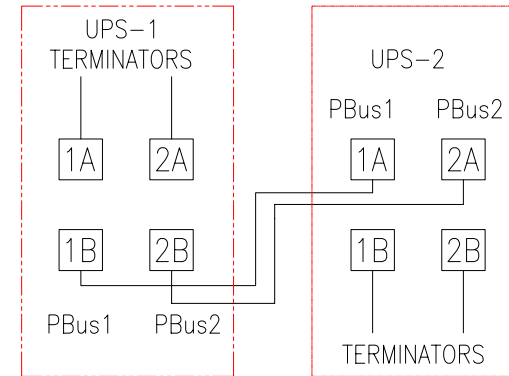
DWG NO: G35T10K40HW2B2SBP
DRAWN: K NAGENDRA
ENGINEER: I.KENNEDY
APPROVED: C.LARSEN

REV: 0
FIRST ANGLE PROJECTION



PARALLEL CONFIGURATION WIRING DETAILS
(ISOMETRIC VIEW)

PBus CABLE LAYOUT



NOTES:

1. INSTALLATION SHALL COMPLY WITH ALL APPLICABLE NATIONAL, STATE AND LOCAL ELECTRICAL REGULATIONS.
2. PLEASE REFER TO PRODUCT MANUALS FOR ADDITIONAL DETAILS.

THIS DRAWING AND SPECIFICATIONS HEREIN ARE THE PROPERTY OF SCHNEIDER ELECTRIC AND SHALL NOT BE COPIED, REPRODUCED OR USED IN WHOLE OR IN PART, AS THE BASIS FOR THE MANUFACTURE OR SALE OF ITEMS WITHOUT WRITTEN PERMISSION FROM SCHNEIDER ELECTRIC. THIS DRAWING IS BASED UPON LATEST AVAILABLE INFORMATION AND IS SUBJECT TO CHANGE WITHOUT NOTICE.



TITLE:

MGE GALAXY 3500
10-40KVA 2 MODULES, 400V,
WITH 2-BATTERY CABINETS
WIRING DETAILS

DWG NO:

G35T10K40HW2B2SBP

REV.

0

DRAWN:

K.NAGENDRA

23-JUL-09

ENGINEER:

I.KENNEDY

23-JUL-09

APPROVED:

C.LARSEN

23-JUL-09

FIRST
ANGLE
PROJECTION

PROJECT: SUBMITTAL DRAWINGS SHEET 3 OF 4

Weight and Runtime details for 2 module UPS (10-40kVA) with 1 XR Battery Cabinet per UPS

Battery position	No. of bat shelves	G35T10KH1B4S		G35T10KH2B4S		G35T10KH3B4S		G35T10KH4B4S		G35T15KH2B4S		G35T15KH3B4S		G35T15KH4B4S		G35T20KH2B4S		G35T20KH3B4S		G35T20KH4B4S		G35T30KH3B4S		G35T30KH4B4S		G35T40KH4B4S			
		Net Solution Weight (kg)	Runtime in Min	Net Solution Weight (kg)	Runtime in Min	Net Solution Weight (kg)	Runtime in Min	Net Solution Weight (kg)	Runtime in Min	Net Solution Weight (kg)	Runtime in Min	Net Solution Weight (kg)	Runtime in Min	Net Solution Weight (kg)	Runtime in Min	Net Solution Weight (kg)	Runtime in Min	Net Solution Weight (kg)	Runtime in Min	Net Solution Weight (kg)	Runtime in Min	Net Solution Weight (kg)	Runtime in Min	Net Solution Weight (kg)	Runtime in Min	Net Solution Weight (kg)	Runtime in Min	Net Solution Weight (kg)	Runtime in Min
UPS	1	702	6	n.a	n.a.	n.a	n.a.	n.a	n.a.	n.a	n.a.	n.a	n.a.	n.a	n.a.	n.a	n.a.	n.a	n.a.	n.a	n.a.	n.a	n.a.	n.a	n.a.	n.a	n.a.	n.a	n.a.
UPS	2	886	18	886	18	n.a	n.a.	n.a	n.a.	886	10	n.a	n.a.	n.a	n.a.	886	6	n.a	n.a.	n.a	n.a.	n.a	n.a.	n.a	n.a.	n.a	n.a.	n.a	n.a.
UPS	3	1070	32	1070	32	1070	32	n.a	n.a.	1070	18	1070	18	n.a	n.a.	1070	12	1070	12	n.a	n.a.	1140	6	n.a	n.a.	n.a	n.a.	n.a	n.a.
UPS	4	1254	47	1254	47	1254	47	1254	47	1254	27	1254	27	1254	27	1254	18	1254	18	1254	18	1324	10	1986	10	1986	6	1986	6
XR1	5	1838	62	1838	62	1838	62	1838	62	1838	37	1838	37	1838	37	1838	25	1838	25	1838	25	1908	14	2862	14	2862	9	2862	9
XR1	6	2030	78	2030	78	2030	78	2030	78	2030	47	2030	47	2030	47	2030	32	2030	32	2030	32	2100	18	3150	18	3150	12	3150	12
XR1	7	2222	95	2222	95	2222	95	2222	95	2222	57	2222	57	2222	57	2222	40	2222	40	2222	40	2292	23	3438	23	3438	15	3438	15
XR1	8	2414	112	2414	112	2414	112	2414	112	2414	68	2414	68	2414	68	2414	47	2414	47	2414	47	2484	28	3726	28	3726	19	3726	19
XR1	9	2606	130	2606	130	2606	130	2606	130	2606	79	2606	79	2606	79	2606	55	2606	55	2606	55	2676	32	4014	32	4014	22	4014	22
XR1	10	2798	148	2798	148	2798	148	2798	148	2798	90	2798	90	2798	90	2798	63	2798	63	2798	63	2868	37	4302	37	4302	37	4302	25
XR2	11	3382	166	3382	166	3382	166	3382	166	3382	101	3382	101	3382	101	3382	71	3382	71	3382	71	3452	42	5178	42	5178	29	5178	29
XR2	12	3574	185	3574	185	3574	185	3574	185	3574	113	3574	113	3574	113	3574	79	3574	79	3574	79	3644	47	5466	47	5466	33	5466	33
XR2	13	3766	204	3766	204	3766	204	3766	204	3766	124	3766	124	3766	124	3766	87	3766	87	3766	87	3836	52	5754	52	5754	36	5754	36
XR2	14	3958	223	3958	223	3958	223	3958	223	3958	136	3958	136	3958	136	3958	96	3958	96	3958	96	4028	58	6042	58	6042	40	6042	40
XR2	15	4150	243	4150	243	4150	243	4150	243	4150	148	4150	148	4150	148	4150	105	4150	105	4150	105	4220	63	6330	63	6330	44	6330	44
XR2	16	4342	262	4342	262	4342	262	4342	262	4342	161	4342	161	4342	161	4342	113	4342	113	4342	113	4412	68	6618	68	6618	47	6618	47
XR3	17	4926	282	4926	282	4926	282	4926	282	4926	173	4926	173	4926	173	4926	122	4926	122	4926	122	4996	74	7494	74	7494	51	7494	51
XR3	18	5118	303	5118	303	5118	303	5118	303	5118	185	5118	185	5118	185	5118	131	5118	131	5118	131	5188	79	7782	79	7782	55	7782	55
XR3	19	5310	323	5310	323	5310	323	5310	323	5310	198	5310	198	5310	198	5310	140	5310	140	5310	140	5380	85	8070	85	8070	59	8070	59
XR3	20	5502	344	5502	344	5502	344	5502	344	5502	211	5502	211	5502	211	5502	149	5502	149	5502	149	5572	90	8358	90	8358	63	8358	63
XR3	21	5694	365	5694	365	5694	365	5694	365	5694	224	5694	224	5694	224	5694	158	5694	158	5694	158	5764	96	8646	96	8646	67	8646	67
XR3	22	5886	386	5886	386	5886	386	5886	386	5886	237	5886	237	5886	237	5886	168	5886	168	5886	168	5956	102	8934	102	8934	71	8934	71
XR4	23	6470	408	6470	408	6470	408	6470	408	6470	250	6470	250	6470	250	6470	177	6470	177	6470	177	6540	107	9810	107	9810	75	9810	75
XR4	24	6662	429	6662	429	6662	429	6662	429	6662	263	6662	263	6662	263	6662	187	6662	187	6662	187	6732	113	10098	113	10098	79	10098	79
XR4	25	6854	451	6854	451	6854	451	6854	451	6854	277	6854	277	6854	277	6854	196	6854	196	6854	196	6924	119	10386	119	10386	84	10386	84
XR4	26	7046	473	7046	473	7046	473	7046	473	7046	290	7046	290	7046	290	7046	206	7046	206	7046	206	7116	125	10674	125	10674	88	10674	88
XR4	27	7238	495	7238	495	7238	495	7238	495	7238	304	7238	304	7238	304	7238	215	7238	215	7238	215	7308	131	10962	131	10962	92	10962	92
XR4	28	7430	517	7430	517	7430	517	7430	517	7430	318	7430	318	7430	318	7430	225	7430	225	7430	225	7500	137	11250	137	11250	96	11250	96

3

- NOTES:
 1. INSTALLATION SHALL COMPLY WITH ALL APPLICABLE NATIONAL, STATE AND LOCAL ELECTRICAL REGULATIONS.
 2. PLEASE REFER TO PRODUCT MANUALS FOR ADDITIONAL DETAILS.
 3. CONFIGURATION REPRESENTED IN THIS DRAWING IS HIGHLIGHTED IN ITALIC BOLD TEXT.
 4. WEIGHT OF SBP IS NOT INCLUDED IN THIS SOLUTION WEIGHT TABLE.

THIS DRAWING AND SPECIFICATIONS HEREIN ARE THE PROPERTY OF SCHNEIDER ELECTRIC AND SHALL NOT BE COPIED, REPRODUCED OR USED IN WHOLE OR IN PART, AS THE BASIS FOR THE MANUFACTURE OR SALE OF ITEMS WITHOUT WRITTEN PERMISSION FROM SCHNEIDER ELECTRIC. THIS DRAWING IS BASED UPON LATEST AVAILABLE INFORMATION AND IS SUBJECT TO CHANGE WITHOUT NOTICE.



TITLE:
 MGE GALAXY 3500
 10-40kVA 2 MODULES, 400V,
 WITH 2-BATTERY CABINETS
 CONFIGURATION & RUNTIME DETAILS
 PROJECT: SUBMITTAL DRAWINGS SHEET 4 OF 4

DWG NO: G35T10K40HW2B2SBP
 DRAWN: K NAGENDRA 23-JUL-09
 ENGINEER: I.KENNEDY 23-JUL-09
 APPROVED: C.LARSEN 23-JUL-09

REV: 0
 ANGLE PROJECTION
 N.A.