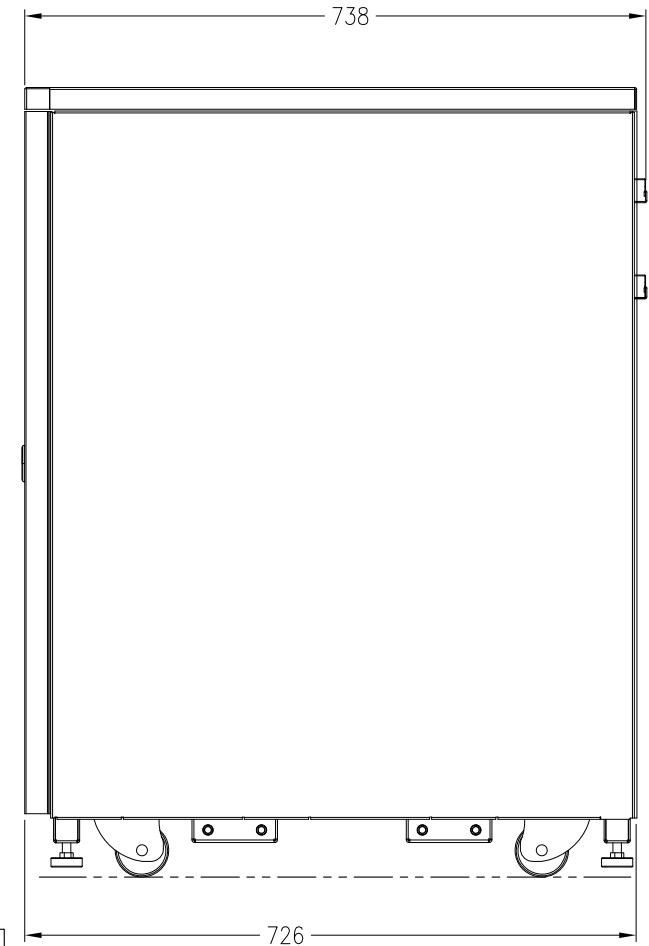
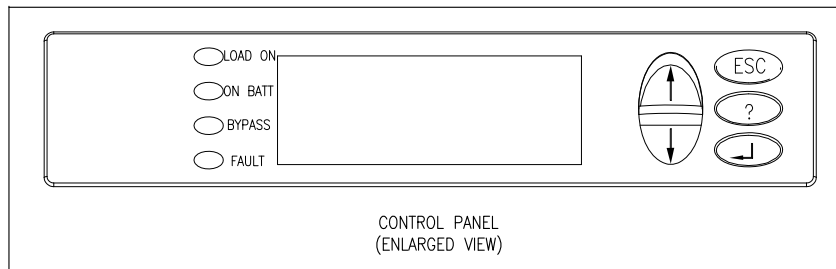


FRONT VIEW



VIEW-B

**NOTES:**

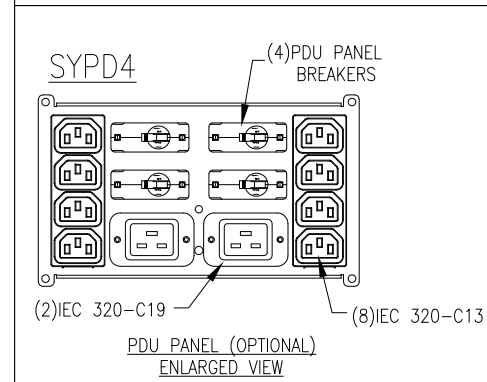
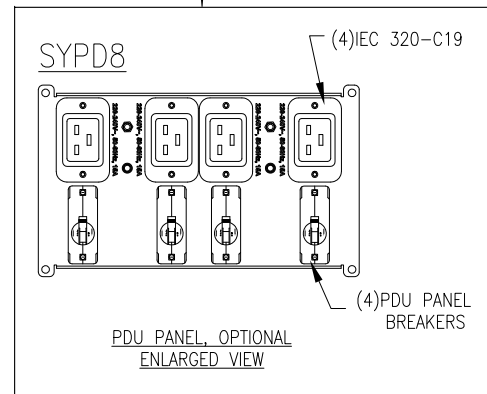
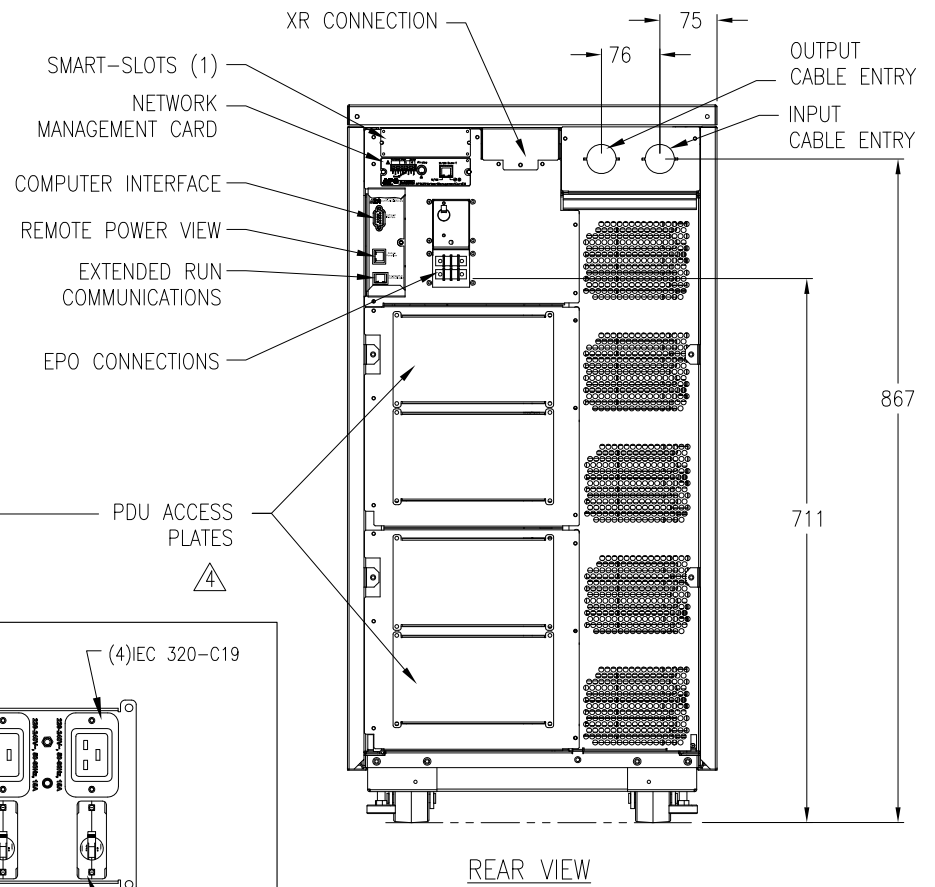
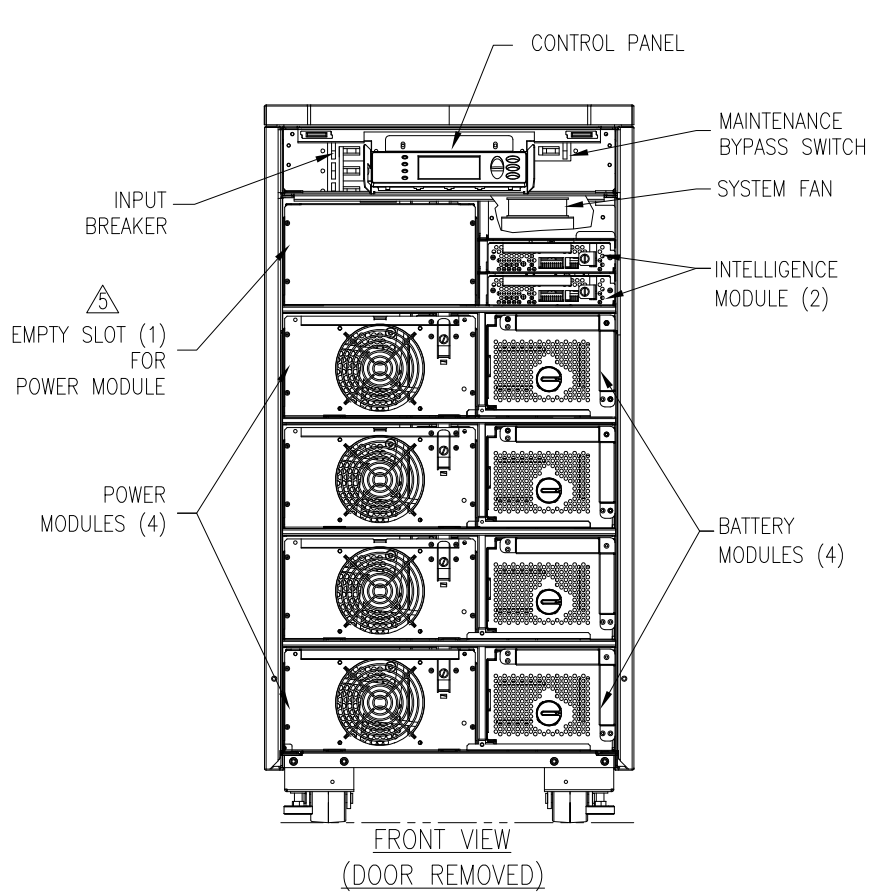
1. INSTALLATION MUST COMPLY WITH NATIONAL, STATE AND LOCAL ELECTRICAL REGULATIONS.
2. PLEASE REFER TO PRODUCT DOCUMENTATION FOR FURTHER INFORMATION.
3. ALL DIMENSIONS ARE IN MILLIMETERS, UNLESS OTHERWISE SPECIFIED.
4. NET WEIGHT OF THE UNIT IS 308 kg.
5. CABLE ENTRY IS REAR SIDE OF THE UNIT.
6. AIR FLOW AND SERVICE REQUIREMENTS, AS WELL AS MINIMUM CLEARANCE TO FIRE SUPPRESSION SYSTEMS SHOULD BE CONSIDERED WHEN LOCATING THE UNIT.

THIS DRAWING AND SPECIFICATIONS HEREIN ARE THE PROPERTY OF SCHNEIDER ELECTRIC AND SHALL NOT BE COPIED, REPRODUCED OR USED IN WHOLE OR IN PART, AS THE BASIS FOR THE MANUFACTURE OR SALE OF ITEMS WITHOUT WRITTEN PERMISSION FROM SCHNEIDER ELECTRIC. THIS DRAWING IS BASED UPON LATEST AVAILABLE INFORMATION AND IS SUBJECT TO CHANGE WITHOUT NOTICE.



TITLE: SYMMETRA LX 16kVA TOWER  
 INPUT: 220/230/230VAC (1φ+N+G) 50/60Hz  
 OR 380/400/415VAC (3φ+N+G) 50/60Hz  
 OUTPUT: 220/230/240VAC 50/60Hz  
 MAIN MECHANICAL

DWG NO:	SYA16K16I-MM1	REV:	2
DRAWN:	K NAGENDRA	06-JAN-09	PROJ. ANGLE
ENGINEER:	K WHITE	06-JAN-09	N/A
APPROVED:	N WHITING	06-JAN-09	



**NOTES:**

1. INSTALLATION MUST COMPLY WITH NATIONAL, STATE AND LOCAL ELECTRICAL REGULATIONS.
2. PLEASE REFER TO PRODUCT DOCUMENTATION FOR FURTHER INFORMATION.
3. ALL DIMENSIONS ARE IN MILLIMETERS, UNLESS OTHERWISE SPECIFIED.

- △ 4. UP TO FOUR (4), OPTIONAL, SYMMETRA LX PDU PANELS CAN BE PURCHASED SEPARATELY AND INSTALLED TO PROVIDE FURTHER LOAD CONNECTIONS.
- △ 5. THE SYMMETRA LX, SKU NUMBER SYA16K16I, IS SHOWN IN A NON-REDUNDANT CONFIGURATION, HAVING FOUR (4) POWER MODULES (SYPM4KI) AND FOUR (4) BATTERY MODULES (SYBT5), PROVIDING UP TO 16kVA POWER. A FURTHER POWER MODULE (SYPM4KI) CAN BE PURCHASED SEPARATELY AND INSTALLED IN THE SYSTEM, PROVIDING REDUNDANCY.

THIS DRAWING AND SPECIFICATIONS HEREIN ARE THE PROPERTY OF SCHNEIDER ELECTRIC AND SHALL NOT BE COPIED, REPRODUCED OR USED IN WHOLE OR IN PART, AS THE BASIS FOR THE MANUFACTURE OR SALE OF ITEMS WITHOUT WRITTEN PERMISSION FROM SCHNEIDER ELECTRIC. THIS DRAWING IS BASED UPON LATEST AVAILABLE INFORMATION AND IS SUBJECT TO CHANGE WITHOUT NOTICE.



TITLE: SYMMETRA LX 16kVA TOWER  
INPUT: 220/230/240VAC (1φ+N+G) 50/60Hz  
OR 380/400/415VAC (3φ+N+G) 50/60Hz  
OUTPUT: 220/230/240VAC 50/60Hz  
INTERNAL VIEWS

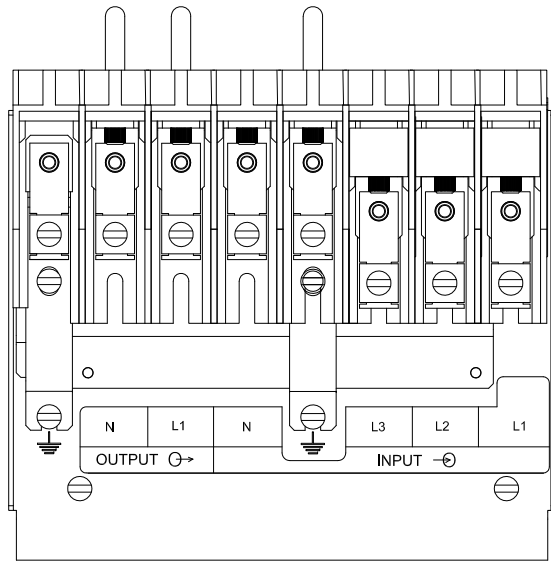
DWG NO: SYA16K16I-MM2 REV. 2

DRAWN: K NAGENDRA 06-JAN-09  
ENGINEER: K WHITE 06-JAN-09

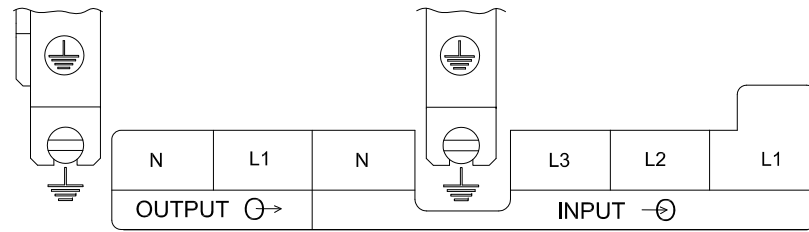
APPROVED: N WHITING 06-JAN-09

PROJECT: SUBMITTAL DRAWINGS SHEET 2 OF 3

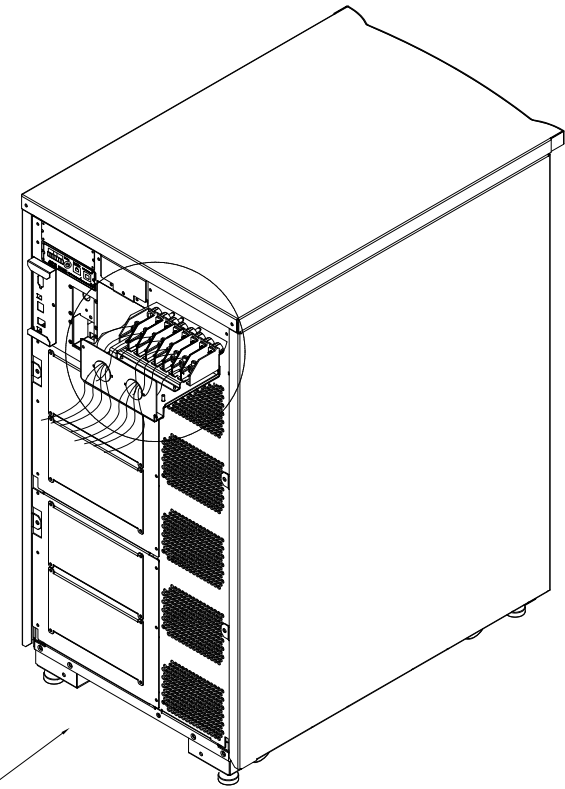
PROJ. ANGLE N/A



TOP VIEW (ENLARGED)  
INPUT/OUTPUT CONNECTIONS

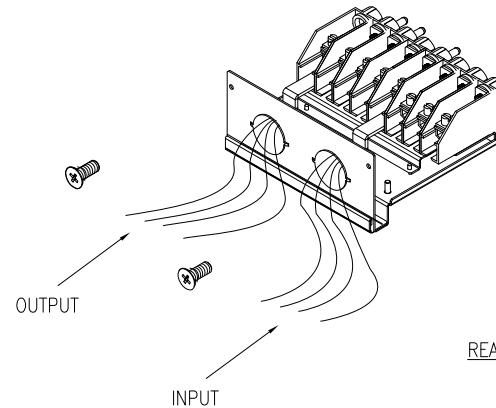


INPUT/OUTPUT CONNECTIONS



REAR VIEW

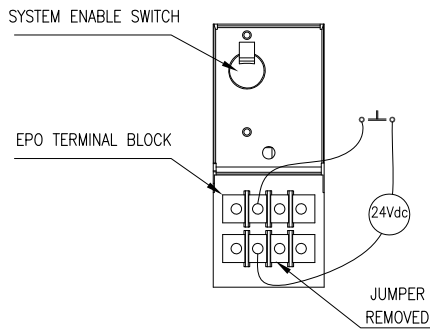
TOP VIEW  
INPUT/OUTPUT CONNECTIONS  
(REFER ENLARGED VIEW)



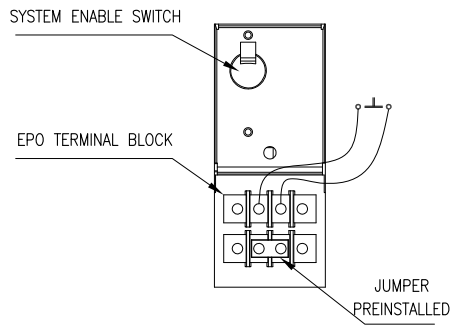
**NOTES:**

1. INSTALLATION MUST COMPLY WITH NATIONAL, STATE AND LOCAL ELECTRICAL REGULATIONS.
2. PLEASE REFER TO PRODUCT DOCUMENTATION FOR FURTHER INFORMATION.

IF REQUIRED: Connect the Remote Emergency Power Off (REPO) circuit on the UPS



IF INSTALLATION USES  
A SWITCH CONTACT  
AND A 24Vdc POWER SUPPLY  
EXTERNAL TO THE UPS



IF INSTALLATION USES  
SINGLE EXTERNAL  
SWITCH CONTACT.

THIS DRAWING AND SPECIFICATIONS HEREIN ARE THE PROPERTY OF SCHNEIDER ELECTRIC AND SHALL NOT BE COPIED, REPRODUCED OR USED IN WHOLE OR IN PART, AS THE BASIS FOR THE MANUFACTURE OR SALE OF ITEMS WITHOUT WRITTEN PERMISSION FROM SCHNEIDER ELECTRIC. THIS DRAWING IS BASED UPON LATEST AVAILABLE INFORMATION AND IS SUBJECT TO CHANGE WITHOUT NOTICE.



TITLE: SYMMETRA LX 16kVA TOWER  
INPUT: 220/230/230VAC (1φ+N+G) 50/60Hz  
OR 380/400/415VAC (3φ+N+G) 50/60Hz  
OUTPUT: 220/230/240VAC 50/60Hz  
INPUT/OUTPUT & EPO CONNECTIONS

PROJECT: SUBMITTAL DRAWINGS SHEET 3 OF 3

DWG NO: SYA16K16I-ME  
DRAWN: K NAGENDRA  
ENGINEER: K WHITE  
APPROVED: N WHITING

REV. 2  
06-JAN-09  
06-JAN-09  
06-JAN-09  
PROJ. ANGLE N/A