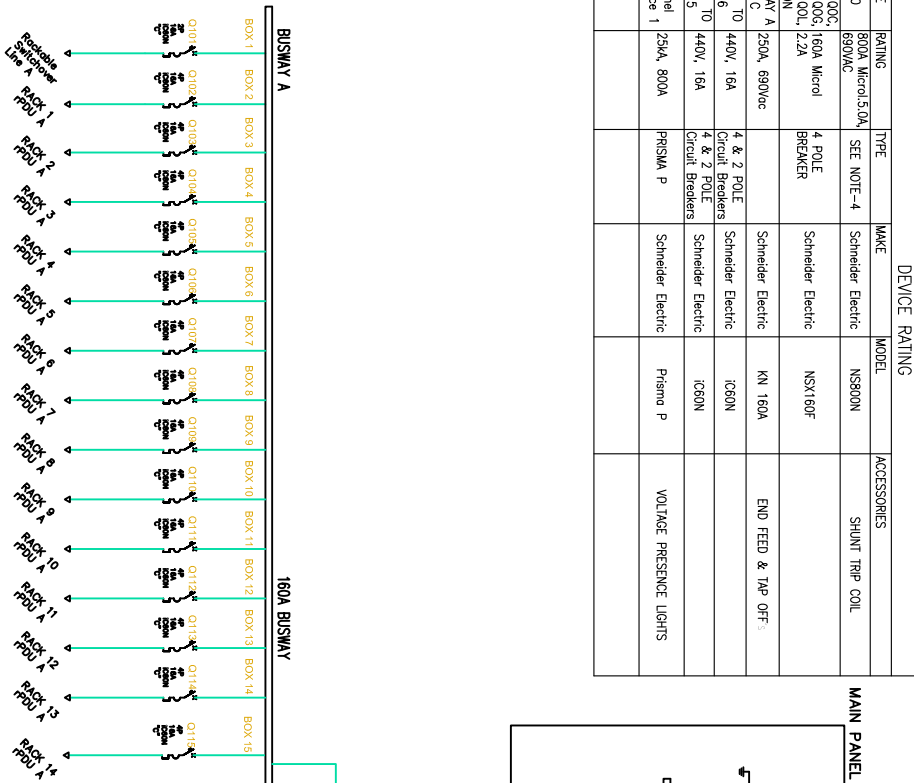


DEVICE RATING					
DEVICE	RATING	TYPE	MAKE	MODEL	ACCESSORIES
00	800A Micro 5.0A 690VAC	SEE NOTE-4	Schneider Electric	NS900N	SHUNT TRIP COIL
00A, 00C, 00E, 00G, 00I, 00L, 22A 00N	4 POLE BREAKER		Schneider Electric	NSX160F	
BUSWAY A & C	250A, 690VAC		Schneider Electric	KN 160A	END FEED & TAP OFF.
Q101 TO 116	4 & 2 POLE Circuit Breakers		Schneider Electric	IC80N	
Q301 TO 315	4 & 2 POLE Circuit Breakers		Schneider Electric	IC80N	
Panel Source 1	250A, 800A	PRISMA P	Schneider Electric	Prisma P	VOLTAGE PRESENCE LIGHTS



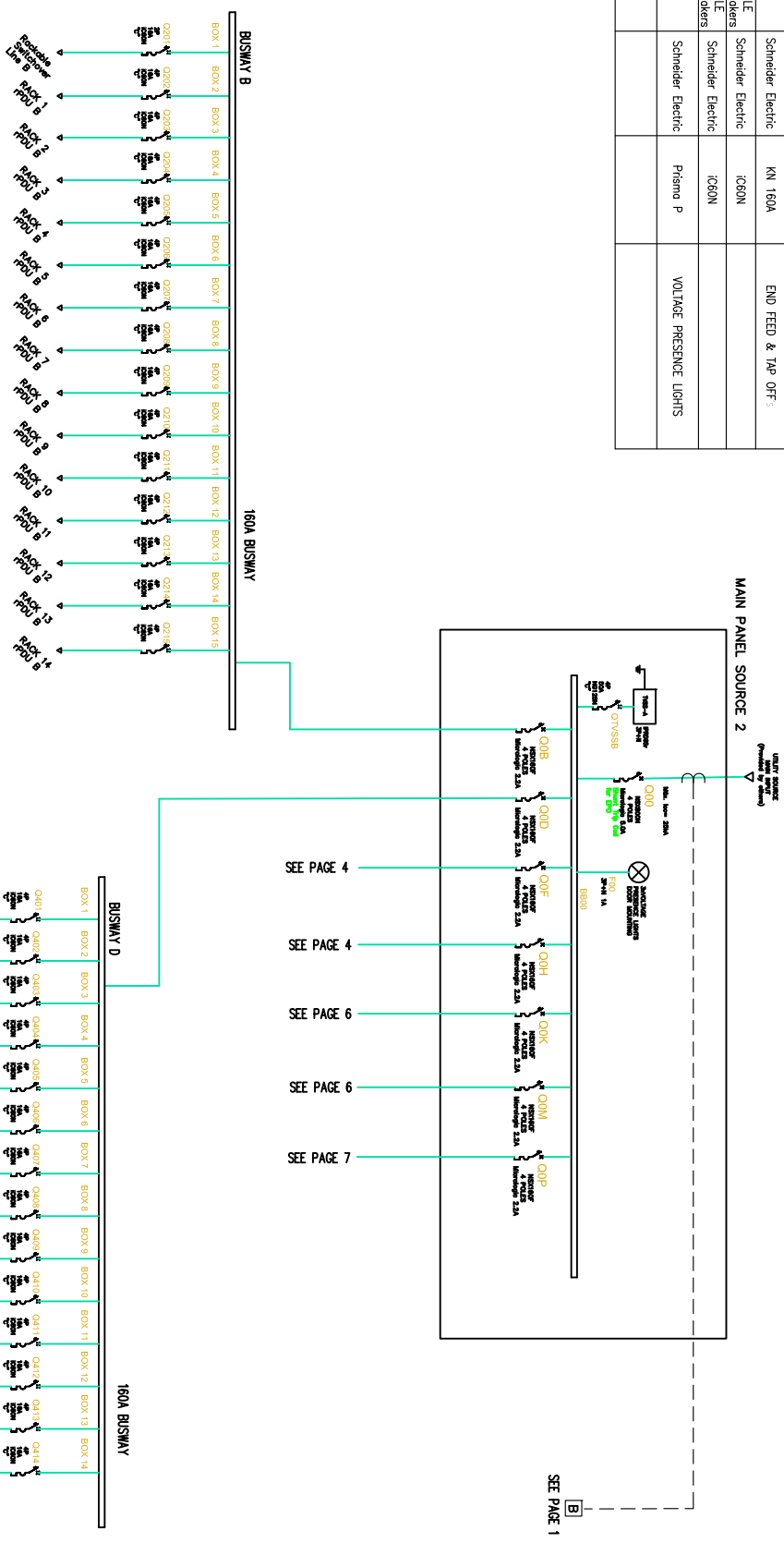
- NOTES:
1. INSTALLATION SHALL COMPLY WITH ALL APPLICABLE LOCAL AND NATIONAL CODES.
 2. PLEASE REFER TO PRODUCT MANUALS FOR ADDITIONAL DETAILS.
 3. DRAWING DEPICTS POWER SYSTEM CONNECTIONS AND IS NOT REPRESENTATIVE OF PHYSICAL LAYOUT, PLEASE REFER TO MECHANICAL DRAWINGS FOR PHYSICAL LAYOUT.
 4. TN-S GROUNDING SYSTEM. 400/230VAC. THIS DRAWING IS REPRESENTATIVE FOR NATIONAL CODES IN WHICH IT IS MANDATORY NEUTRAL PROTECTION. (CONTACT SCHNEIDER ELECTRIC IF OTHER).
AC SOURCE TO BE 400VAC 3PH 3 WIRE+NEUTRAL+GROUND. (CONTACT SCHNEIDER ELECTRIC IF OTHER).
CABLING COLOUR CODE: L1= BROWN, L2=BLACK, L3=GREY, N=BLUE, GND=YELLOW/GREEN STRIP
 5. MAXIMUM AVAILABLE FAULT CURRENT IS 25KAC AT ENTRANCE POINT.
 6. ALL AC POWER CABLING TO BE 1000V RATED
 7. RACK FRAME AND SKINS ARE ELECTRICALLY CONNECTED AND TIED TO CHASSIS GROUND.
 8. THE GROUNDING ELECTRODE CONDUCTOR IS PROVIDED BY OTHERS.
 9. QUALITY OF ENERGY SUPPLIED BY OTHERS SHALL COMPLY WITH EN-50160 REQUIREMENTS.
 10. STANDARD FOR CABLING CALCULATION REGARDING IEC 364

THIS DRAWING AND SPECIFICATIONS HEREIN ARE THE PROPERTY OF SCHNEIDER ELECTRIC AND SHALL NOT BE COPIED, REPRODUCED OR USED IN WHOLE OR IN PART AS THE BASIS FOR THE MANUFACTURE OR SALE OF ITEMS WITHOUT WRITTEN PERMISSION FROM SCHNEIDER ELECTRIC. THIS DRAWING IS BASED UPON LATEST AVAILABLE INFORMATION AND IS SUBJECT TO CHANGE WITHOUT NOTICE.

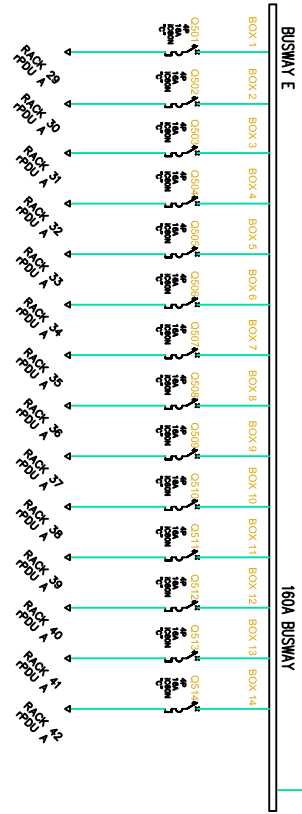
Schneider Electric

TITLE:	MODULAR DATACENTER INFRASTRUCTURE 500kW BUSWAY CRAC EMEA SCHNEIDER ELECTRIC IT MODULE SYSTEM ONLINE DIAGRAM	DWG NO:	PFMEIG500C2E098B	REV:	02
PROJECT:	500kW CRAC BUSWAY EMEA	DRAWN:	M. UHRHAN	DATE:	14 JUL 15
SHEET:	1 OF 8	ENGINEER:	M. UHRHAN	DATE:	14 JUL 15
		APPROVED:	M. UHRHAN	DATE:	18 MAR 16

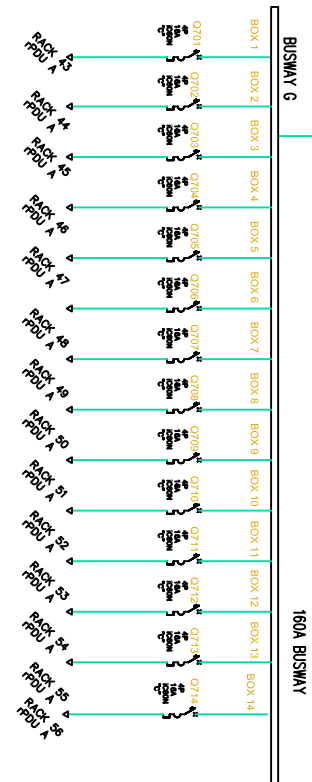
DEVICE RATING					
DEVICE	RATING	TYPE	MAKE	MODEL	ACCESSORIES
000	BOA Micrologic 5.0A, 690VAC	SEE NOTE-4	Schneider Electric	NS800N	SHUNT TRIP COIL
00B, 00C, 00F, 00H, 160A Micrologic 00K, 00M, 22A 00P	160A Micrologic	4 Pole Breaker	Schneider Electric	NSX160F	
BUSBAR B & D	160A, 690V/AC	4 & 2 POLE Circuit Breakers	Schneider Electric	KN 160A	END FEED & TAP OFF.
0201 T0 216 415	440V, 16A	4 & 2 POLE Circuit Breakers	Schneider Electric	IC60N	
Panel Source 2	25kA, 800A	PRISMA P	Schneider Electric	Prisma P	VOLTAGE PRESENCE LIGHTS



- NOTES:
1. INSTALLATION SHALL COMPLY WITH ALL APPLICABLE LOCAL AND NATIONAL CODES.
 2. PLEASE REFER TO PRODUCT MANUALS FOR ADDITIONAL DETAILS.
 3. DRAWING DEPICTS POWER SYSTEM CONNECTIONS AND IS NOT REPRESENTATIVE OF PHYSICAL LAYOUT. PLEASE REFER TO MECHANICAL DRAWINGS FOR PHYSICAL LAYOUT.
 4. TN-S GROUNDING SYSTEM. 400/230VAC. THIS DRAWING IS REPRESENTATIVE FOR NATIONAL CODES IN WHICH IT IS MANDATORY NEUTRAL PROTECTION. (CONTACT SCHNEIDER ELECTRIC IF OTHER). AC SOURCE TO BE 400VAC 3PH 3 WIRE+NEUTRAL+GROUND. (CONTACT SCHNEIDER ELECTRIC IF OTHER). CABLING COLOUR CODE: L1= BROWN, L2=BLACK, L3=GREY, N=BLUE, GND=YELLOW/GREEN STRIP
 5. MAXIMUM AVAILABLE FAULT CURRENT IS 25KAC AT ENTRANCE POINT.
 6. ALL AC POWER CABLING TO BE 1000V RATED
 7. RACK FRAME AND SKINS ARE ELECTRICALLY CONNECTED AND TIED TO CHASSIS GROUND.
 8. THE GROUNDING ELECTRODE CONDUCTOR IS PROVIDED BY OTHERS.
 9. QUALITY OF ENERGY SUPPLIED BY OTHERS SHALL COMPLY WITH EN-50160 REQUIREMENTS.
 10. STANDARD FOR CABLING CALCULATION REGARDING IEC 364



FROM PAGE 1

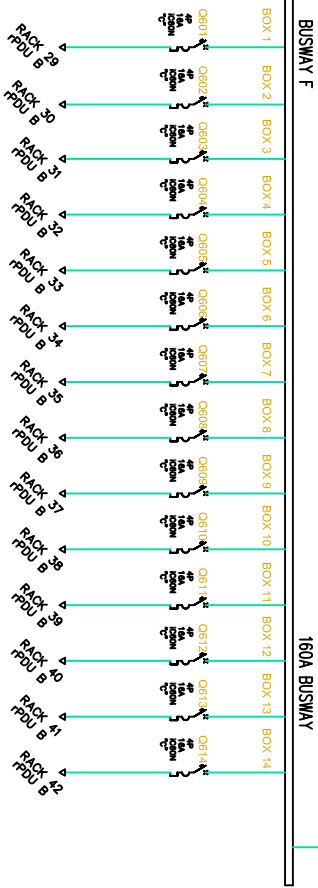


FROM PAGE 1

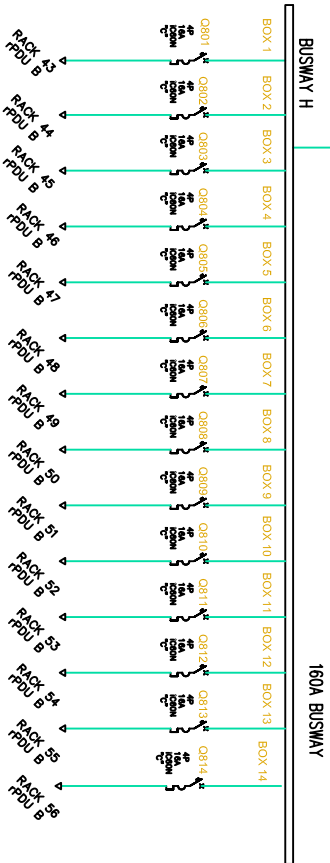
THIS DRAWING AND SPECIFICATIONS HEREIN ARE THE PROPERTY OF SCHNEIDER ELECTRIC AND SHALL NOT BE COPIED, REPRODUCED OR USED IN WHOLE OR IN PART AS THE BASIS FOR THE MANUFACTURE OR SALE OF ITEMS WITHOUT WRITTEN PERMISSION FROM SCHNEIDER ELECTRIC. THIS DRAWING IS BASED UPON LATEST AVAILABLE INFORMATION AND IS SUBJECT TO CHANGE WITHOUT NOTICE.



TITLE:	MODULAR DATACENTER INFRASTRUCTURE 500kW CRAQ BUSWAY EMEA SCHNEIDER ELECTRIC IT MODULE SYSTEM ONE LINE DIAGRAM
PROJECT:	500kW CRAQ BUSWAY EMEA
SHEET:	3 OF 8
DWG NO.:	PFMIEG500C2E098B
REV:	02
DRAWN:	M. UHRMAN
ENGINEER:	M. UHRMAN
APPROVED:	M. UHRMAN
DATE:	14 JUL 15
DATE:	14 JUL 15
DATE:	18 MAR 16
PROJECTION:	ANGLE
PROJECTION:	N.A.



FROM PAGE 2

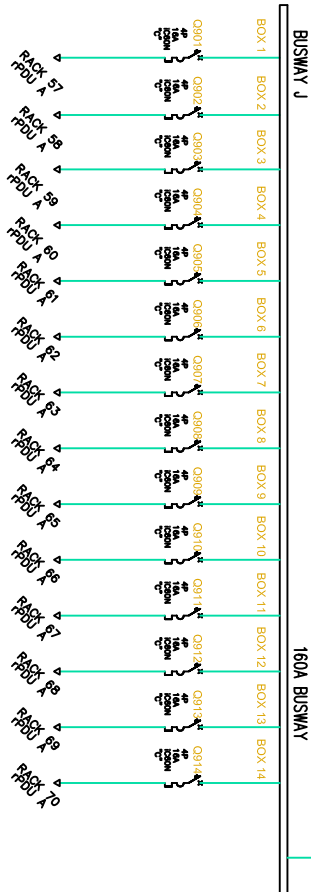


FROM PAGE 2

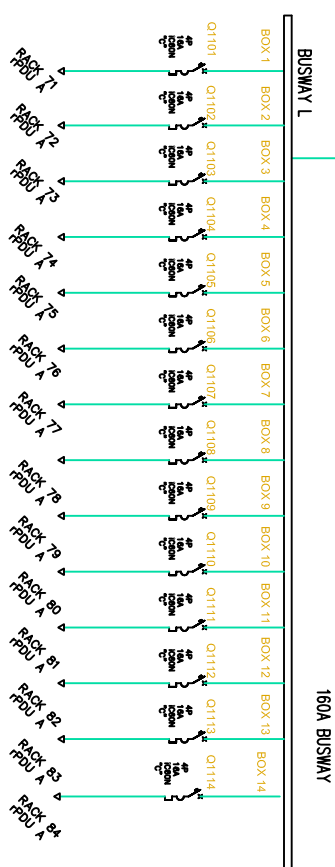
THIS DRAWING AND SPECIFICATIONS HEREIN ARE THE PROPERTY OF SCHNEIDER ELECTRIC AND SHALL NOT BE COPIED, REPRODUCED OR USED IN WHOLE OR IN PART AS THE BASIS FOR THE MANUFACTURE OR SALE OF ITEMS WITHOUT WRITTEN PERMISSION FROM SCHNEIDER ELECTRIC. THIS DRAWING IS BASED UPON LATEST AVAILABLE INFORMATION AND IS SUBJECT TO CHANGE WITHOUT NOTICE.



TITLE:	MODULAR DATACENTER INFRASTRUCTURE 500kW CRAQ BUSWAY SYSTEM ONE LINE DIAGRAM	DWG NO:	PFMIEG500C2E098B	REV:	02
PROJECT:	500kW CRAQ BUSWAY DMEA	SHEET:	4 OF 8	DRAWN:	M. UHRMAN
				ENGINEER:	M. UHRMAN
				APPROVED:	M. UHRMAN
					14 JUL 15
					14 JUL 15
					18 MAR 16
					N.A.



FROM PAGE 1

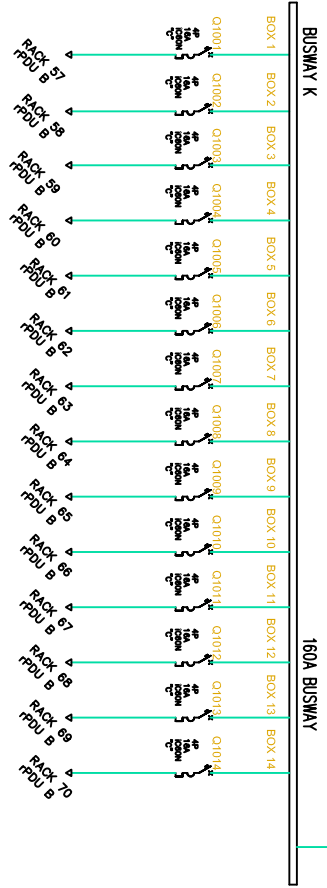


FROM PAGE 1

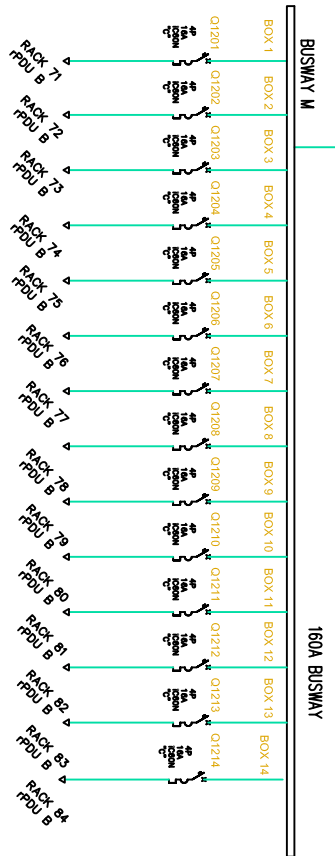
THIS DRAWING AND SPECIFICATIONS HEREIN ARE THE PROPERTY OF SCHNEIDER ELECTRIC AND SHALL NOT BE COPIED, REPRODUCED OR USED IN WHOLE OR IN PART AS THE BASIS FOR THE MANUFACTURE OR SALE OF ITEMS WITHOUT WRITTEN PERMISSION FROM SCHNEIDER ELECTRIC. THIS DRAWING IS BASED UPON LATEST AVAILABLE INFORMATION AND IS SUBJECT TO CHANGE WITHOUT NOTICE.



TITLE:	MODULAR DATACENTER INFRASTRUCTURE 5000W CRAQ BUSWAY EMEA SCHNEIDER ELECTRIC IT MODULE SYSTEM ONE LINE DIAGRAM	DWG NO:	PFMIEG500C2E098B	REV:	02
PROJECT:	5000W CRAQ BUSWAY EMEA	SHEET:	5 OF 8	DRAWN:	M. UHRMAN
				ENGINEER:	M. UHRMAN
				APPROVED:	M. UHRMAN
					14 JUL 15
					14 JUL 15
					18 MAR 16
					N.A.



FROM PAGE 2

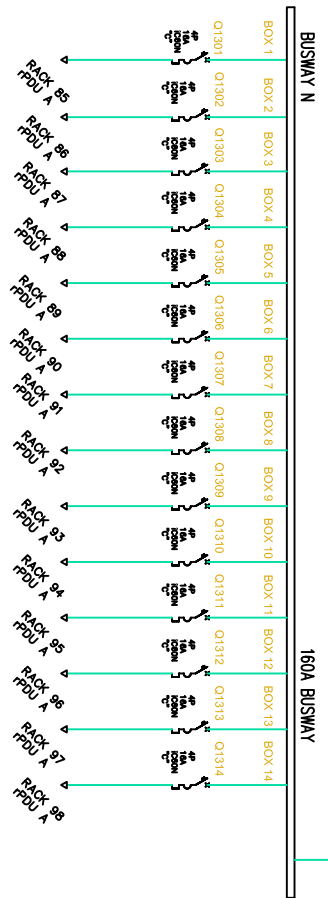


FROM PAGE 2

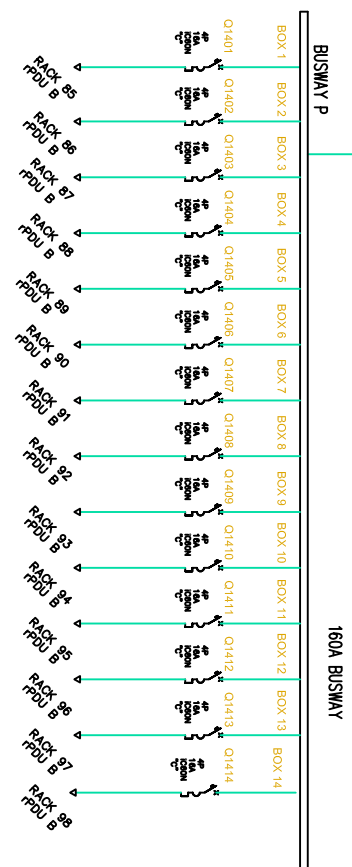
THIS DRAWING AND SPECIFICATIONS HEREIN ARE THE PROPERTY OF SCHNEIDER ELECTRIC AND SHALL NOT BE COPIED, REPRODUCED OR USED IN WHOLE OR IN PART AS THE BASIS FOR THE MANUFACTURE OR SALE OF ITEMS WITHOUT WRITTEN PERMISSION FROM SCHNEIDER ELECTRIC. THIS DRAWING IS BASED UPON LATEST AVAILABLE INFORMATION AND IS SUBJECT TO CHANGE WITHOUT NOTICE.



TITLE:	MODULAR DATACENTER INFRASTRUCTURE 500kW CRAQ BUSWAY EMEA SCHNEIDER ELECTRIC IT MODULE SYSTEM ONE LINE DIAGRAM	DWG NO:	PMIEG500C2E098B	REV:	02
PROJECT:	500kW CRAQ BUSWAY EMEA	SHEET:	6 OF 8	DRAWN:	M. UHRMAN
				ENGINEER:	M. UHRMAN
				APPROVED:	M. UHRMAN
					14 JUL 15
					14 JUL 15
					18 MAR 16
					N.A.



FROM PAGE 1



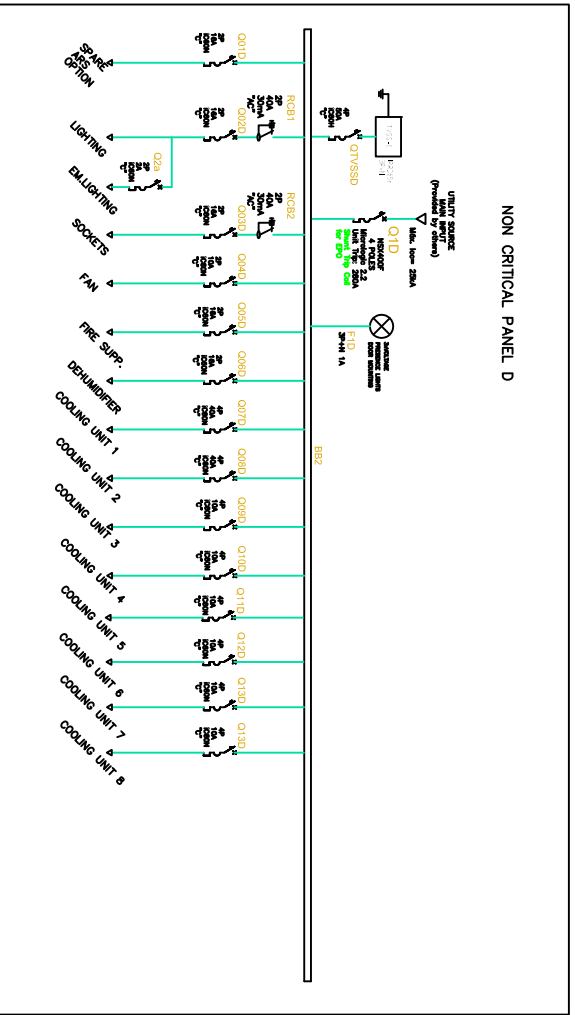
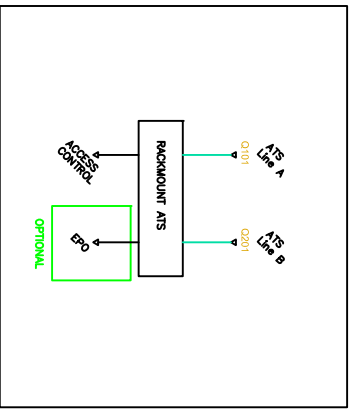
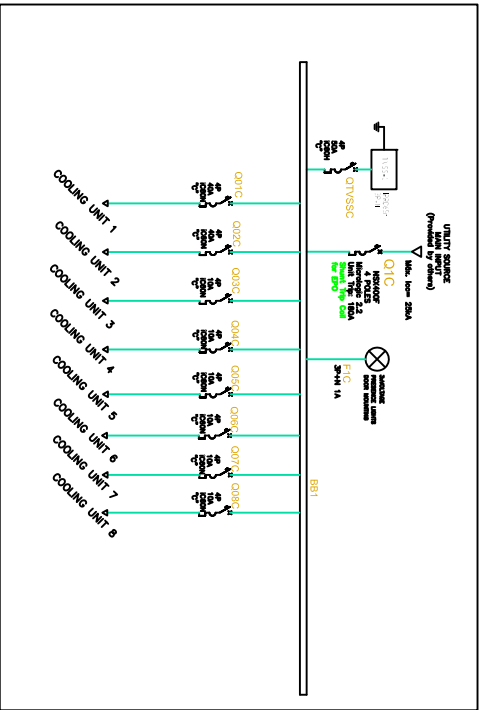
FROM PAGE 2

THIS DRAWING AND SPECIFICATIONS HEREIN ARE THE PROPERTY OF SCHNEIDER ELECTRIC AND SHALL NOT BE COPIED, REPRODUCED OR USED IN WHOLE OR IN PART AS THE BASIS FOR THE MANUFACTURE OR SALE OF ITEMS WITHOUT WRITTEN PERMISSION FROM SCHNEIDER ELECTRIC. THIS DRAWING IS BASED UPON LATEST AVAILABLE INFORMATION AND IS SUBJECT TO CHANGE WITHOUT NOTICE.



TITLE:	MODULAR DATACENTER INFRASTRUCTURE 500kW BUSWAY CPAC EMEA SCHNEIDER ELECTRIC IT MODULE SYSTEM ONE LINE DIAGRAM
DWG NO.:	PFMIEG500C2E098B
REV:	02
DRAWN:	M. UHRHAN
ENGINEER:	M. UHRHAN
PROJECT:	500kW CPAC BUSWAY EMEA
SHEET:	7 OF 8
APPROVED:	M. UHRHAN
DATE:	14 JUL 15
DATE:	14 JUL 15
DATE:	18 MAR 16
PROJECTION:	ANGLE
PROJECTION:	N.A.

DEVICE RATING					
DEVICE	RATING	TYPE	MAKE	MODEL	ACCESSORIES
01C, 01D	400A Micro12.2, 690VAC	SEE NOTE-4	Schneider Electric	NSX400F	SHUNT TRIP COIL
001C TO 006C, 001D TO 013D	440V, 18A	2 POLE Circuit Breakers	Schneider Electric	IC80N	
RCB1 & RCB2	400V, 40A 30mA	2 Pole RCB	Schneider Electric	ID	
Non Critical Panel	250A, 630A	PRISMA P	Schneider Electric	Primo P	VOLTAGE PRESENCE LIGHTS



- NOTES:**
1. INSTALLATION SHALL COMPLY WITH ALL APPLICABLE LOCAL AND NATIONAL CODES.
 2. PLEASE REFER TO PRODUCT MANUALS FOR ADDITIONAL DETAILS.
 3. DRAWING DEPICTS POWER SYSTEM CONNECTIONS AND IS NOT REPRESENTATIVE OF PHYSICAL LAYOUT. PLEASE REFER TO MECHANICAL DRAWINGS FOR PHYSICAL LAYOUT.
 4. TN-S GROUNDING SYSTEM. 400/230Vdc. THIS DRAWING IS REPRESENTATIVE FOR NATIONAL CODES IN WHICH IT IS MANDATORY NEUTRAL PROTECTION. (CONTACT SCHNEIDER ELECTRIC IF OTHER).
 5. AC SOURCE TO BE 400VAC 3PH 3 WIRE-NEUTRAL+GROUND. (CONTACT SCHNEIDER ELECTRIC IF OTHER).
 6. MAXIMUM AVAILABLE FAULT CURRENT IS 25kA AT ENTRANCE POINT.
 7. ALL AC POWER CABLING TO BE 1000V RATED.
 8. RACK FRAME AND SKINS ARE ELECTRICALLY CONNECTED AND TIED TO CHASSIS GROUND.
 9. THE GROUNDING ELECTRODE CONDUCTOR IS PROVIDED BY OTHERS.
 10. QUALITY OF ENERGY SUPPLIED BY OTHERS SHALL COMPLY WITH EN-50160 REQUIREMENTS.
 10. STANDARD FOR CABLING CALCULATION REGARDING IEC 364

THIS DRAWING AND SPECIFICATIONS HEREIN ARE THE PROPERTY OF SCHNEIDER ELECTRIC AND SHALL NOT BE COPIED, REPRODUCED OR USED IN WHOLE OR IN PART AS THE BASIS FOR THE MANUFACTURE OR SALE OF ITEMS WITHOUT WRITTEN PERMISSION FROM SCHNEIDER ELECTRIC. THIS DRAWING IS BASED UPON LATEST AVAILABLE INFORMATION AND IS SUBJECT TO CHANGE WITHOUT NOTICE.



TITLE:	MODULAR DATACENTER INFRASTRUCTURE SCHNEIDER ELECTRIC IT MODULE SYSTEM ONLINE DIAGRAM	DWG NO:	PFMIEG500C2E098B	REV:	02
PROJECT:	500MW CRAC BUSWAY DEMA	DRAWN:	M. UHRMAN	DATE:	14 JUL 15
SHEET:	8 OF 8	ENGINEER:	M. UHRMAN	DATE:	14 JUL 15
		APPROVED:	M. UHRMAN	DATE:	18 MAR 16
				PROJECTION:	N.A.