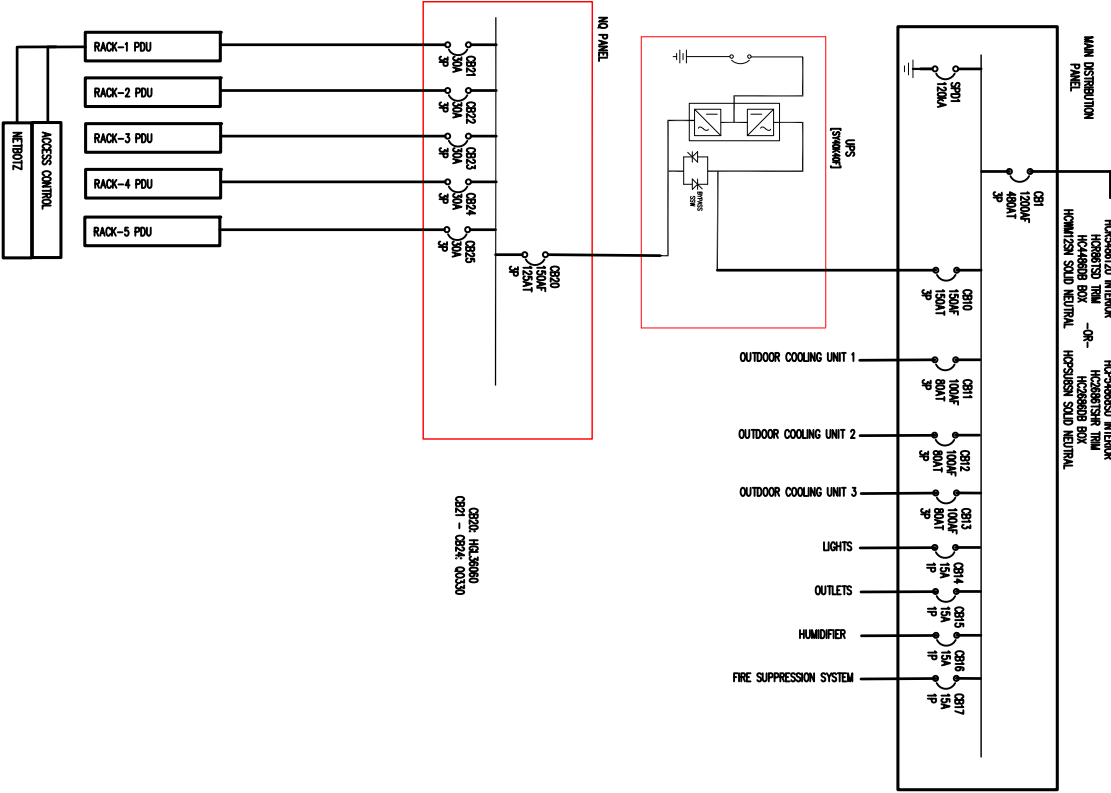
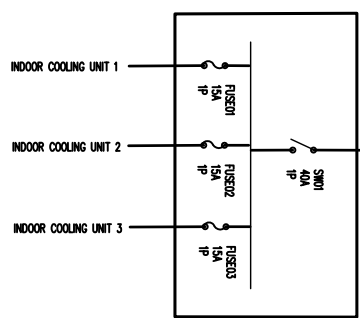


SOURCE #1	
UTILITY	208V-3PH-4WITZ-3W44+G
MINIMUM CIRCUIT CAPACITY	320 AMPS
MAXIMUM VOLTAGE DROP	2 %
AFC AT POINT OF CONTAINER ENTRANCE	65 KVA



SOURCE #2	
UTILITY	208/230V-3PH-4WITZ-3W44+G
MINIMUM CIRCUIT CAPACITY	25 AMPS
MAXIMUM VOLTAGE DROP	2 %
AFC AT POINT OF CONTAINER ENTRANCE	65 KVA



THIS DRAWING AND SPECIFICATIONS HEREIN ARE THE PROPERTY OF SCHNEIDER ELECTRIC AND SHALL NOT BE COPIED, REPRODUCED OR USED IN WHOLE OR IN PART AS THE BASIS FOR THE MANUFACTURE OR SALE OF ITEMS WITHOUT WRITTEN PERMISSION FROM SCHNEIDER ELECTRIC. THIS DRAWING IS BASED UPON LATEST AVAILABLE INFORMATION AND IS SUBJECT TO CHANGE WITHOUT NOTICE.



TITLE:	MODULAR DATACENTER INFRASTRUCTURE 320W ISO NAM SCHNEIDER ELECTRIC IT MODULE SYSTEM ONE LINE DIAGRAM	DWG NO.:	PFM1CP032F1N05D	REV:	01
PROJECT:	320W ISO NAM	SHEET:	1 OF 1	DRAWN:	M. UHRMAN
				ENGINEER:	M. UHRMAN
				APPROVED:	M. UHRMAN
					11 AUG 15
					11 AUG 15
					13 AUG 15
					ANGLE PROJECTION
					N.A.