

- NOTES:**
1. INSTALLATION SHALL COMPLY WITH ALL APPLICABLE NATIONAL, STATE AND LOCAL ELECTRICAL REGULATIONS.
 2. REFER TO PRODUCT DOCUMENTATION FOR ADDITIONAL DETAILS PRIOR TO INSTALLATION AND SITE PREPARATION WORK.
 3. UNLESS OTHERWISE SPECIFIED, ALL DIMENSIONS ARE IN INCHES [MILLIMETERS].
 4. CABLE ENTRY IS TOP AND BOTTOM OF UNIT.
 5. FRONT AND REAR SERVICE ACCESS
 6. NET WEIGHT OF UNIT IS 432 LBS [196 kg]
 7. MAIN VX NetShelter IS SHIPPED WITH BOTH SIDE PANELS. ONE OF SIDE PANELS MAY BE EASILY REINSTALLED ON VX EXPANSION UNIT IF NEEDED.
 8. CABLE TROUGH AND PARTITIONS ARE NOT PART OF THE SKU
 9. REFER TO DRAWING NSH-TIL FOR TYPICAL EXAMPLE OF INTERNAL NETSHELTER LAYOUT.

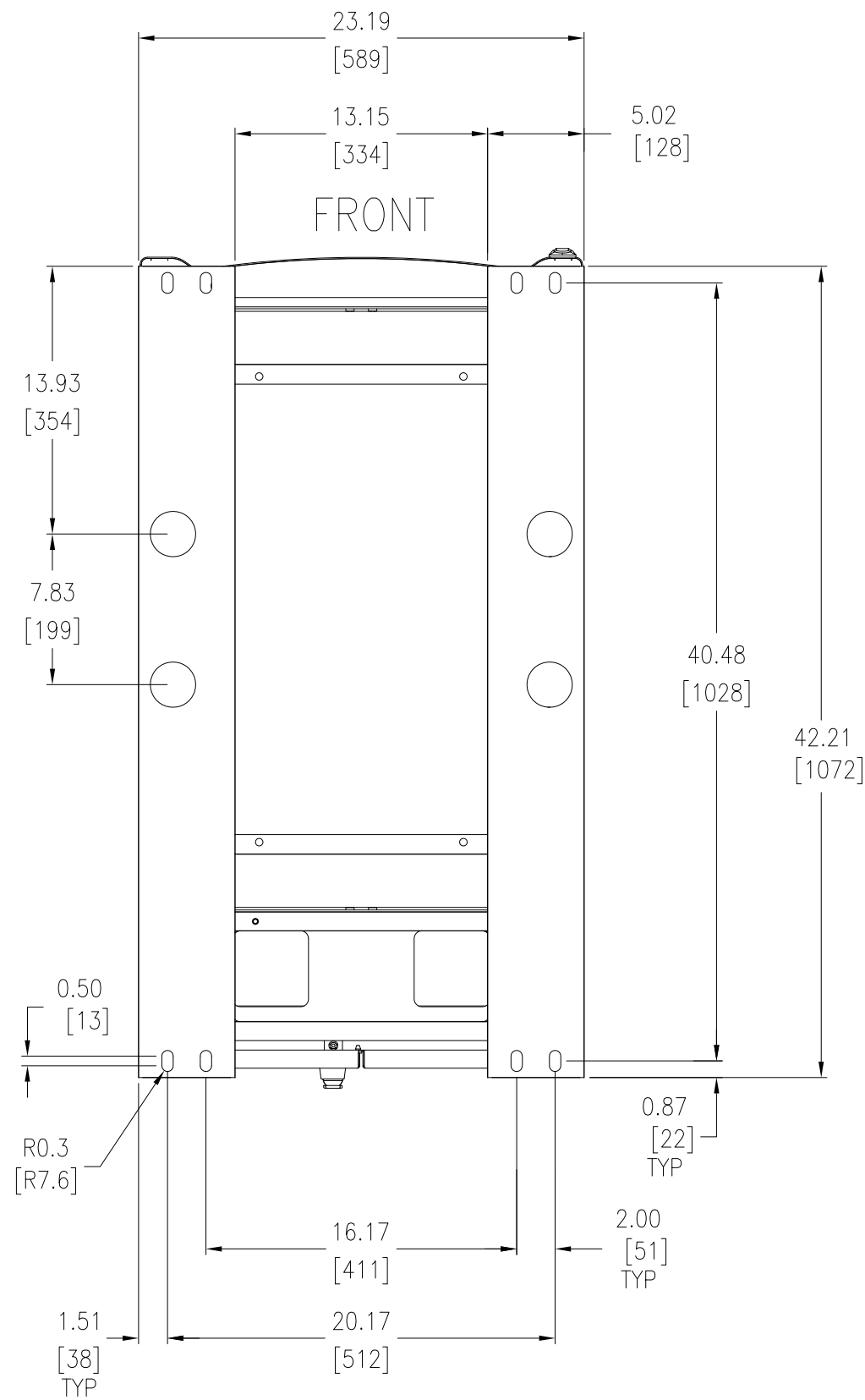
THIS DRAWING AND SPECIFICATIONS HEREIN ARE THE PROPERTY OF SCHNEIDER ELECTRIC AND SHALL NOT BE COPIED, REPRODUCED OR USED IN WHOLE OR IN PART, AS THE BASIS FOR THE MANUFACTURE OR SALE OF ITEMS WITHOUT WRITTEN PERMISSION FROM SCHNEIDER ELECTRIC. THIS DRAWING IS BASED UPON LATEST AVAILABLE INFORMATION AND IS SUBJECT TO CHANGE WITHOUT NOTICE.



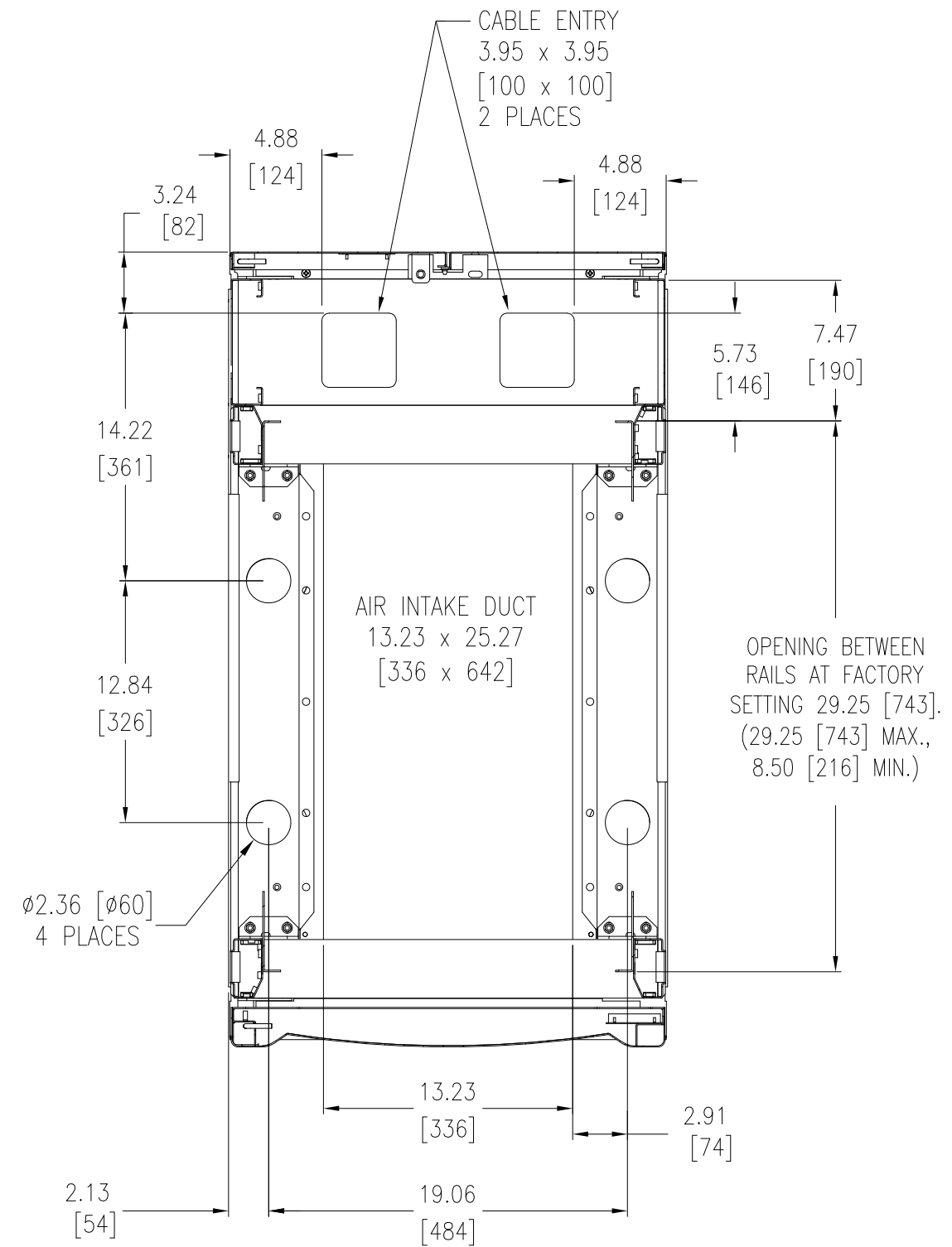
TITLE: NETSHELTER VX, SEISMIC, 42U ENCLOSURE WITHOUT SIDES, 24Wx42D GENERAL ARRANGEMENT
 PROJECT: STD SUBMITTAL DRAWINGS SHEET 1 OF 2

DWG NO: AR2145BLK
 DRAWN: JAYAPRAKASH 20-OCT-16
 ENGINEER: J MATTLIN 20-OCT-16
 APPROVED: R HANSEN/E SILVA 20-OCT-16

REV. 3
 THIRD ANGLE PROJ



BOTTOM VIEW
(ANCHORING DETAILS)



SECTION B-B (ENLARGED)
(VIEW FROM INSIDE CABINET, LOOKING DOWN)

NOTES:

1. INSTALLATION SHALL COMPLY WITH ALL APPLICABLE NATIONAL, STATE AND LOCAL ELECTRICAL REGULATIONS.
2. REFER TO PRODUCT DOCUMENTATION FOR ADDITIONAL DETAILS PRIOR TO INSTALLATION AND SITE PREPARATION WORK.
3. UNLESS OTHERWISE SPECIFIED, ALL DIMENSIONS ARE IN INCHES [MILLIMETERS].

THIS DRAWING AND SPECIFICATIONS HEREIN ARE THE PROPERTY OF SCHNEIDER ELECTRIC AND SHALL NOT BE COPIED, REPRODUCED OR USED IN WHOLE OR IN PART, AS THE BASIS FOR THE MANUFACTURE OR SALE OF ITEMS WITHOUT WRITTEN PERMISSION FROM SCHNEIDER ELECTRIC. THIS DRAWING IS BASED UPON LATEST AVAILABLE INFORMATION AND IS SUBJECT TO CHANGE WITHOUT NOTICE.



TITLE:
NETSHELTER VX, SEISMIC, 42U
ENCLOSURE WITHOUT SIDES, 24Wx42D
BOTTOM VIEWS

PROJECT: STD SUBMITTAL DRAWINGS SHEET 2 OF 2

DWG NO: AR2145BLK

DRAWN: JAYAPRAKASH 20-OCT-16

ENGINEER: J MATTUN/J KUMMER/B MITCHELL 20-OCT-16

APPROVED: S VOCCIO/B MITCHELL 20-OCT-16

REV 5

THIRD

ANGLE

PROJ