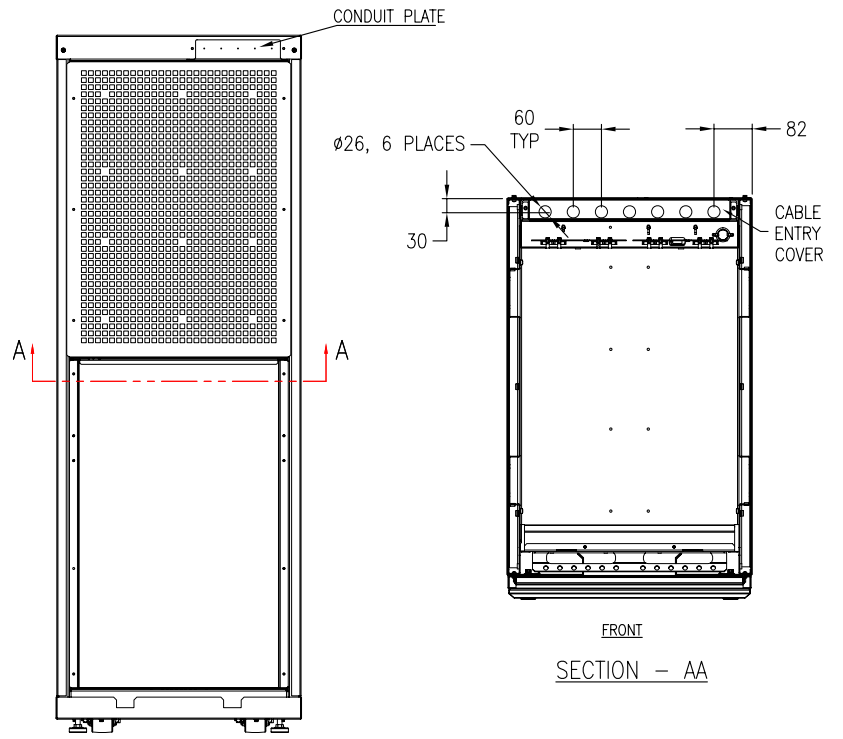


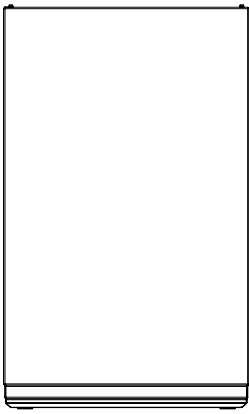
FRONT VIEW

SIDE VIEW



REAR VIEW

FRONT
SECTION - AA



TOP VIEW

SKU NUMBER	NET WEIGHT IN kg
G35T10KHS	259
G35T15KHS	259
G35T20KHS	259
G35T30KHS	294
G35T40KHS	294

- NOTES:**
- INSTALLATION SHALL COMPLY WITH ALL APPLICABLE NATIONAL AND LOCAL ELECTRICAL REGULATIONS.
 - PLEASE REFER TO PRODUCT MANUALS FOR ADDITIONAL DETAILS.
 - ALL DIMENSIONS ARE IN MILLIMETERS UNLESS OTHERWISE SPECIFIED.
 - CABLE ENTRY IS REAR OF UNIT. SEE UNIT WITH OPTIONAL CONDUIT BOX ON SHEET-2.
 - FRONT AND REAR SERVICE CLEARANCE, TOP COOLING CLEARANCE REQUIRED.
 - USE FLEXIBLE CONDUIT WITH SUFFICIENT LENGTH TO ALLOW THE UNIT TO BE MOVED OUT FOR SERVICE.
 - COLOR: GREY METALLIC.
 - OPERATING TEMPERATURE: 0°C MIN. TO 40°C MAX.
RECOMMENDED OPERATING RANGE: 15°C TO 25°C.
 - FOR RUNTIME DETAILS PLEASE REFER TO DRAWING: G35T10K40HW

THIS DRAWING AND SPECIFICATIONS HEREIN ARE THE PROPERTY OF SCHNEIDER ELECTRIC AND SHALL NOT BE COPIED, REPRODUCED OR USED IN WHOLE OR IN PART, AS THE BASIS FOR THE MANUFACTURE OR SALE OF ITEMS WITHOUT WRITTEN PERMISSION FROM SCHNEIDER ELECTRIC. THIS DRAWING IS BASED UPON LATEST AVAILABLE INFORMATION AND IS SUBJECT TO CHANGE WITHOUT NOTICE.

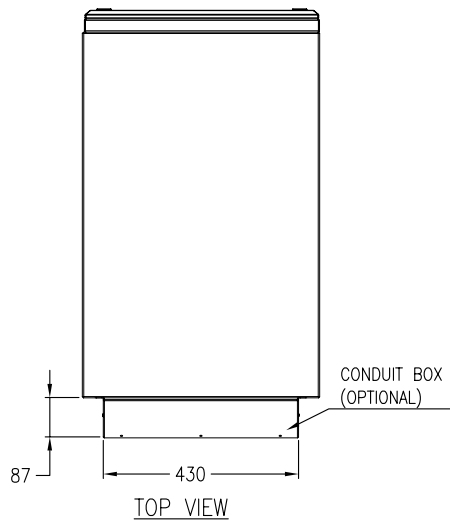
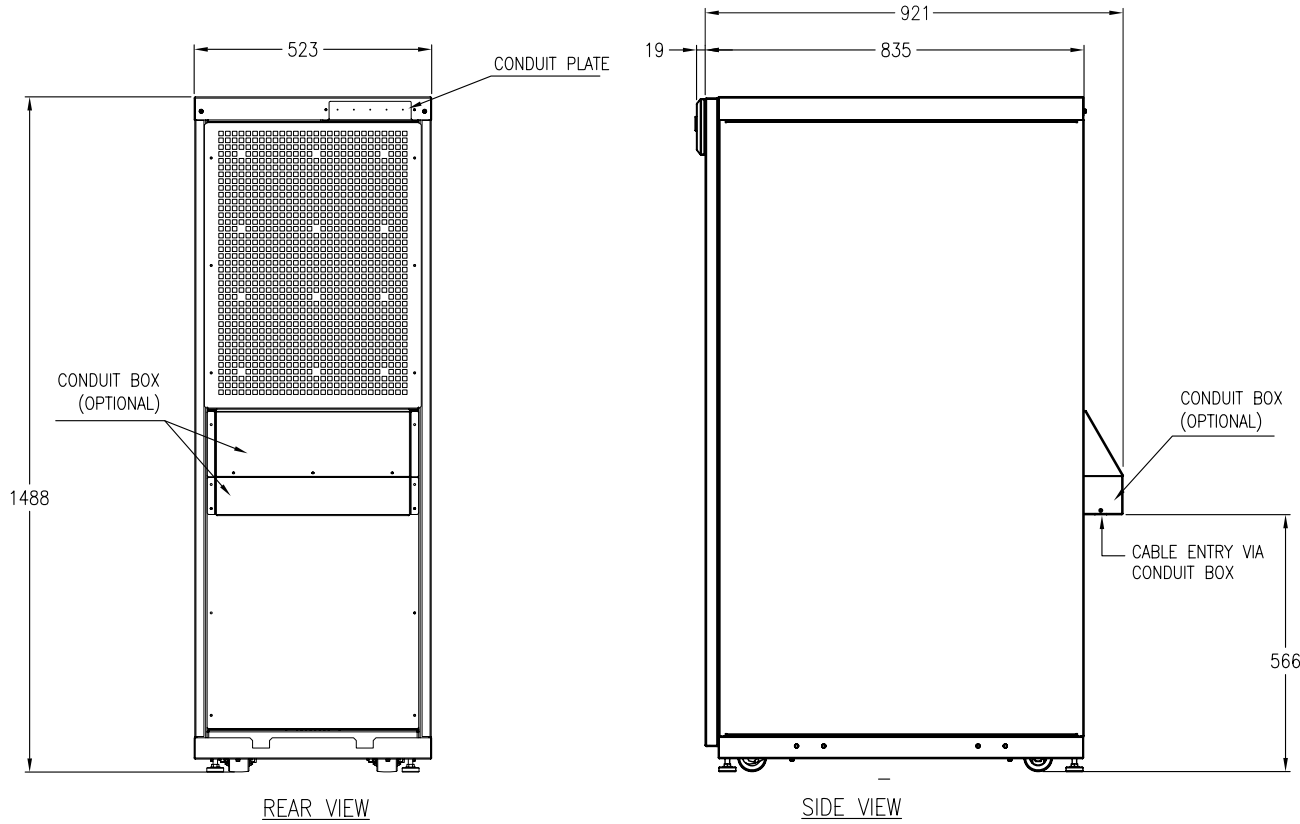


TITLE: MGE GALAXY 3500 WIDE TOWER
10 TO 40kVA, 400V, 3PH
WITHOUT BATTERY MODULES, INT MAINT BYPASS
MAIN MECHANICAL
PROJECT: SUBMITTAL DRAWINGS SHEET 1 OF 7

DWG NO: G35T10K40HS
DRAWN: JAYAPRAKASH
ENGINEER: T.MULLER
APPROVED: C.LARSEN

REV. 1
FIRST ANGLE PROJECTION

UNIT WITH OPTIONAL CONDUIT BOX



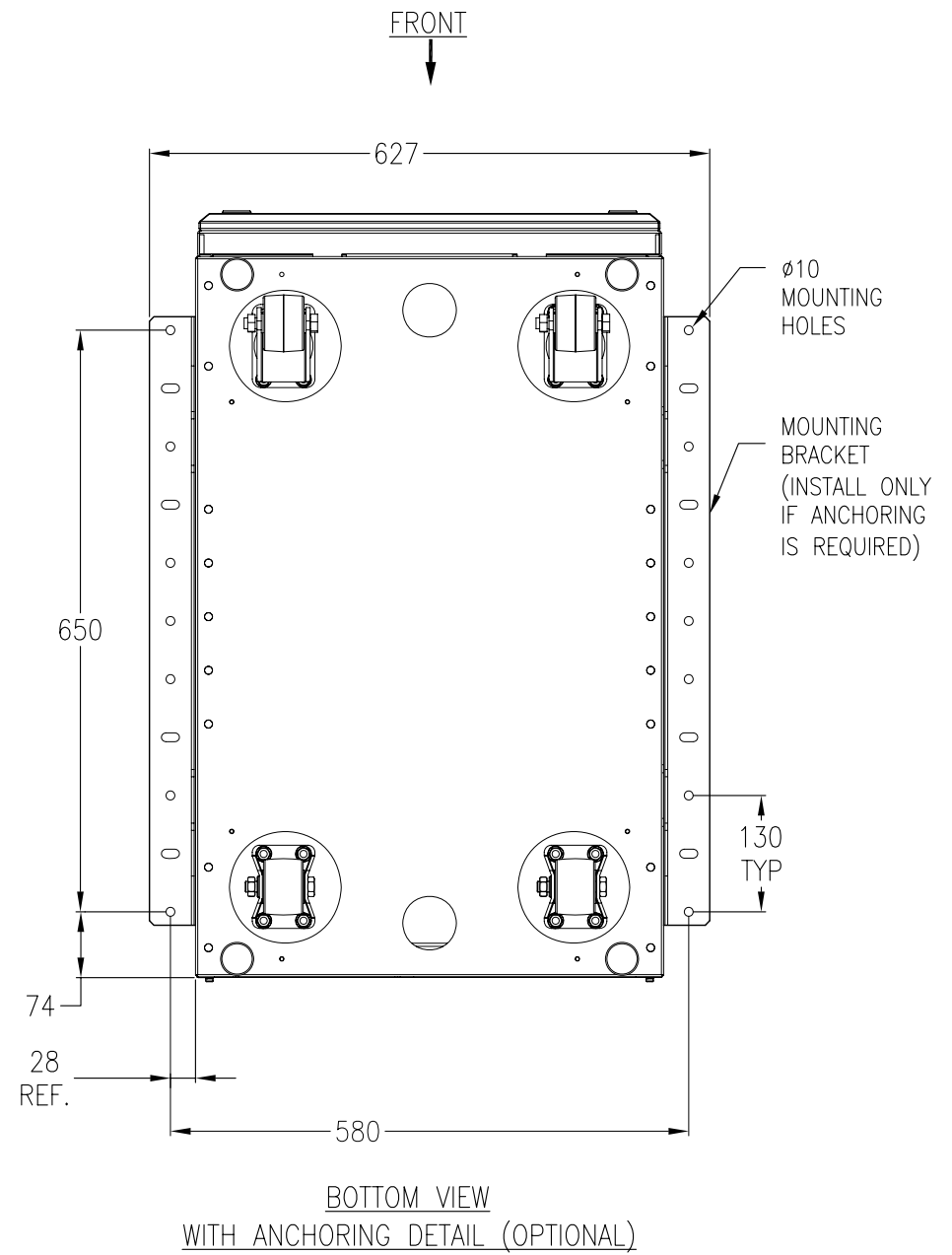
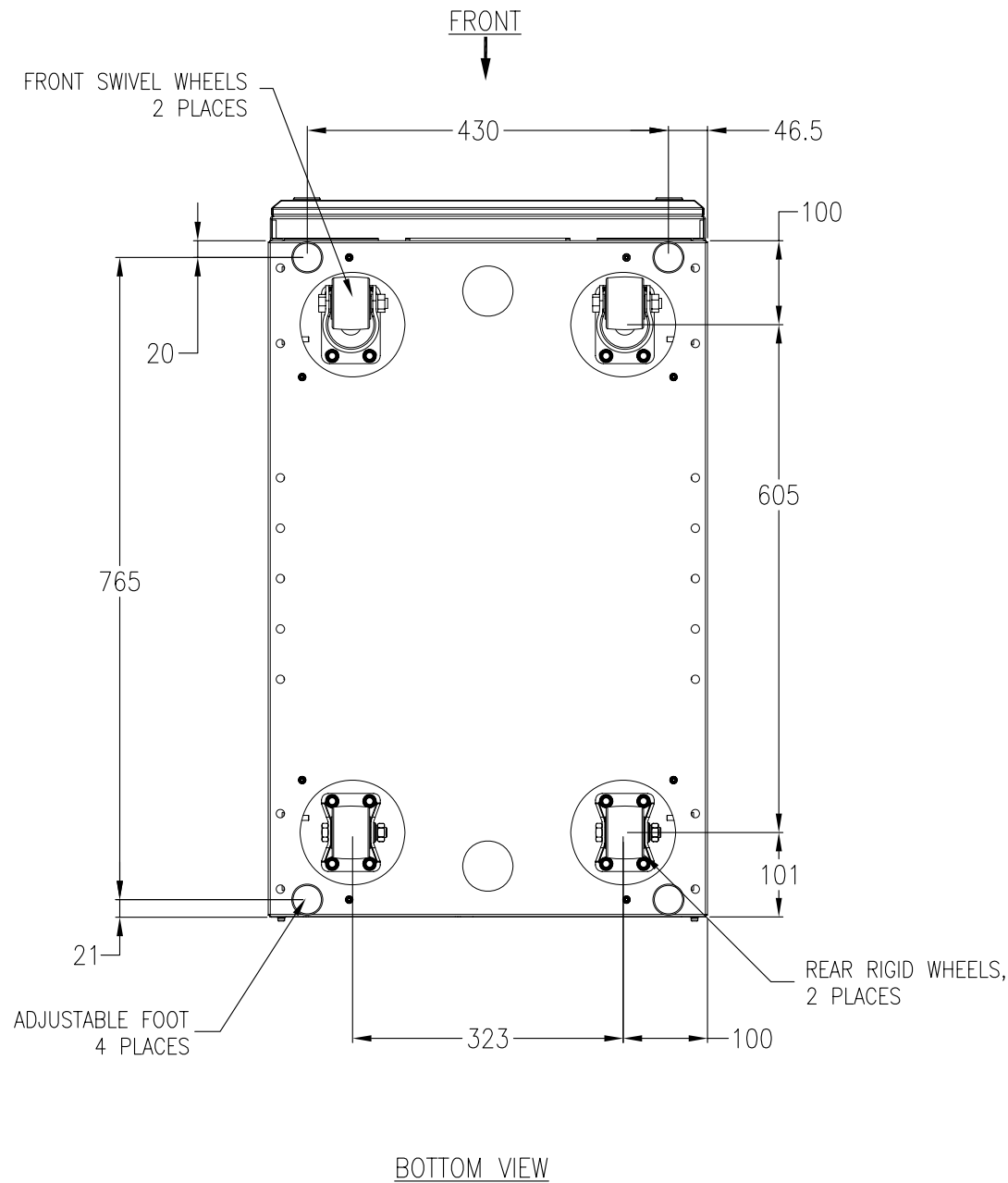
NOTES:

1. INSTALLATION SHALL COMPLY WITH ALL APPLICABLE NATIONAL AND LOCAL ELECTRICAL REGULATIONS.
2. PLEASE REFER TO PRODUCT MANUALS FOR ADDITIONAL DETAILS.
3. ALL DIMENSIONS ARE IN MILLIMETERS UNLESS OTHERWISE SPECIFIED.
4. SOME STRUCTURAL DETAILS HAVE BEEN OMITTED FOR THE PURPOSE OF CLARITY.
5. CONDUIT BOX IS NOT PROVIDED WITH THE STANDARD UNIT BUT HAS TO BE ORDERED AS AN OPTION.

THIS DRAWING AND SPECIFICATIONS HEREIN ARE THE PROPERTY OF SCHNEIDER ELECTRIC AND SHALL NOT BE COPIED, REPRODUCED OR USED IN WHOLE OR IN PART, AS THE BASIS FOR THE MANUFACTURE OR SALE OF ITEMS WITHOUT WRITTEN PERMISSION FROM SCHNEIDER ELECTRIC. THIS DRAWING IS BASED UPON LATEST AVAILABLE INFORMATION AND IS SUBJECT TO CHANGE WITHOUT NOTICE.



TITLE: MGE GALAXY 3500 WIDE TOWER 10 TO 40KVA, 400V, 3PH WITHOUT BATTERY MODULES, INT MAINT BYPASS CONDUIT BOX OPTION	DWG NO: G35T10K40HS	REV. 1
DRAWN: JAYAPRAKASH	15-MAR-11	FIRST
ENGINEER: T.MULLER	15-MAR-11	ANGLE
PROJECT: SUBMITTAL DRAWINGS SHEET 2 OF 7	APPROVED: C.LARSEN	15-MAR-11
		PROJECTION



NOTES:

1. INSTALLATION SHALL COMPLY WITH ALL APPLICABLE NATIONAL AND LOCAL ELECTRICAL REGULATIONS.
2. PLEASE REFER TO PRODUCT MANUALS FOR ADDITIONAL DETAILS.
3. ALL DIMENSIONS ARE IN MILLIMETERS UNLESS OTHERWISE SPECIFIED.

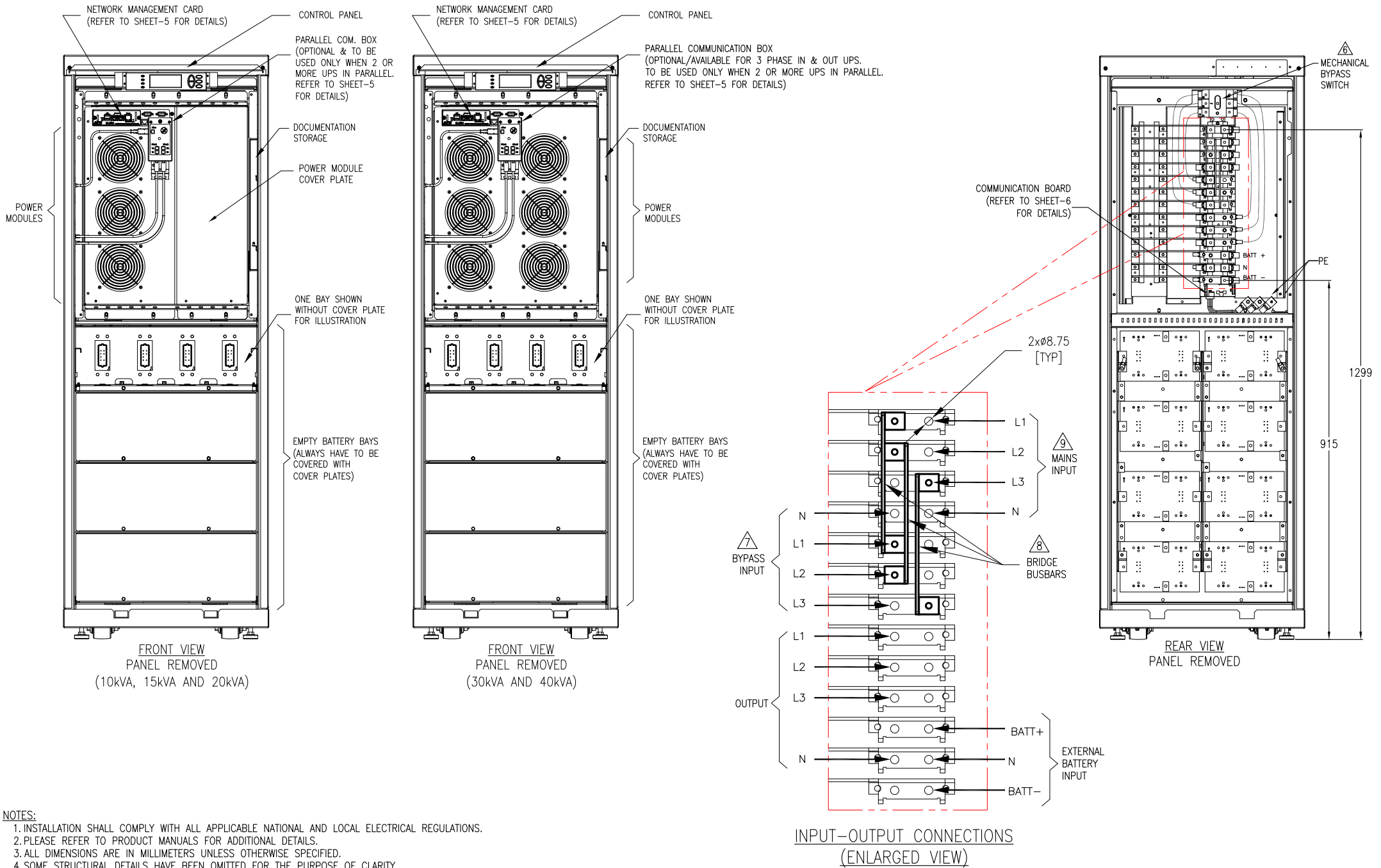
THIS DRAWING AND SPECIFICATIONS HEREIN ARE THE PROPERTY OF SCHNEIDER ELECTRIC AND SHALL NOT BE COPIED, REPRODUCED OR USED IN WHOLE OR IN PART, AS THE BASIS FOR THE MANUFACTURE OR SALE OF ITEMS WITHOUT WRITTEN PERMISSION FROM SCHNEIDER ELECTRIC. THIS DRAWING IS BASED UPON LATEST AVAILABLE INFORMATION AND IS SUBJECT TO CHANGE WITHOUT NOTICE.

**Schneider
Electric**

TITLE:
MGE GALAXY 3500 WIDE TOWER
10 TO 40kVA, 400V, 3PH
WITHOUT BATTERY MODULES, INT MAINT BYPASS
BOTTOM VIEWS
PROJECT: SUBMITTAL DRAWINGS SHEET 3 OF 7

DWG NO: G35T10K40HS
DRAWN: JAYAPRAKASH
ENGINEER: I.KENNEDY
APPROVED: C.LARSEN

REV: 0
FIRST
ANGLE
PROJECTION



NOTES:

1. INSTALLATION SHALL COMPLY WITH ALL APPLICABLE NATIONAL AND LOCAL ELECTRICAL REGULATIONS.
2. PLEASE REFER TO PRODUCT MANUALS FOR ADDITIONAL DETAILS.
3. ALL DIMENSIONS ARE IN MILLIMETERS UNLESS OTHERWISE SPECIFIED.
4. SOME STRUCTURAL DETAILS HAVE BEEN OMITTED FOR THE PURPOSE OF CLARITY.
5. GALAXY 3500 UPS IS DESIGNED FOR SINGLE AND DUAL MAINS. SINGLE MAINS INSTALLATION IS A DEFAULT.
- △ 6. THE MECHANICAL BYPASS SWITCH MUST BE REMOVED WHEN THE UPS IS TO RUN IN PARALLEL.
- △ 7. FOR DUAL MAINS ONLY.
- △ 8. TO BE REMOVED FOR DUAL MAINS INSTALLATION.
- △ 9. THE MAINS INPUT NEUTRAL SHOULD BE FED ONLY FOR SINGLE MAINS CONFIGURATION.
FOR DUAL MAINS CONFIGURATION THE MAINS INPUT NEUTRAL SHOULD NOT BE FED.

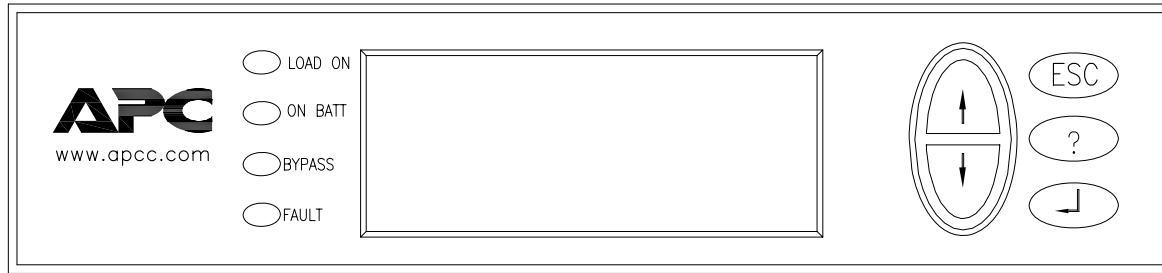
THIS DRAWING AND SPECIFICATIONS HEREIN ARE THE PROPERTY OF SCHNEIDER ELECTRIC AND SHALL NOT BE COPIED, REPRODUCED OR USED IN WHOLE OR IN PART, AS THE BASIS FOR THE MANUFACTURE OR SALE OF ITEMS WITHOUT WRITTEN PERMISSION FROM SCHNEIDER ELECTRIC. THIS DRAWING IS BASED UPON LATEST AVAILABLE INFORMATION AND IS SUBJECT TO CHANGE WITHOUT NOTICE.



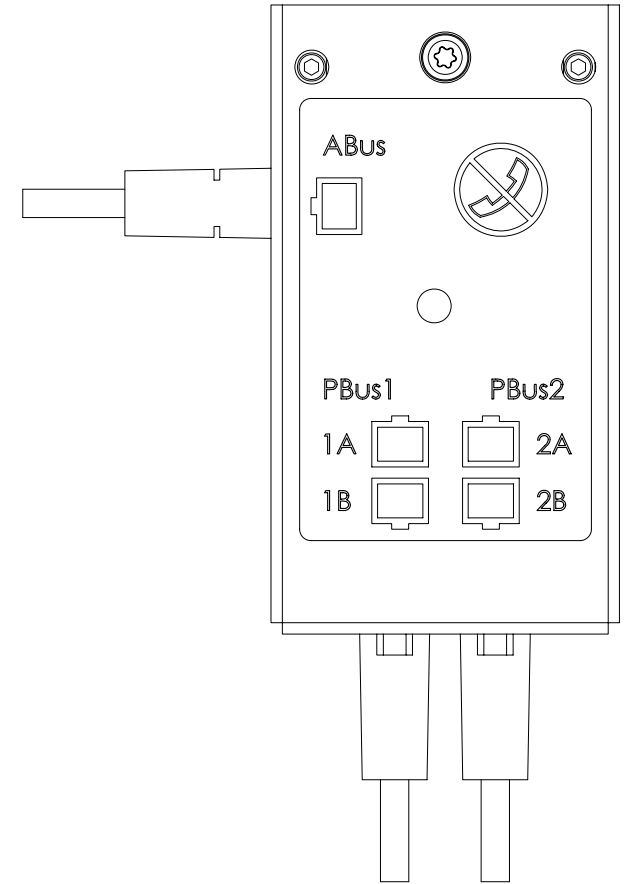
TITLE:
MGE GALAXY 3500 WIDE TOWER
10 TO 40kVA, 400V, 3PH
WITHOUT BATTERY MODULES, INT MAINT BYPASS
INPUT-OUTPUT DETAILS

PROJECT: SUBMITTAL DRAWINGS SHEET 4 OF 7

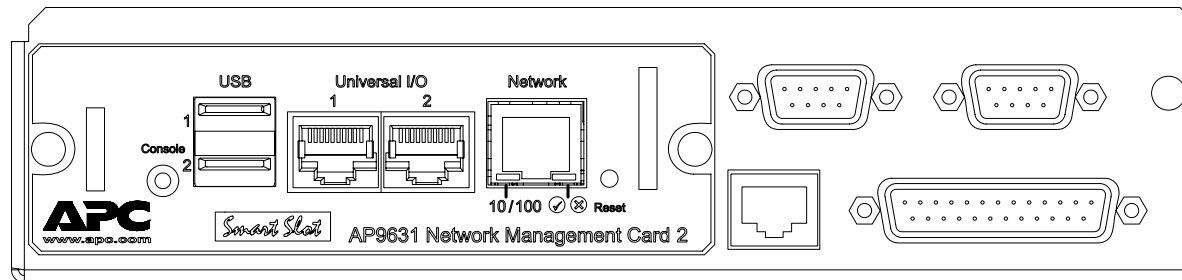
DWG NO:	G35T10K40HS	REV:	2
DRAWN:	JAYAPRAKASH	08-DEC-15	FIRST ANGLE PROJECTION
ENGINEER:	T.MULLER	08-DEC-15	
APPROVED:	ANDERSEN/E.SILVA	08-DEC-15	



CONTROL PANEL



PARALLEL COMMUNICATION BOX
SKU NUMBER: SUVTOPT009
(OPTIONAL)



NETWORK MANAGEMENT CARD

NOTES:

1. INSTALLATION SHALL COMPLY WITH ALL APPLICABLE NATIONAL AND LOCAL ELECTRICAL REGULATIONS.
2. PLEASE REFER TO PRODUCT MANUALS FOR ADDITIONAL DETAILS.

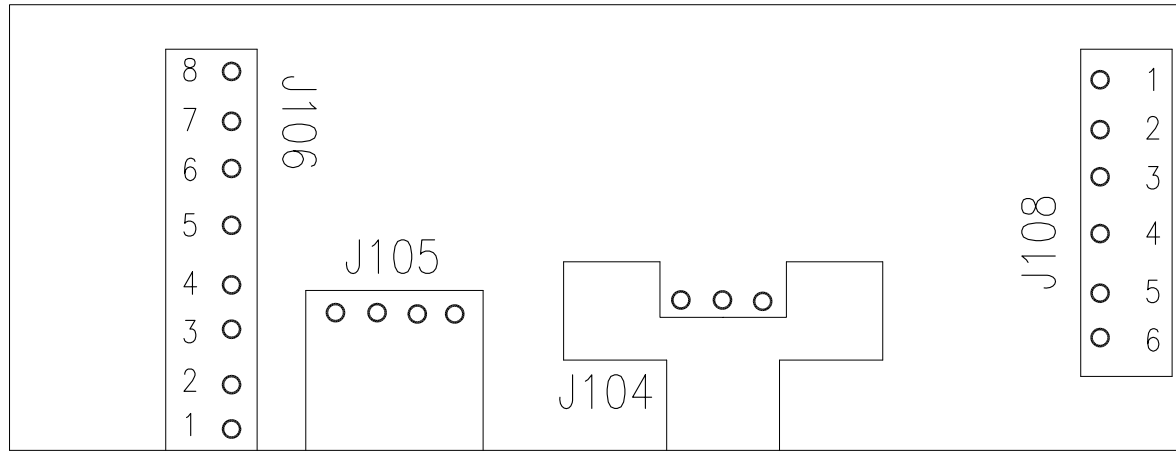
THIS DRAWING AND SPECIFICATIONS HEREIN ARE THE PROPERTY OF SCHNEIDER ELECTRIC AND SHALL NOT BE COPIED, REPRODUCED OR USED IN WHOLE OR IN PART, AS THE BASIS FOR THE MANUFACTURE OR SALE OF ITEMS WITHOUT WRITTEN PERMISSION FROM SCHNEIDER ELECTRIC. THIS DRAWING IS BASED UPON LATEST AVAILABLE INFORMATION AND IS SUBJECT TO CHANGE WITHOUT NOTICE.



TITLE:
MGE GALAXY 3500 WIDE TOWER
10 TO 40KVA, 400V, 3PH
WITHOUT BATTERY MODULES, INT MAINT BYPASS
CONTROL PANEL, NMC & COM.BOX
PROJECT: SUBMITTAL DRAWINGS SHEET 5 OF 7

DWG NO: G35T10K40HS
DRAWN: JAYAPRAKASH
ENGINEER: I.KENNEDY
APPROVED: C.LARSEN

REV: 0
FIRST ANGLE PROJECTION



COMMUNICATION BOARD

J106 PIN CONNECTIONS

J106	
8 ○	External charging control return
7 ○	External control of charging
6 ○	Q3 active return
5 ○	Q3 active
4 ○	Battery measurement supply
3 ○	Battery unit quantity
2 ○	Max. battery temperature
1 ○	Battery measurement return

J108 PIN CONNECTIONS

J108	
Normally open EPO	○ 1
Normally open EPO return	○ 2
Normally closed EPO	○ 3
Normally closed EPO return	○ 4
+24V SELV supply	○ 5
SELV ground	○ 6

NOTES:

1. INSTALLATION SHALL COMPLY WITH ALL APPLICABLE NATIONAL AND LOCAL ELECTRICAL REGULATIONS.
2. PLEASE REFER TO PRODUCT MANUALS FOR ADDITIONAL DETAILS.

THIS DRAWING AND SPECIFICATIONS HEREIN ARE THE PROPERTY OF SCHNEIDER ELECTRIC AND SHALL NOT BE COPIED, REPRODUCED OR USED IN WHOLE OR IN PART, AS THE BASIS FOR THE MANUFACTURE OR SALE OF ITEMS WITHOUT WRITTEN PERMISSION FROM SCHNEIDER ELECTRIC. THIS DRAWING IS BASED UPON LATEST AVAILABLE INFORMATION AND IS SUBJECT TO CHANGE WITHOUT NOTICE.



TITLE: MGE GALAXY 3500 WIDE TOWER
10 TO 40KVA, 400V, 3PH
WITHOUT BATTERY MODULES, INT MAINT BYPASS
COMMUNICATION BOARD
PROJECT: SUBMITTAL DRAWINGS SHEET 6 OF 7

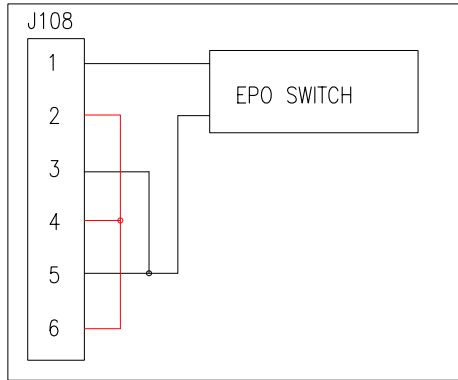
DWG NO: G35T10K40HS
DRAWN: JAYAPRAKASH
ENGINEER: I.KENNEDY
APPROVED: C.LARSEN

REV: 0
FIRST ANGLE PROJECTION

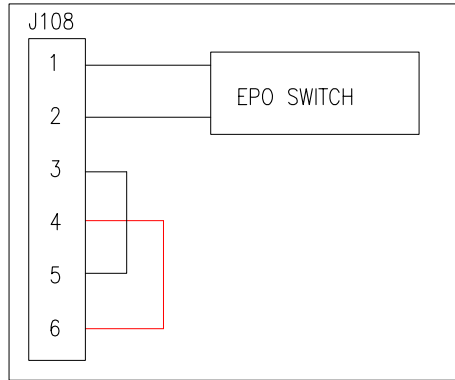
EPO WIRING OPTIONS (J108)

CONNECT THE EPO CABLE, USING ONE OF THE FOLLOWING 4 WIRING CONFIGURATIONS.

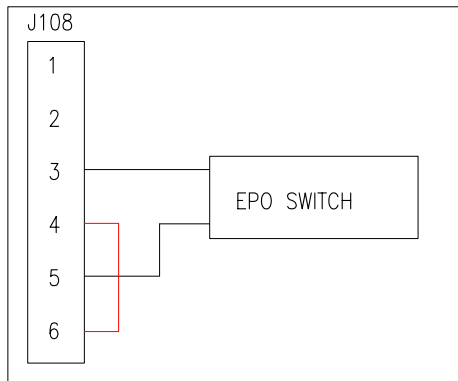
1: DRY CONTACTS NORMALLY OPEN



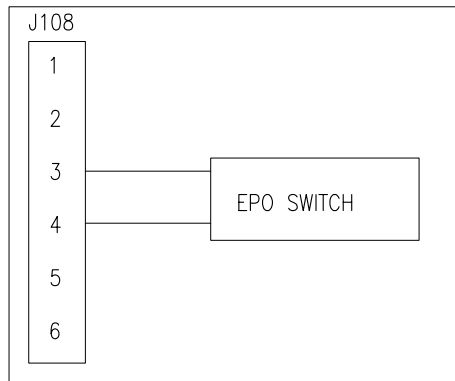
2: +24V NORMALLY OPEN



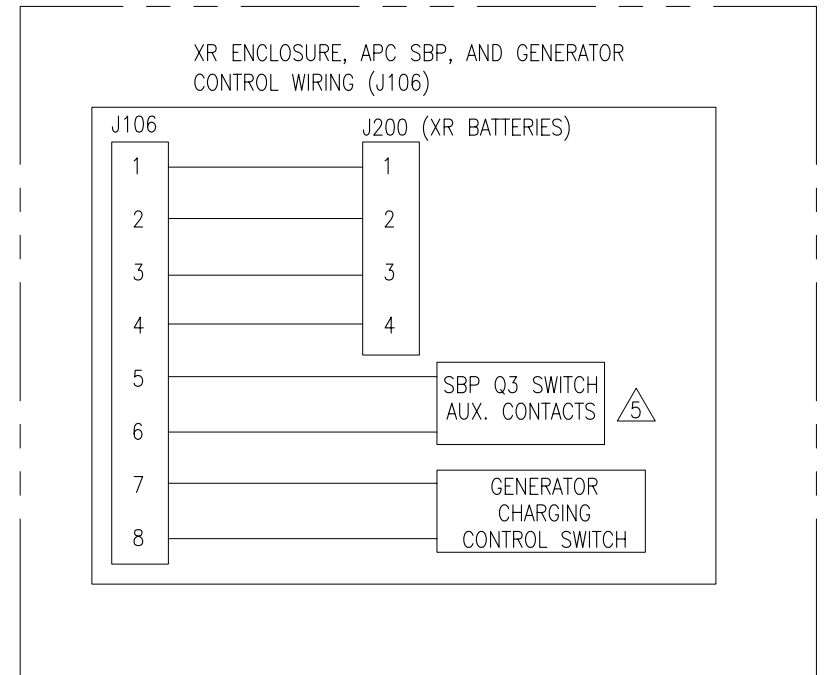
3: DRY CONTACTS NORMALLY CLOSED



4: +24V NORMALLY CLOSED



XR ENCLOSURE, APC SBP, AND GENERATOR CONTROL WIRING (J106)



NOTES:

1. INSTALLATION SHALL COMPLY WITH ALL APPLICABLE NATIONAL AND LOCAL ELECTRICAL REGULATIONS.
2. PLEASE REFER TO PRODUCT MANUALS FOR ADDITIONAL DETAILS.
3. FOR COMMUNICATION CABLES USE ONLY 1-1.5 SQ mm COPPER WIRE RATED MINIMUM 250V.
4. FOR SYSTEM CONTROL CONNECTIONS (CAN I/O BOARD LOCATED IN SBP) PLEASE REFER TO DRAWING NUMBER:
G35T10K40H2-1MOD-WD/G35T10K40H2-2MOD-WD/G35T10K40H2-3MOD-WD.
- △ 5. FOR ONE MODULE CONFIGURATION ONLY.

THIS DRAWING AND SPECIFICATIONS HEREIN ARE THE PROPERTY OF SCHNEIDER ELECTRIC AND SHALL NOT BE COPIED, REPRODUCED OR USED IN WHOLE OR IN PART, AS THE BASIS FOR THE MANUFACTURE OR SALE OF ITEMS WITHOUT WRITTEN PERMISSION FROM SCHNEIDER ELECTRIC. THIS DRAWING IS BASED UPON LATEST AVAILABLE INFORMATION AND IS SUBJECT TO CHANGE WITHOUT NOTICE.



TITLE: MGE GALAXY 3500 WIDE TOWER 10 TO 40kVA, 400V, 3PH WITHOUT BATTERY MODULES, INT MAINT BYPASS EPO CIRCUITS
PROJECT: SUBMITTAL DRAWINGS SHEET 7 OF 7

DWG NO: G35T10K40HS
DRAWN: JAYAPRAKASH
ENGINEER: I.KENNEDY
APPROVED: C.LARSEN

REV: 0
FIRST ANGLE PROJECTION