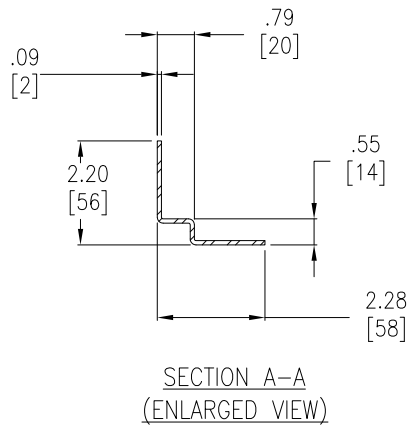
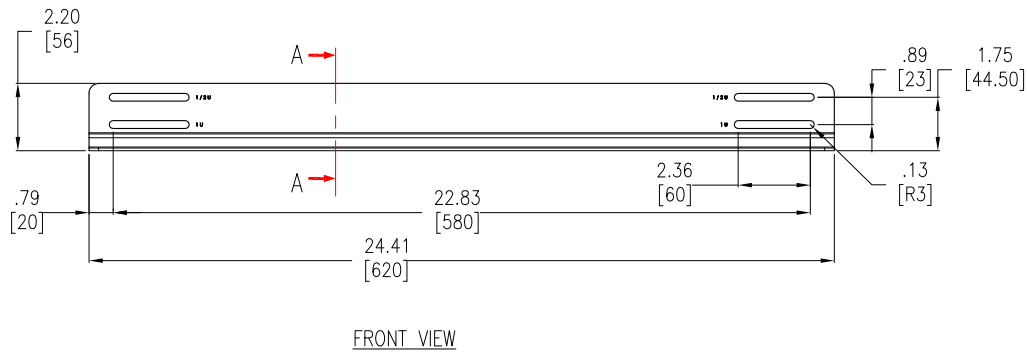
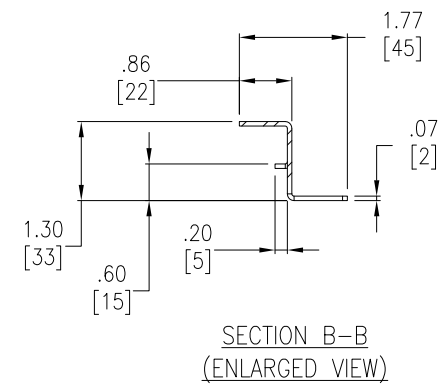
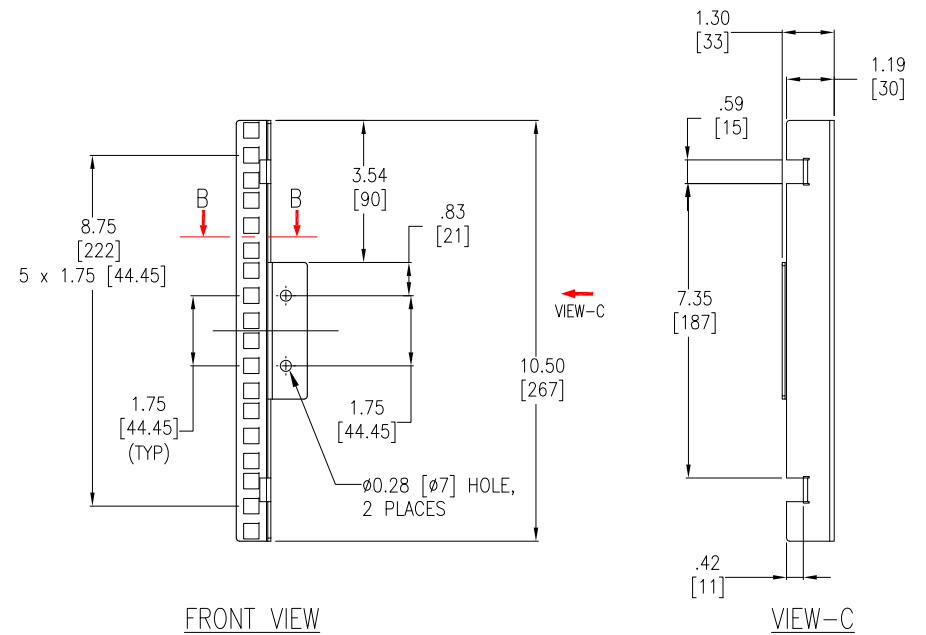


SERVER SUPPORT RAIL (QTY.: 2 PIECES)



BRACKET PMA EXTENDER (QTY.: 4 PIECES)



NOTES:

1. INSTALLATION SHALL COMPLY WITH ALL APPLICABLE NATIONAL AND LOCAL CODES.
2. SEE PRODUCT DOCUMENTATION FOR FURTHER INFORMATION.
3. UNLESS OTHERWISE SPECIFIED, ALL DIMENSIONS ARE IN INCHES [MILLIMETERS].
4. WEIGHT OF UNIT IS 5.0 LBS [2.27 kg].

THIS DRAWING AND SPECIFICATIONS HEREIN ARE THE PROPERTY OF SCHNEIDER ELECTRIC AND SHALL NOT BE COPIED, REPRODUCED OR USED IN WHOLE OR IN PART, AS THE BASIS FOR THE MANUFACTURE OR SALE OF ITEMS WITHOUT WRITTEN PERMISSION FROM SCHNEIDER ELECTRIC. THIS DRAWING IS BASED UPON LATEST AVAILABLE INFORMATION AND IS SUBJECT TO CHANGE WITHOUT NOTICE.



TITLE: EQUIPMENT SUPPORT RAILS FOR 600mm WIDE ENCLOSURE MAIN MECHANICAL

PROJECT: STD SUBMITTAL DRAWINGS SHEET 1 OF 2

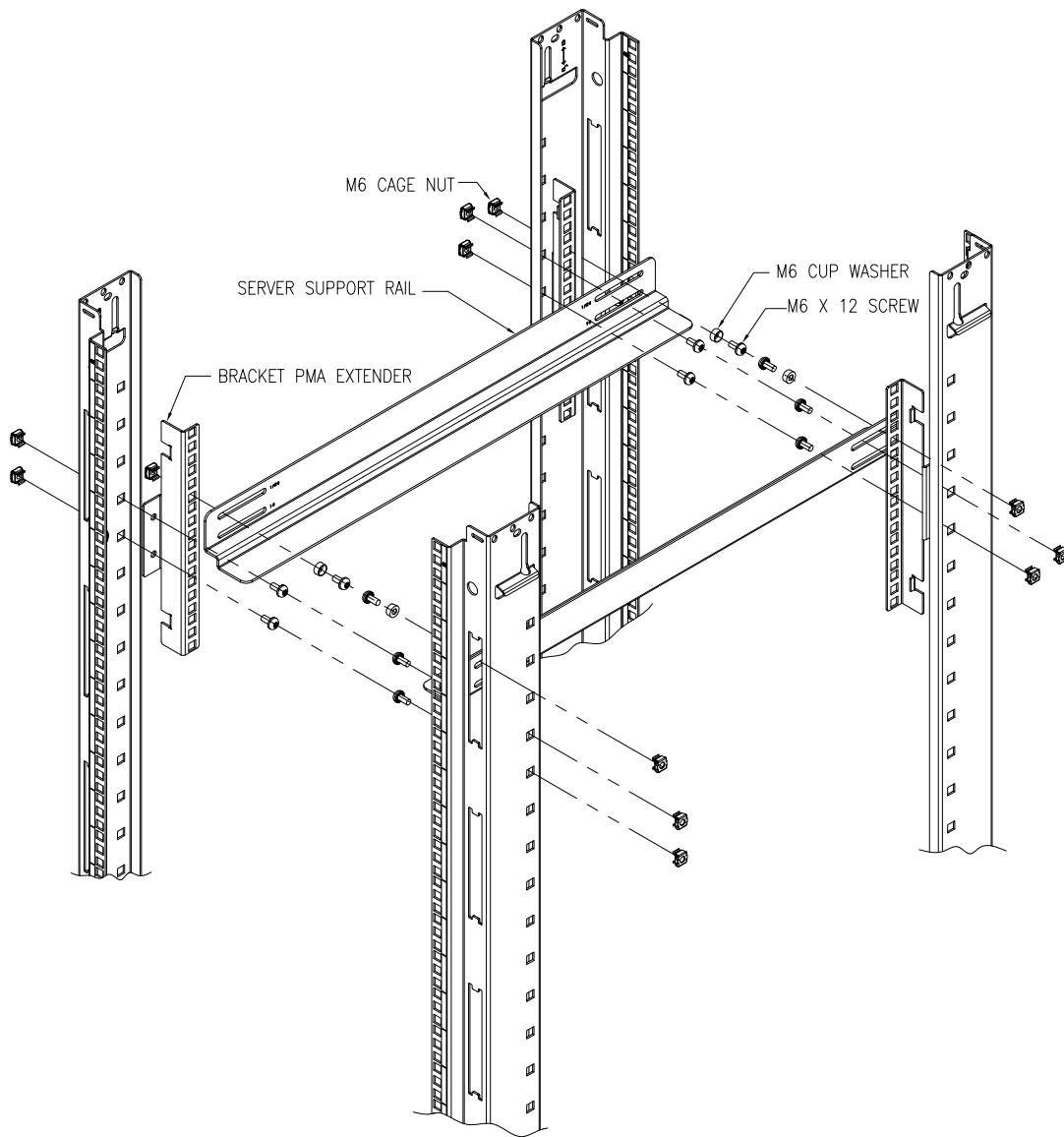
DWG NO: **AR8006A**

DRAWN BY: JAYAPRAKASH 28-NOV-07

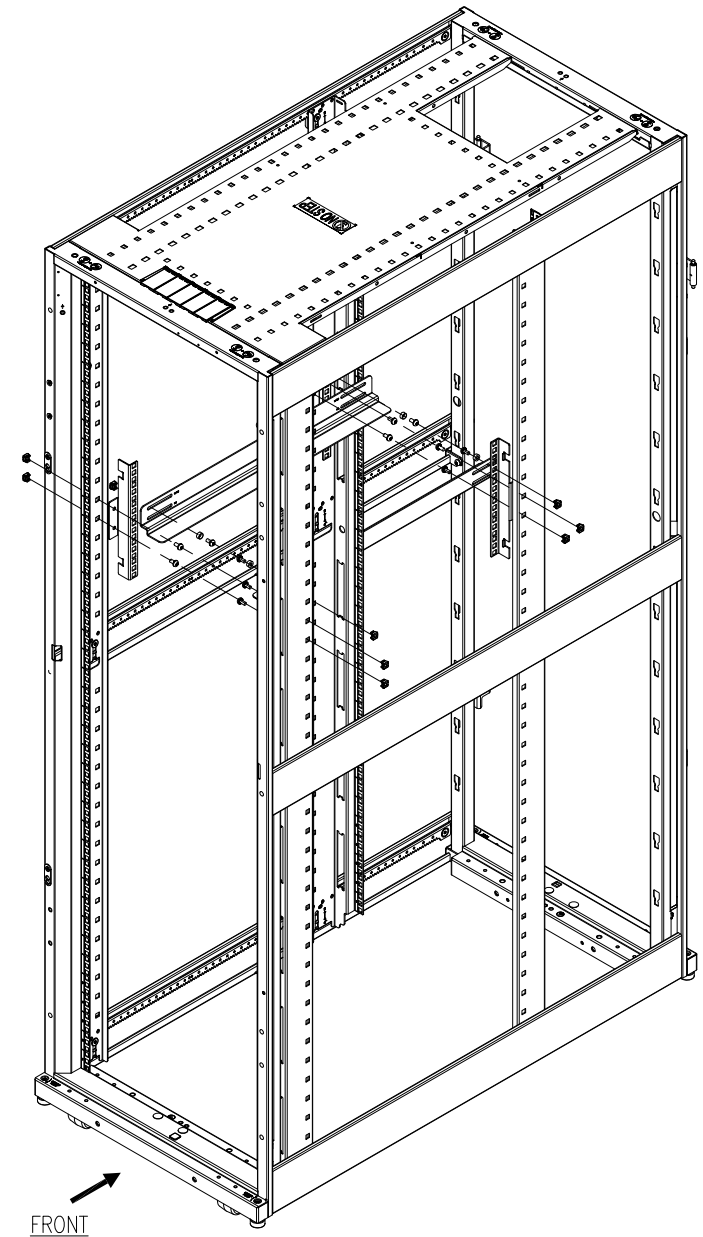
ENGINEER: M UHRHAN/B OLIVER 30-NOV-07

APPROVED BY: B SHENDANE/SILVIA C LARSEN/S WASH 30-NOV-07

REV 0
PROJ ANGLE N/A



ISOMETRIC VIEW (EXPLODED VIEW)



TYPICAL APPLICATION, DOORS & SIDE PANELS NOT SHOWN
(ISOMETRIC VIEW)

NOTES:

1. INSTALLATION SHALL COMPLY WITH ALL APPLICABLE NATIONAL AND LOCAL CODES.
2. SEE PRODUCT DOCUMENTATION FOR FURTHER INFORMATION.

THIS DRAWING AND SPECIFICATIONS HEREIN ARE THE PROPERTY OF SCHNEIDER ELECTRIC AND SHALL NOT BE COPIED, REPRODUCED OR USED IN WHOLE OR IN PART, AS THE BASIS FOR THE MANUFACTURE OR SALE OF ITEMS WITHOUT WRITTEN PERMISSION FROM SCHNEIDER ELECTRIC. THIS DRAWING IS BASED UPON LATEST AVAILABLE INFORMATION AND IS SUBJECT TO CHANGE WITHOUT NOTICE.



TITLE:
EQUIPMENT SUPPORT RAILS
FOR 600mm WIDE ENCLOSURE
ISOMETRIC VIEWS

PROJECT: STD SUBMITTAL DRAWINGS SHEET 2 OF 2

DWG NO: AR8006A

DRAWN BY: JAYAPRAKASH 28-NOV-07

ENGINEER: M UHRHAN/B OLIVER 30-NOV-07

APPROVED BY: SHERIDANE SIVAJI LARSEN/S NISHI 30-NOV-07

REV 0

PROJ
ANGLE
N/A