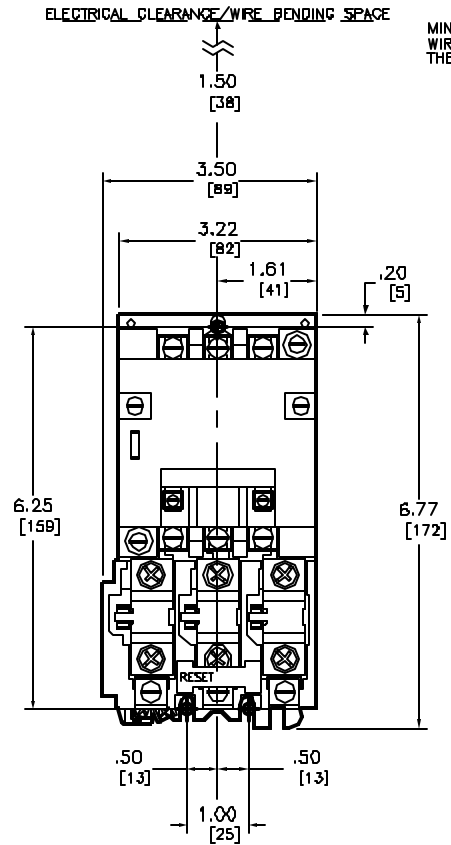
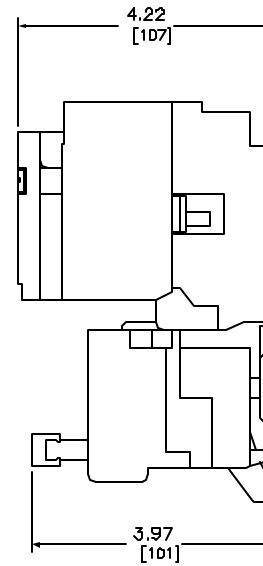


NEMA SIZE 00 STARTER
 3-POLE POLYPHASE - 600 VAC, 50-60 HZ

CGL VOLTAGE CODE (1)	VOLTAGE	
	60 HZ	50 HZ
V01	24	-
V02	120	110
V08	208	-
V03	240	220
V06	480	440
V07	600	550
V99	SPECIFY	SPECIFY



MINIMUM TO WALL OR BARRIER TO INSURE ADEQUATE WIRE BENDING SPACE TO LUG SURFACE WHEN THE MAXIMUM WIRE SIZE IS USED. REF. NEC 430-10



Catalog Number: B536-SA012(1)
 Ratings: SEE CHART
 UL File/CCN: E78351/NLDX
 CSA File/Class: LR80905/3211 0
 Meets Standards: -
 Weight: 6 lbs
 Wire Size: POWER - #14-#8, CONTROL - #18-#12
 Terminal torque: 20 LB/IN
 Mounting Hwd.: (3) #10 screws

DUAL DIMENSIONS; INCHES
 MILLIMETERS

NEMA SIZE 00 STARTER
 CLASS B536 TYPE SA012(1)



DWG# E0302801-01
 NO.