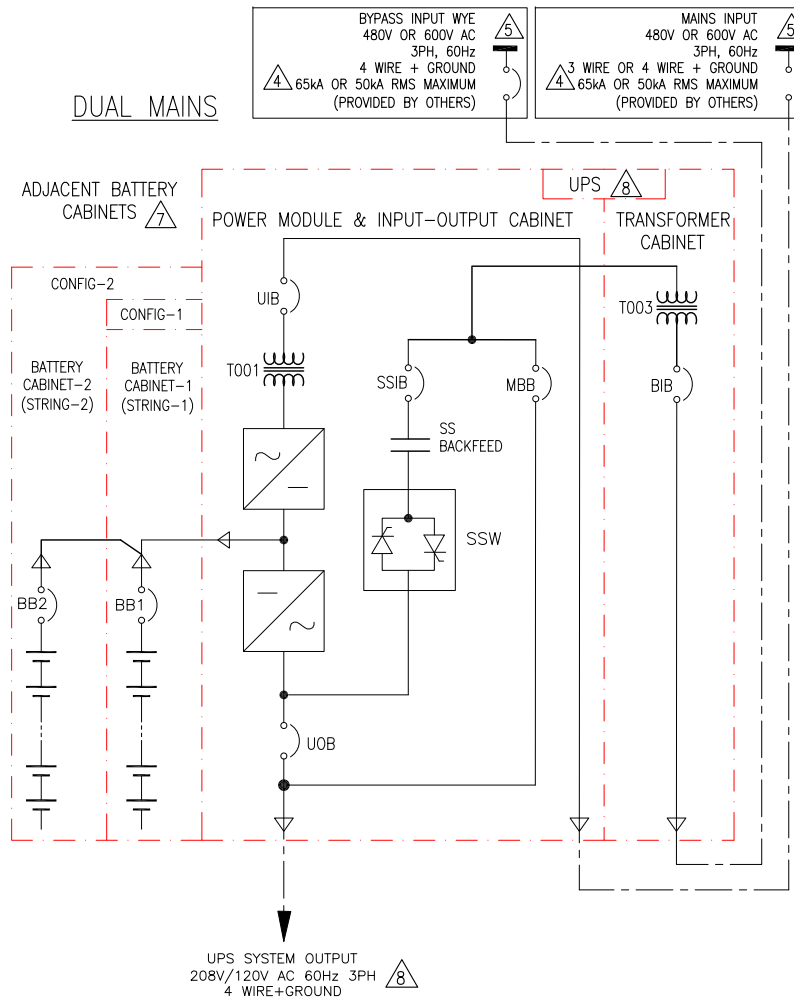
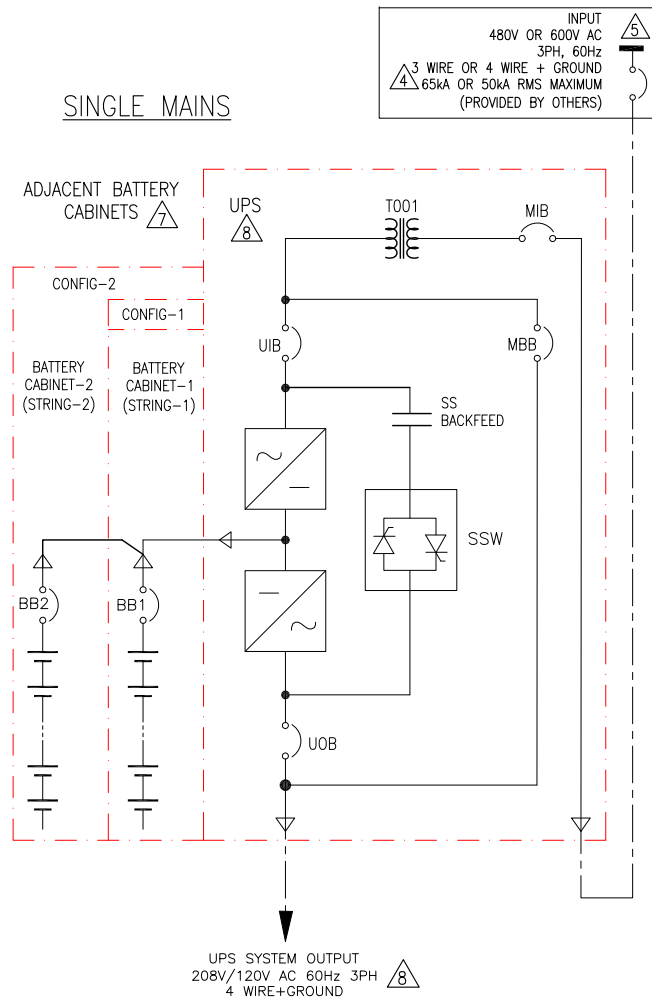


BOTTOM ENTRY WITH ADJACENT BATTERY CABINETS



NOTES:

1. INSTALLATION SHALL COMPLY WITH ALL APPLICABLE NATIONAL, STATE AND LOCAL CODES.
2. REFER TO PRODUCT DOCUMENTATION FOR ADDITIONAL DETAILS PRIOR TO INSTALLATION AND SITE PREPARATION WORK.
3. DRAWING DEPICTS POWER SYSTEM CONNECTIONS AND IS NOT REPRESENTATIVE OF PHYSICAL LAYOUT, PLEASE REFER TO MECHANICAL DRAWINGS FOR PHYSICAL LAYOUT.
- △4. MAXIMUM SHORT CIRCUIT CURRENT IS 65kA AT 480V AND 50kA AT 600V.
- △5. SINGLE MAINS: INPUT TO BE 480V OR 600V AC 3PH WYE 3 WIRE OR 4 WIRE+GROUND, EITHER SOLIDLY OR HIGH RESISTANCE GROUNDING, (CONTACT Schneider Electric IF OTHER).
 DUAL MAINS: MAINS INPUT TO BE 480V OR 600V AC 3PH 3 WIRE OR 4 WIRE+GROUND, EITHER SOLIDLY OR HIGH RESISTANCE GROUNDING, (CONTACT Schneider Electric IF OTHER).
 BYPASS INPUT TO BE 480V OR 600V AC 3PH WYE 4 WIRE+GROUND, EITHER SOLIDLY OR HIGH RESISTANCE GROUNDING, (CONTACT Schneider Electric IF OTHER).
6. CABLE LUGS ARE NOT PROVIDED.
- △7. TWO BATTERY CABINETS SHOWN, MAXIMUM OF 3 BATTERY CABINETS CAN BE BAYED WITH UPS. FOR RUNTIME DETAILS REFER TO INSTALLATION MANUAL OR CONTACT SCHNEIDER ELECTRIC.
- △8. FOR TECHNICAL SPECIFICATION, SKU NUMBERS ETC., REFER TO SHEET-7.
9. Schneider Electric RECOMMENDS TEMPERATURE RATING OF CONDUCTORS AT 90°C(194°F), REFERENCE TABLE 310.15(B)(16) OF NEC 75°C COLUMN, USE STANDARD COPPER CONDUCTORS (75°C(167°F) CABLE TERMINAL CONNECTORS ASSUMED).

LEGEND:
--- AC CABLE (PROVIDED BY OTHERS)

THIS DRAWING AND SPECIFICATIONS HEREIN ARE THE PROPERTY OF SCHNEIDER ELECTRIC AND SHALL NOT BE COPIED, REPRODUCED OR USED IN WHOLE OR IN PART, AS THE BASIS FOR THE MANUFACTURE OR SALE OF ITEMS WITHOUT WRITTEN PERMISSION FROM SCHNEIDER ELECTRIC. THIS DRAWING IS BASED UPON LATEST AVAILABLE INFORMATION AND IS SUBJECT TO CHANGE WITHOUT NOTICE.

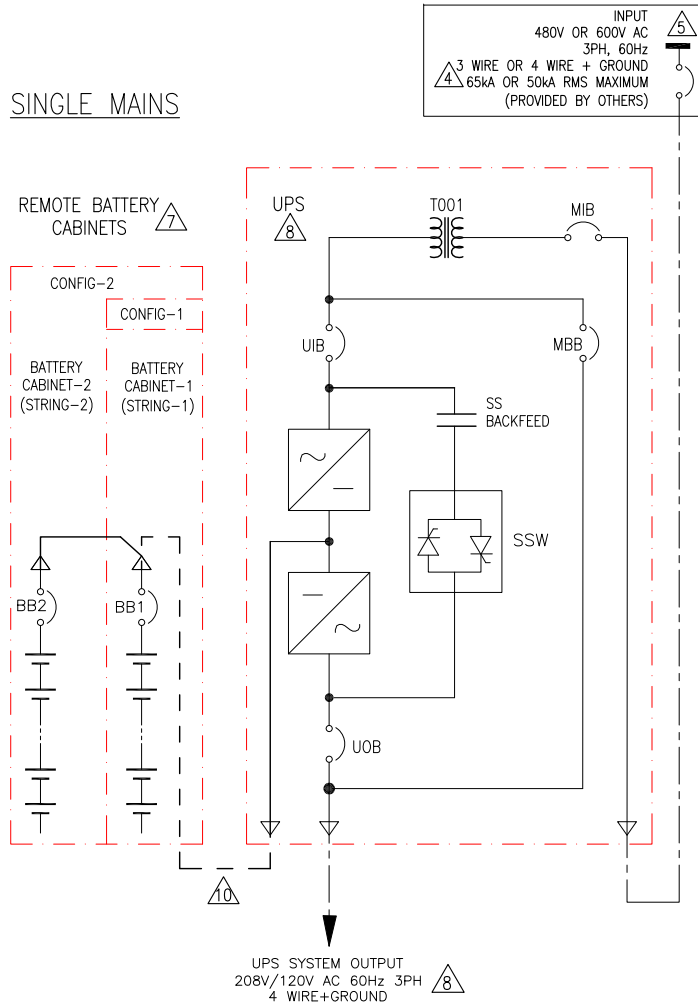


TITLE:	GUTOR PXC Input: 480V OR 600V AC 3PH SINGLE/DUAL MAINS Output: 208V/120V AC 3PH 25/37.5 kW 1 MOD UPS BOTTOM ENTRY W ADJ. BATT. CABINETS SYSTEM ONE LINE DIAGRAM
PROJECT:	DRAWINGS
SHEET	1 OF 7

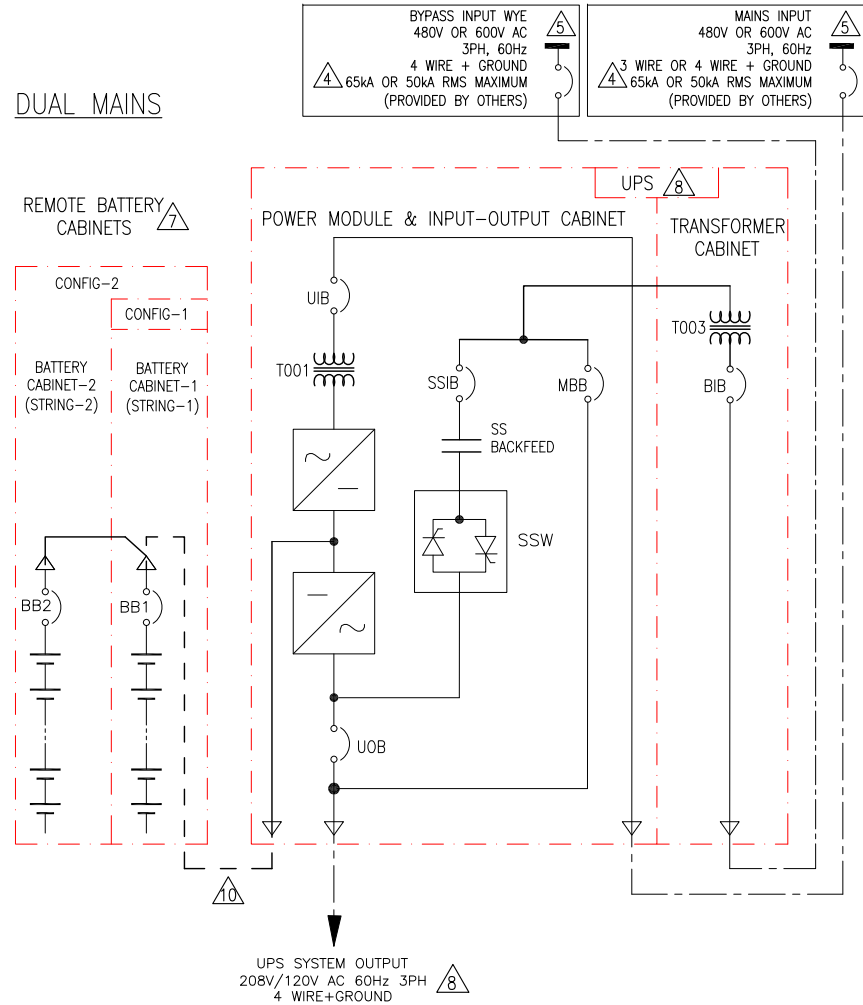
DWG NO:	GUPXC25K37LGFTBC1-SD	REV.	0
DRAWN BY:	LPG / BALA	26-SEP-17	ANGLE
ENGINEER:	W WATKINS/A SINGH	27-SEP-17	PROJECTION
APPROVED BY:	I K / N B	27-SEP-17	N. A

BOTTOM ENTRY WITH REMOTE BATTERY CABINETS

SINGLE MAINS



DUAL MAINS



NOTES:

1. INSTALLATION SHALL COMPLY WITH ALL APPLICABLE NATIONAL, STATE AND LOCAL CODES.
2. REFER TO PRODUCT DOCUMENTATION FOR ADDITIONAL DETAILS PRIOR TO INSTALLATION AND SITE PREPARATION WORK.
3. DRAWING DEPICTS POWER SYSTEM CONNECTIONS AND IS NOT REPRESENTATIVE OF PHYSICAL LAYOUT, PLEASE REFER TO MECHANICAL DRAWINGS FOR PHYSICAL LAYOUT.
- △4. MAXIMUM SHORT CIRCUIT CURRENT IS 65kA AT 480V AND 50kA AT 600V.
- △5. SINGLE MAINS: INPUT TO BE 480V OR 600V AC 3PH 3 WIRE OR 4 WIRE+GROUND, EITHER SOLIDLY OR HIGH RESISTANCE GROUNDED, (CONTACT Schneider Electric IF OTHER).
DUAL MAINS: MAINS INPUT TO BE 480V OR 600V AC 3PH 3 WIRE OR 4 WIRE+GROUND, EITHER SOLIDLY OR HIGH RESISTANCE GROUNDED, (CONTACT Schneider Electric IF OTHER).
BYPASS INPUT TO BE 480V OR 600V AC 3PH WYE 4 WIRE+GROUND, EITHER SOLIDLY OR HIGH RESISTANCE GROUNDED, (CONTACT Schneider Electric IF OTHER).
6. CABLE LUGS ARE NOT PROVIDED.
- △7. TWO BATTERY CABINETS SHOWN, MAXIMUM OF 3 BATTERY CABINETS CAN BE BAYED. FOR RUNTIME DETAILS REFER TO INSTALLATION MANUAL OR CONTACT SCHNEIDER ELECTRIC.
- △8. FOR TECHNICAL SPECIFICATION, SKU NUMBERS ETC., REFER TO SHEET-7.
9. Schneider Electric RECOMMENDS TEMPERATURE RATING OF CONDUCTORS AT 90°C(194°F), REFERENCE TABLE 310.15(B)(16) OF NEC 75°C COLUMN, USE STANDARD COPPER CONDUCTORS (75°C(167°F) CABLE TERMINAL CONNECTORS ASSUMED).
- △10. Schneider Electric RECOMMENDS ALL CABLES SHALL BE SIZED IN ACCORDANCE WITH ARTICLE 210-19 OF NEC (FEEDER VOLTAGE DROP OF 3%). CONSULT YOUR LICENSED ENGINEER OF RECORDS FOR SITE-SPECIFIC *10MS/LR TIME CONSTANT CALCULATIONS FOR OVER-CURRENT PROTECTION AND BATTERY RUNTIMES.

LEGEND:

- AC CABLE (PROVIDED BY OTHERS)
- - - 500VDC CABLE (PROVIDED BY OTHERS)

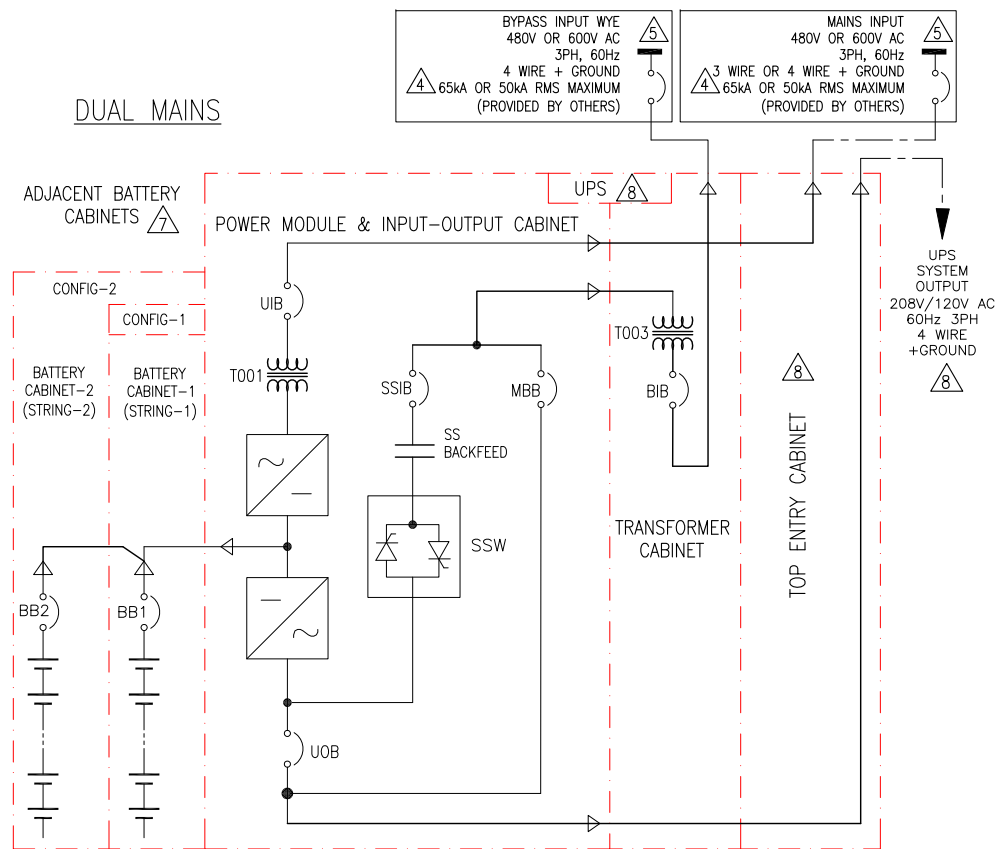
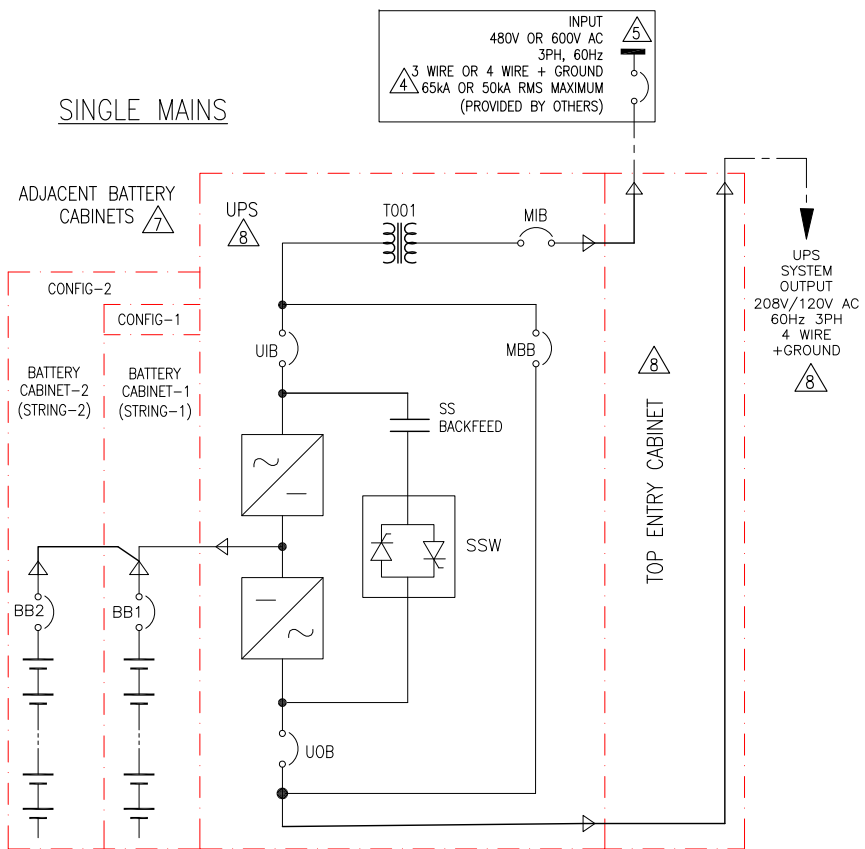
THIS DRAWING AND SPECIFICATIONS HEREIN ARE THE PROPERTY OF SCHNEIDER ELECTRIC AND SHALL NOT BE COPIED, REPRODUCED OR USED IN WHOLE OR IN PART, AS THE BASIS FOR THE MANUFACTURE OR SALE OF ITEMS WITHOUT WRITTEN PERMISSION FROM SCHNEIDER ELECTRIC. THIS DRAWING IS BASED UPON LATEST AVAILABLE INFORMATION AND IS SUBJECT TO CHANGE WITHOUT NOTICE.



TITLE: GUTOR PXC
 Input: 480V OR 600V AC 3PH SINGLE/DUAL MAINS
 Output: 208V/120V AC 3PH 25/37.5 kW
 1 MOD UPS BOT ENTRY W REMOTE BATT. CABINETS
 SYSTEM ONE LINE DIAGRAM
PROJECT: DRAWINGS **SHEET 2 OF 7**

DWG NO: GUPXC25K37LGFTBC1-SD	REV. 0
DRAWN BY: LPG / BALA	26-SEP-17
ENGINEER: W WATKINS/A SINGH	27-SEP-17
APPROVED BY: I K / N B	27-SEP-17

TOP ENTRY WITH ADJACENT BATTERY CABINETS



NOTES:

1. INSTALLATION SHALL COMPLY WITH ALL APPLICABLE NATIONAL, STATE AND LOCAL CODES.
2. REFER TO PRODUCT DOCUMENTATION FOR ADDITIONAL DETAILS PRIOR TO INSTALLATION AND SITE PREPARATION WORK.
3. DRAWING DEPICTS POWER SYSTEM CONNECTIONS AND IS NOT REPRESENTATIVE OF PHYSICAL LAYOUT, PLEASE REFER TO MECHANICAL DRAWINGS FOR PHYSICAL LAYOUT.
- △4. MAXIMUM SHORT CIRCUIT CURRENT IS 65kA AT 480V AND 50kA AT 600V.
- △5. SINGLE MAINS: INPUT TO BE 480V OR 600V AC 3PH 3 WIRE OR 4 WIRE+GROUND, EITHER SOLIDLY OR HIGH RESISTANCE GROUNDING, (CONTACT Schneider Electric IF OTHER).
 DUAL MAINS: MAINS INPUT TO BE 480V OR 600V AC 3PH 3 WIRE OR 4 WIRE+GROUND, EITHER SOLIDLY OR HIGH RESISTANCE GROUNDING, (CONTACT Schneider Electric IF OTHER).
 BYPASS INPUT TO BE 480V OR 600V AC 3PH WYE 4 WIRE+GROUND, EITHER SOLIDLY OR HIGH RESISTANCE GROUNDING, (CONTACT Schneider Electric IF OTHER).
6. CABLE LUGS ARE NOT PROVIDED.
- △7. TWO BATTERY CABINETS SHOWN, MAXIMUM OF 3 BATTERY CABINETS CAN BE BAYED WITH UPS. FOR RUNTIME DETAILS REFER TO INSTALLATION MANUAL OR CONTACT SCHNEIDER ELECTRIC.
- △8. FOR TECHNICAL SPECIFICATION, SKU NUMBERS ETC., REFER TO SHEET-7.
9. Schneider Electric RECOMMENDS TEMPERATURE RATING OF CONDUCTORS AT 90°C(194°F), REFERENCE TABLE 310.15(B)(16) OF NEC 75°C COLUMN, USE STANDARD COPPER CONDUCTORS (75°C(167°F) CABLE TERMINAL CONNECTORS ASSUMED).

LEGEND:
 AC CABLE (PROVIDED BY OTHERS)

THIS DRAWING AND SPECIFICATIONS HEREIN ARE THE PROPERTY OF SCHNEIDER ELECTRIC AND SHALL NOT BE COPIED, REPRODUCED OR USED IN WHOLE OR IN PART, AS THE BASIS FOR THE MANUFACTURE OR SALE OF ITEMS WITHOUT WRITTEN PERMISSION FROM SCHNEIDER ELECTRIC. THIS DRAWING IS BASED UPON LATEST AVAILABLE INFORMATION AND IS SUBJECT TO CHANGE WITHOUT NOTICE.

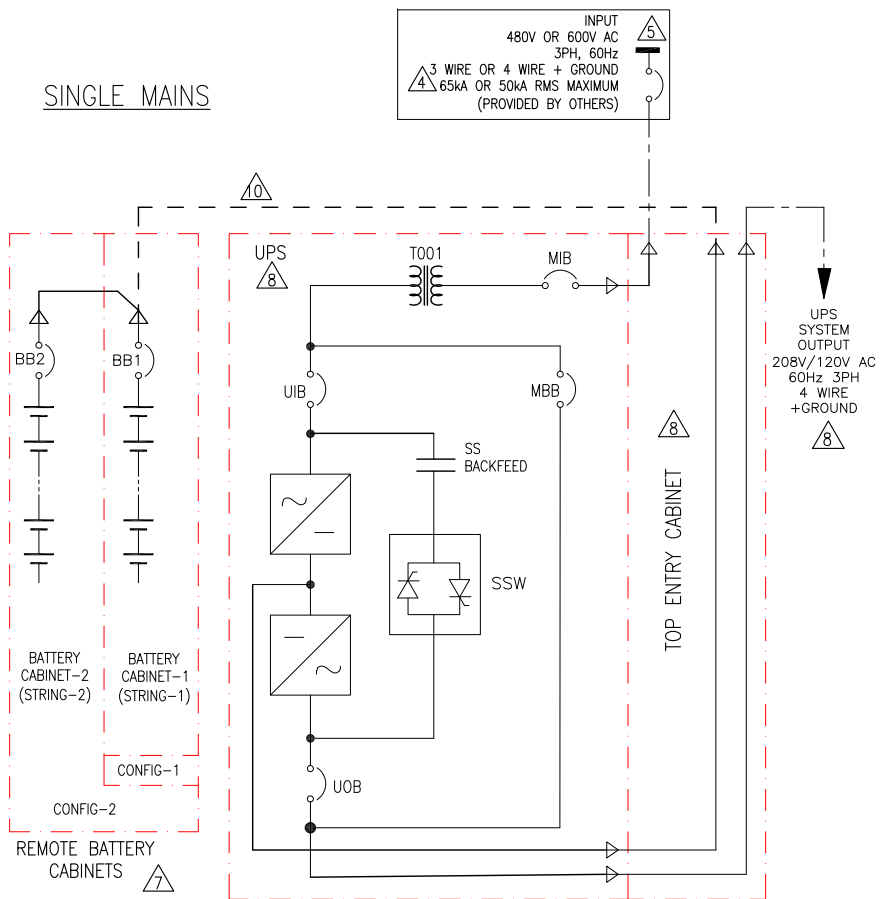
Schneider Electric

TITLE: GUTOR PXC
 Input: 480V OR 600V AC 3PH SINGLE/DUAL MAINS
 Output: 208V/120V AC 3PH 25/37.5 kW
 1 MODULE UPS TOP ENTRY W/ ADJ. BATT CABINETS
 SYSTEM ONE LINE DIAGRAM
PROJECT: DRAWINGS **SHEET:** 3 OF 7

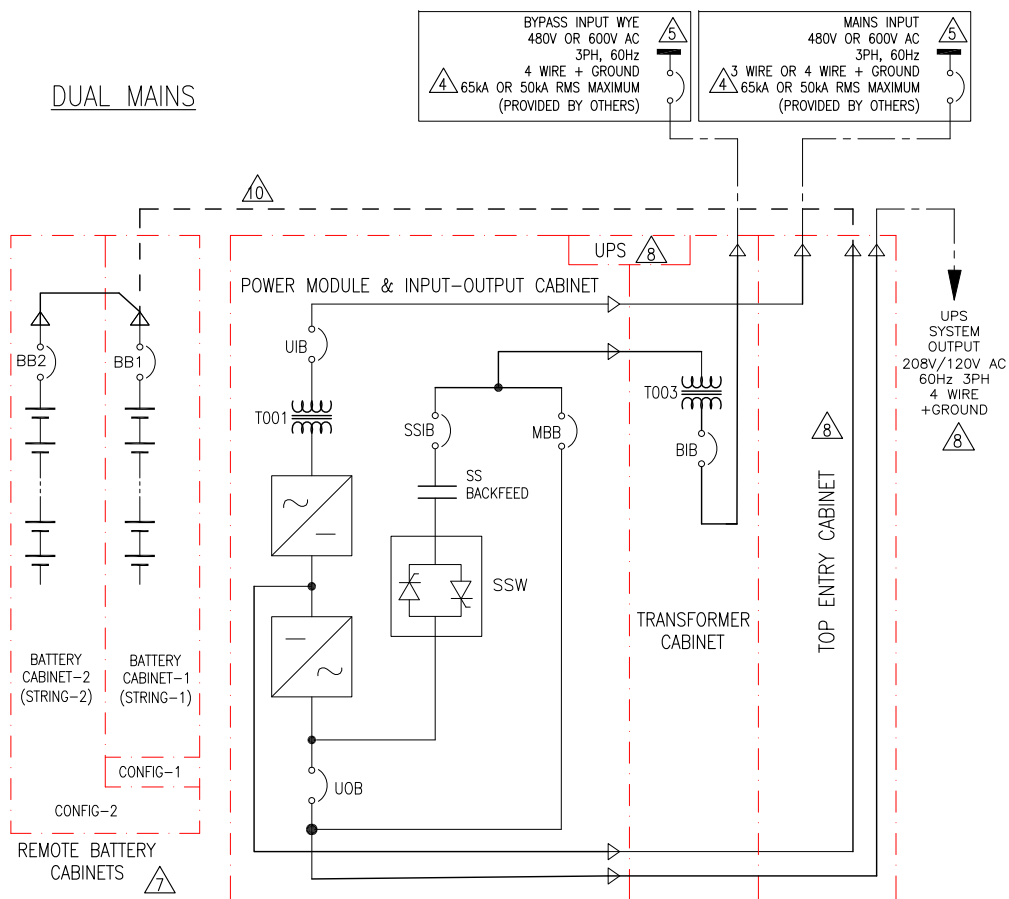
DWG NO: GUPXC25K37LGFTBC1-SD	REV: 1
DRAWN BY: LPG / BALA	19-OCT-17
ENGINEER: W WATKINS/A SINGH	19-OCT-17
APPROVED BY: I K / N B	19-OCT-17
ANGLE	PROJECTION
N. A.	

TOP ENTRY WITH REMOTE BATTERY CABINETS

SINGLE MAINS



DUAL MAINS



NOTES:

1. INSTALLATION SHALL COMPLY WITH ALL APPLICABLE NATIONAL, STATE AND LOCAL CODES.
2. REFER TO PRODUCT DOCUMENTATION FOR ADDITIONAL DETAILS PRIOR TO INSTALLATION AND SITE PREPARATION WORK.
3. DRAWING DEPICTS POWER SYSTEM CONNECTIONS AND IS NOT REPRESENTATIVE OF PHYSICAL LAYOUT, PLEASE REFER TO MECHANICAL DRAWINGS FOR PHYSICAL LAYOUT.
- △4. MAXIMUM SHORT CIRCUIT CURRENT IS 65kA AT 480V AND 50kA AT 600V.
- △5. SINGLE MAINS: INPUT TO BE 480V OR 600V AC 3PH 3 WIRE OR 4 WIRE+GROUND, EITHER SOLIDLY OR HIGH RESISTANCE GROUNDING, (CONTACT Schneider Electric IF OTHER).
DUAL MAINS: MAINS INPUT TO BE 480V OR 600V AC 3PH 3 WIRE OR 4 WIRE+GROUND, EITHER SOLIDLY OR HIGH RESISTANCE GROUNDING, (CONTACT Schneider Electric IF OTHER).
BYPASS INPUT TO BE 480V OR 600V AC 3PH WYE 4 WIRE+GROUND, EITHER SOLIDLY OR HIGH RESISTANCE GROUNDING, (CONTACT Schneider Electric IF OTHER).
6. CABLE LUGS ARE NOT PROVIDED.
- △7. TWO BATTERY CABINETS SHOWN, MAXIMUM OF 3 BATTERY CABINETS CAN BE BAYED. FOR RUNTIME DETAILS REFER TO INSTALLATION MANUAL OR CONTACT SCHNEIDER ELECTRIC.
- △8. FOR TECHNICAL SPECIFICATION, SKU NUMBERS ETC., REFER TO SHEET-7.
9. Schneider Electric RECOMMENDS TEMPERATURE RATING OF CONDUCTORS AT 90°C(194°F), REFERENCE TABLE 310.15(B)(16) OF NEC 75°C COLUMN, USE STANDARD COPPER CONDUCTORS (75°C(167°F) CABLE TERMINAL CONNECTORS ASSUMED).
- △10. Schneider Electric RECOMMENDS ALL CABLES SHALL BE SIZED IN ACCORDANCE WITH ARTICLE 210-19 OF NEC (FEEDER VOLTAGE DROP OF 3%). CONSULT YOUR LICENSED ENGINEER OF RECORDS FOR SITE-SPECIFIC *10MS/LR TIME CONSTANT CALCULATIONS FOR OVER-CURRENT PROTECTION AND BATTERY RUNTIMES.

LEGEND:

- — — AC CABLE (PROVIDED BY OTHERS)
- - - 500VDC CABLE (PROVIDED BY OTHERS)

THIS DRAWING AND SPECIFICATIONS HEREIN ARE THE PROPERTY OF SCHNEIDER ELECTRIC AND SHALL NOT BE COPIED, REPRODUCED OR USED IN WHOLE OR IN PART, AS THE BASIS FOR THE MANUFACTURE OR SALE OF ITEMS WITHOUT WRITTEN PERMISSION FROM SCHNEIDER ELECTRIC. THIS DRAWING IS BASED UPON LATEST AVAILABLE INFORMATION AND IS SUBJECT TO CHANGE WITHOUT NOTICE.

Schneider Electric

TITLE: GUTOR PXC
Input: 480V OR 600V AC 3PH SINGLE/DUAL MAINS
Output: 208V/120V AC 3PH 25/37.5 kW
1 MODULE UPS TOP ENTRY W/REMOTE BATT. CABINETS
SYSTEM ONE LINE DIAGRAM
PROJECT: DRAWINGS **SHEET** 4 OF 7

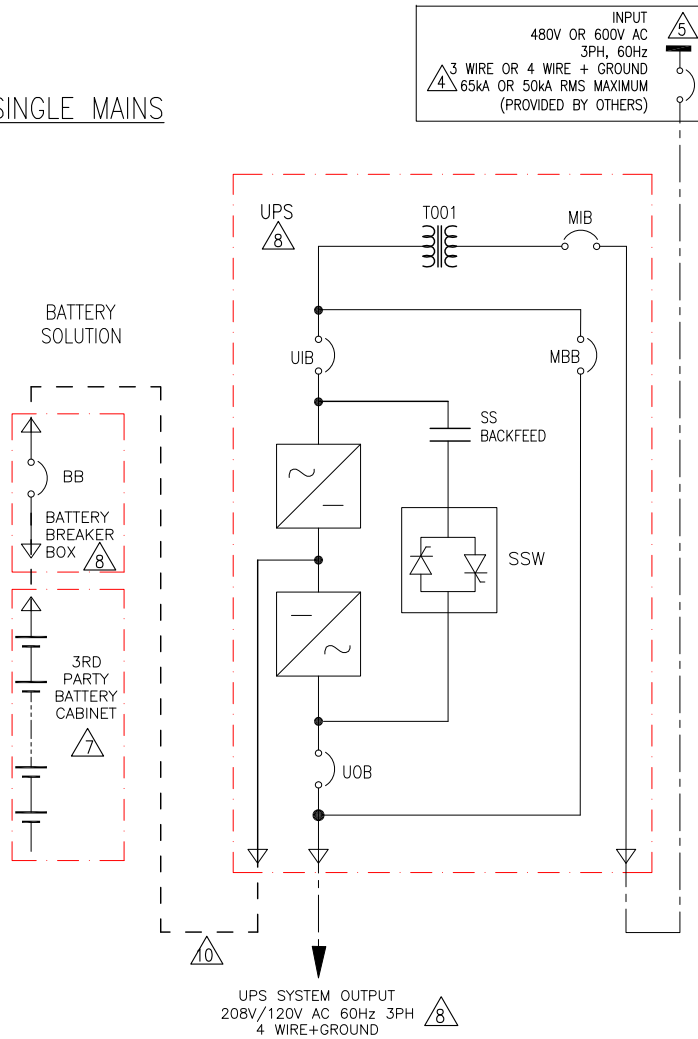
DWG NO: GUPXC25K37LGFBC1-SD

REV. 1

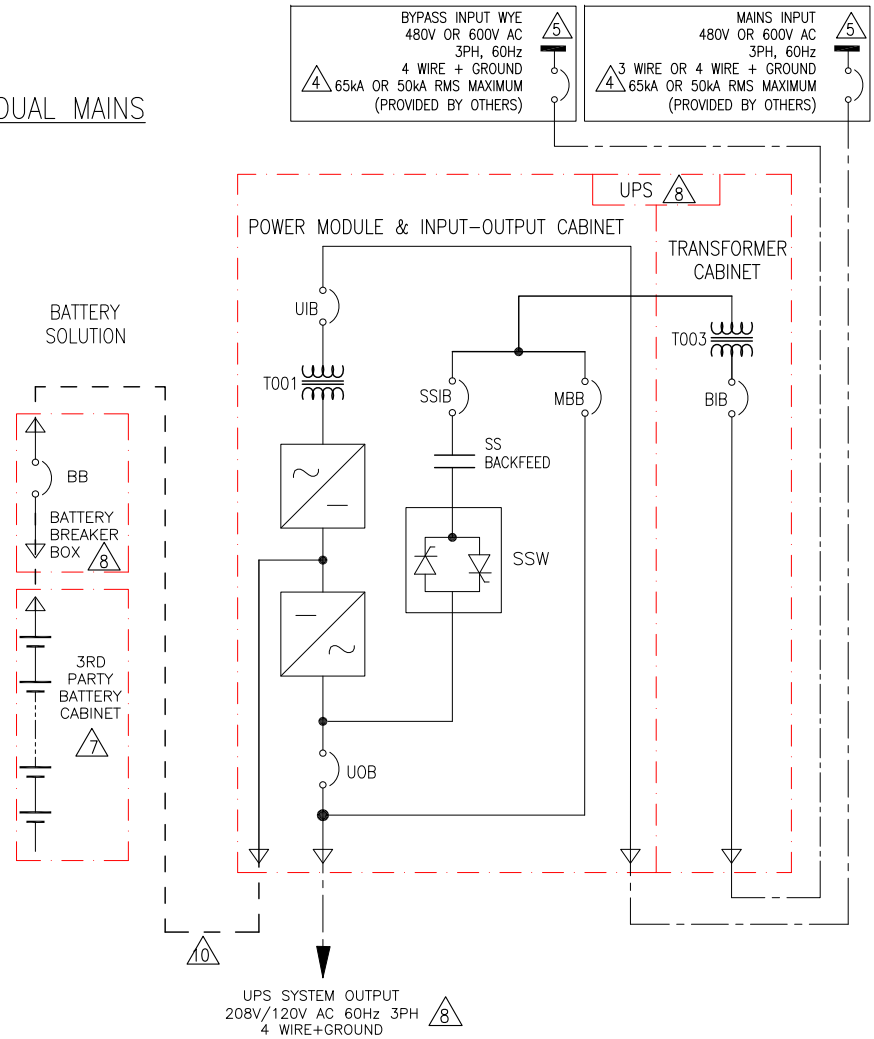
DRAWN BY: LPG / BALA 19-OCT-17 ANGLE
ENGINEER: W WATKINS/A SINGH 19-OCT-17 PROJECTION
APPROVED BY: I K / N B 19-OCT-17 N. A

BOTTOM ENTRY WITH 3RD PARTY BATTERY CABINETS

SINGLE MAINS



DUAL MAINS



NOTES:

1. INSTALLATION SHALL COMPLY WITH ALL APPLICABLE NATIONAL, STATE AND LOCAL CODES.
2. REFER TO PRODUCT DOCUMENTATION FOR ADDITIONAL DETAILS PRIOR TO INSTALLATION AND SITE PREPARATION WORK.
3. DRAWING DEPICTS POWER SYSTEM CONNECTIONS AND IS NOT REPRESENTATIVE OF PHYSICAL LAYOUT, PLEASE REFER TO MECHANICAL DRAWINGS FOR PHYSICAL LAYOUT.
- △4. MAXIMUM SHORT CIRCUIT CURRENT IS 65kA AT 480V AND 50kA AT 600V.
- △5. SINGLE MAINS: INPUT TO BE 480V OR 600V AC 3PH 3 WIRE OR 4 WIRE+GROUND, EITHER SOLIDLY OR HIGH RESISTANCE GROUNDED, (CONTACT Schneider Electric IF OTHER).
DUAL MAINS: MAINS INPUT TO BE 480V OR 600V AC 3PH 3 WIRE OR 4 WIRE+GROUND, EITHER SOLIDLY OR HIGH RESISTANCE GROUNDED, (CONTACT Schneider Electric IF OTHER).
BYPASS INPUT TO BE 480V OR 600V AC 3PH WYE 4 WIRE+GROUND, EITHER SOLIDLY OR HIGH RESISTANCE GROUNDED, (CONTACT Schneider Electric IF OTHER).
6. CABLE LUGS ARE NOT PROVIDED.
- △7. MAXIMUM THREE STRINGS CAN BE CONNECTED. ONLY ONE STRING SHOWN FOR ILLUSTRATION PURPOSE.
- △8. FOR TECHNICAL SPECIFICATION, SKU NUMBERS ETC., REFER TO SHEET-7.
9. Schneider Electric RECOMMENDS TEMPERATURE RATING OF CONDUCTORS AT 90°C(194°F), REFERENCE TABLE 310.15(B)(16) OF NEC 75°C COLUMN, USE STANDARD COPPER CONDUCTORS (75°C(167°F) CABLE TERMINAL CONNECTORS ASSUMED).
- △10. Schneider Electric RECOMMENDS ALL CABLES SHALL BE SIZED IN ACCORDANCE WITH ARTICLE 210-19 OF NEC (FEEDER VOLTAGE DROP OF 3%). CONSULT YOUR LICENSED ENGINEER OF RECORDS FOR SITE-SPECIFIC *10MS/LR TIME CONSTANT CALCULATIONS FOR OVER-CURRENT PROTECTION AND BATTERY RUNTIMES.

LEGEND:

- AC CABLE (PROVIDED BY OTHERS)
- 500VDC CABLE (PROVIDED BY OTHERS)

THIS DRAWING AND SPECIFICATIONS HEREIN ARE THE PROPERTY OF SCHNEIDER ELECTRIC AND SHALL NOT BE COPIED, REPRODUCED OR USED IN WHOLE OR IN PART, AS THE BASIS FOR THE MANUFACTURE OR SALE OF ITEMS WITHOUT WRITTEN PERMISSION FROM SCHNEIDER ELECTRIC. THIS DRAWING IS BASED UPON LATEST AVAILABLE INFORMATION AND IS SUBJECT TO CHANGE WITHOUT NOTICE.



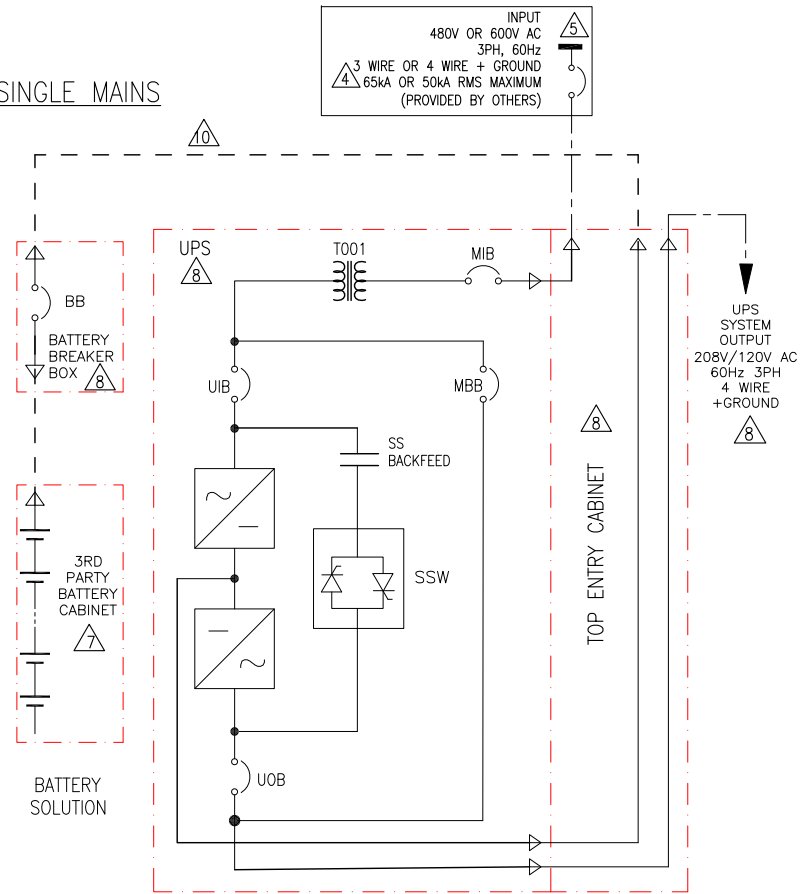
TITLE: GUTOR PXC
 Input: 480V OR 600V AC 3PH SINGLE/DUAL MAINS
 Output: 208V/120V AC 3PH 25/37.5 kW
 1 MOD UPS BOT ENTRY W/3RD PARTY BATT. CABINETS
 SYSTEM ONE LINE DIAGRAM
PROJECT: DRAWINGS **SHEET 5 OF 7**

DWG NO: GUPXC25K37LGFBC1-SD	REV. 0
DRAWN BY: LPG / BALA	26-SEP-17
ENGINEER: W WATKINS/A SINGH	27-SEP-17
APPROVED BY: I K / N B	27-SEP-17

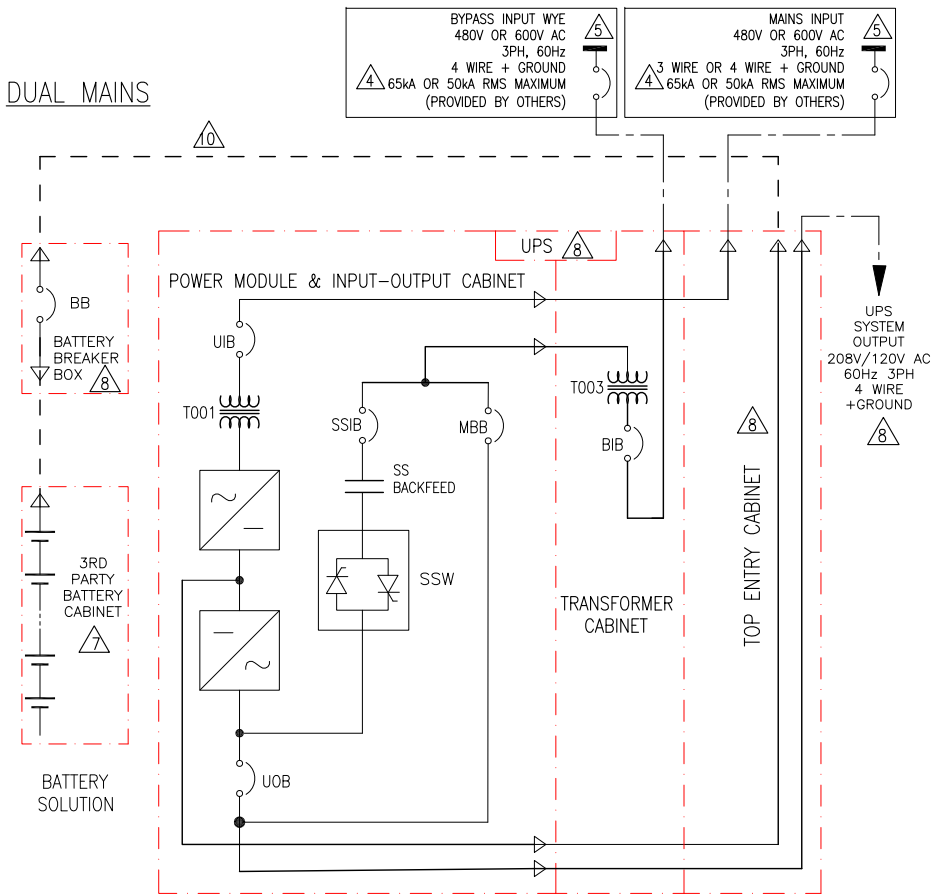
ANGLE PROJECTION
N.A.

TOP ENTRY WITH 3RD PARTY BATTERY CABINETS

SINGLE MAINS



DUAL MAINS



NOTES:

1. INSTALLATION SHALL COMPLY WITH ALL APPLICABLE NATIONAL, STATE AND LOCAL CODES.
2. REFER TO PRODUCT DOCUMENTATION FOR ADDITIONAL DETAILS PRIOR TO INSTALLATION AND SITE PREPARATION WORK.
3. DRAWING DEPICTS POWER SYSTEM CONNECTIONS AND IS NOT REPRESENTATIVE OF PHYSICAL LAYOUT, PLEASE REFER TO MECHANICAL DRAWINGS FOR PHYSICAL LAYOUT.
- △4. MAXIMUM SHORT CIRCUIT CURRENT IS 65kA AT 480V AND 50kA AT 600V.
- △5. SINGLE MAINS: INPUT TO BE 480V OR 600V AC 3PH 3 WIRE OR 4 WIRE+GROUND, EITHER SOLIDLY OR HIGH RESISTANCE GROUNDED, (CONTACT Schneider Electric IF OTHER).
DUAL MAINS: MAINS INPUT TO BE 480V OR 600V AC 3PH 3 WIRE OR 4 WIRE+GROUND, EITHER SOLIDLY OR HIGH RESISTANCE GROUNDED, (CONTACT Schneider Electric IF OTHER).
BYPASS INPUT TO BE 480V OR 600V AC 3PH WYE 4 WIRE+GROUND, EITHER SOLIDLY OR HIGH RESISTANCE GROUNDED, (CONTACT Schneider Electric IF OTHER).
6. CABLE LUGS ARE NOT PROVIDED.
- △7. MAXIMUM THREE STRINGS CAN BE CONNECTED. ONLY ONE STRING SHOWN FOR ILLUSTRATION PURPOSE.
- △8. FOR TECHNICAL SPECIFICATION, SKU NUMBERS ETC., REFER TO SHEET-7.
9. Schneider Electric RECOMMENDS TEMPERATURE RATING OF CONDUCTORS AT 90°C(194°F), REFERENCE TABLE 310.15(B)(16) OF NEC 75°C COLUMN, USE STANDARD COPPER CONDUCTORS (75°C(167°F) CABLE TERMINAL CONNECTORS ASSUMED).
- △10. Schneider Electric RECOMMENDS ALL CABLES SHALL BE SIZED IN ACCORDANCE WITH ARTICLE 210-19 OF NEC (FEEDER VOLTAGE DROP OF 3%). CONSULT YOUR LICENSED ENGINEER OF RECORDS FOR SITE-SPECIFIC *10MS/LR TIME CONSTANT CALCULATIONS FOR OVER-CURRENT PROTECTION AND BATTERY RUNTIMES.

LEGEND:

- AC CABLE (PROVIDED BY OTHERS)
- - - 500VDC CABLE (PROVIDED BY OTHERS)

THIS DRAWING AND SPECIFICATIONS HEREIN ARE THE PROPERTY OF SCHNEIDER ELECTRIC AND SHALL NOT BE COPIED, REPRODUCED OR USED IN WHOLE OR IN PART, AS THE BASIS FOR THE MANUFACTURE OR SALE OF ITEMS WITHOUT WRITTEN PERMISSION FROM SCHNEIDER ELECTRIC. THIS DRAWING IS BASED UPON LATEST AVAILABLE INFORMATION AND IS SUBJECT TO CHANGE WITHOUT NOTICE.

Schneider Electric

TITLE: GUTOR PXC
Input: 480V OR 600V AC 3PH SINGLE/DUAL MAINS
Output: 208V/120V AC 3PH 25/37.5 kW
1 MOD UPS TOP ENTRY W/3R PARTY BATT. CABINETS
SYSTEM ONE LINE DIAGRAM

DWG NO: GUPXC25K37LGFBC1-SD

REV. 1

DRAWN BY: LPG / BALA 19-OCT-17 ANGLE

ENGINEER: W WATKINS/A SINGH 19-OCT-17 PROJECTION

APPROVED BY: I K / N B 19-OCT-17 N. A

PROJECT: DRAWINGS **SHEET** 6 OF 7

GUTOR PXC 25–37.5kW, SINGLE INPUT MODULE SITE PLANNING DATA

UPS RATING KVA/KW	UPS SKU NUMBER	QTY OF 12.5kW POWER MODULES	INPUT 480V OR 600V					INPUT AFTER TRANSFORMER 208V					MAINTENANCE BYPASS AND OUTPUT 208V			BATTERY				
			NOMINAL VOLTAGE (V)	NOMINAL CURRENT (A)	MAXIMUM CURRENT (A)	MIB & RECOMMENDED EXTERNAL UPSTREAM OCPD (80% RATED)		NOMINAL CURRENT (A)	MAXIMUM CURRENT (A)	UIB		NOMINAL CURRENT (A)	TRIP/FRAME RATING	SCHNEIDER ELECTRIC PART NUMBER	MBB, UOB & RECOMMENDED EXTERNAL OUTPUT OCPD (80% RATED)		FULL LOAD CURRENT ⊗ NOM. VOLTAGE (384VDC) (A)	FULL LOAD CURRENT ⊗ EOD (321VDC) (A)	BATTERY OCPD (BB)	
						TRIP/FRAME RATING	SCHNEIDER ELECTRIC PART NUMBER			TRIP/FRAME RATING	SCHNEIDER ELECTRIC PART NUMBER				TRIP/FRAME RATING	SCHNEIDER ELECTRIC PART NUMBER				
25	GUPXC25GFI	2	480	33	42	80AT/150AF	HJF36080	76	91	125AT/150AF	HGL36125	69	90AT/150AF	HGF36090	69	83	150AT/250AF	JLL37150D81		
	GUPXC25LFI		600	27	33	70AT/150AF	HLF36070	78	91	125AT/150AF	HGL36125	69	90AT/150AF	HGF36090	69	83	150AT/250AF	JLL37150D81		
37.5	GUPXC37GFI	3	480	50	63	100AT/150AF	HJF36100	115	137	175AT/250AF	JGL36175	104	150AT/150AF	JGL36150	104	124	150AT/250AF	JLL37150D81		
	GUPXC37LFI		600	40	50	90AT/150AF	HLF36090	115	137	175AT/250AF	JGL36175	104	150AT/150AF	JGL36150	104	124	150AT/250AF	JLL37150D81		

GUTOR PXC 25–37.5kW, DUAL INPUT MODULE SITE PLANNING DATA

UPS RATING KVA/KW	UPS SKU NUMBER	QTY OF 12.5kW POWER MODULES	INPUT 480V OR 600V					BYPASS 480V OR 600V					MAINT BYPASS, INT BYPASS AND OUTPUT 208V			BATTERY				
			NOMINAL VOLTAGE (V)	NOMINAL CURRENT (A)	MAXIMUM CURRENT (A)	UIB & RECOMMENDED EXTERNAL UPSTREAM OCPD (80% RATED)		NOMINAL CURRENT (A)	MAXIMUM CURRENT (A)	BIB & RECOMMENDED EXTERNAL UPSTREAM OCPD (80% RATED)		NOMINAL CURRENT (A)	TRIP/FRAME RATING	SCHNEIDER ELECTRIC PART NUMBER	MBB, SSIB, UOB & RECOMMENDED EXTERNAL OUTPUT OCPD (80% RATED)		FULL LOAD CURRENT ⊗ NOM. VOLTAGE (384VDC) (A)	FULL LOAD CURRENT ⊗ EOD (321VDC) (A)	BATTERY OCPD (BB)	
						TRIP/FRAME RATING	SCHNEIDER ELECTRIC PART NUMBER			TRIP/FRAME RATING	SCHNEIDER ELECTRIC PART NUMBER				TRIP/FRAME RATING	SCHNEIDER ELECTRIC PART NUMBER				
25	GUPXC25GFDI	2	480	33	42	80AT/150AF	HJF36080	30	30	80AT/150AF	HJF36080	69	90AT/150AF	HGF36090	69	83	150AT/250AF	JLL37150D81		
	GUPXC25LFDI		600	27	33	70AT/150AF	HLF36070	24	24	70AT/150AF	HLF36070	69	90AT/150AF	HGF36090	69	83	150AT/250AF	JLL37150D81		
37.5	GUPXC37GFDI	3	480	50	63	100AT/150AF	HJF36100	45	45	100AT/150AF	HJF36100	104	150AT/150AF	JGL36150	104	124	150AT/250AF	JLL37150D81		
	GUPXC37LFDI		600	40	50	90AT/150AF	HLF36090	36	36	90AT/150AF	HLF36090	104	150AT/150AF	JGL36150	104	124	150AT/250AF	JLL37150D81		

- NOTES:**
- INSTALLATION SHALL COMPLY WITH ALL APPLICABLE NATIONAL, STATE AND LOCAL CODES.
 - REFER TO PRODUCT DOCUMENTATION FOR ADDITIONAL DETAILS PRIOR TO INSTALLATION AND SITE PREPARATION WORK.
 - FOR BATTERY RUNTIME DATA REFER TO INSTALLATION MANUAL OR CONTACT SCHNEIDER ELECTRIC.
 - NOMINAL INPUT CURRENT BASED ON NOMINAL MAINS VOLTAGE + BATTERIES FULLY CHARGED AT RATED LOAD.
 - MAXIMUM INPUT CURRENT BASED ON FULL BATTERY RECHARGE + NOMINAL MAINS VOLTAGE AT RATED LOAD.
 - SUGGESTED INPUT OCPD BASED ON CONTINUOUS LOAD (OCPD=OVER CURRENT PROTECTION DEVICE).
 - FINAL SELECTIONS ARE RESPONSIBILITY OF ENGINEER OF RECORDS BASED ON INSTALLED CONDITIONS AND SHORT CIRCUIT CURRENT/SELECTIVE CO-ORDINATION/ARC-FLASH ANALYSIS.
 - SKU NUMBER FOR TOP ENTRY CABINET: GUPXCAT
 - SKU NUMBER FOR BATTERY BREAKER BOX: GUPXCD37B FOR 25KVA UPS & 37.5KVA UPS.
 - POWER AND CONTROL WIRING SHOULD BE SEGREGATED.

THIS DRAWING AND SPECIFICATIONS HEREIN ARE THE PROPERTY OF SCHNEIDER ELECTRIC AND SHALL NOT BE COPIED, REPRODUCED OR USED IN WHOLE OR IN PART, AS THE BASIS FOR THE MANUFACTURE OR SALE OF ITEMS WITHOUT WRITTEN PERMISSION FROM SCHNEIDER ELECTRIC. THIS DRAWING IS BASED UPON LATEST AVAILABLE INFORMATION AND IS SUBJECT TO CHANGE WITHOUT NOTICE.



TITLE: GUTOR PXC
 Input: 480 OR 600V AC 3PH SINGLE/DUAL MAINS
 Output: 208V/120V AC 3PH 25/37.5 kW
 1 MODULE UPS WITH BATTERY SOLUTION
 SITE PLANNING DATA

PROJECT: DRAWINGS **SHEET 7 OF 7**

DWG NO: GUPXC25K37LGFBC1-SD **REV.** 0

DRAWN BY: LPG / BALA **26-SEP-17** **ANGLE**

ENGINEER: W WATKINS/A SINGH **27-SEP-17** **PROJECTION**

APPROVED BY: I K / N B **27-SEP-17** **N.A.**