

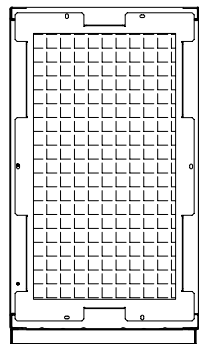
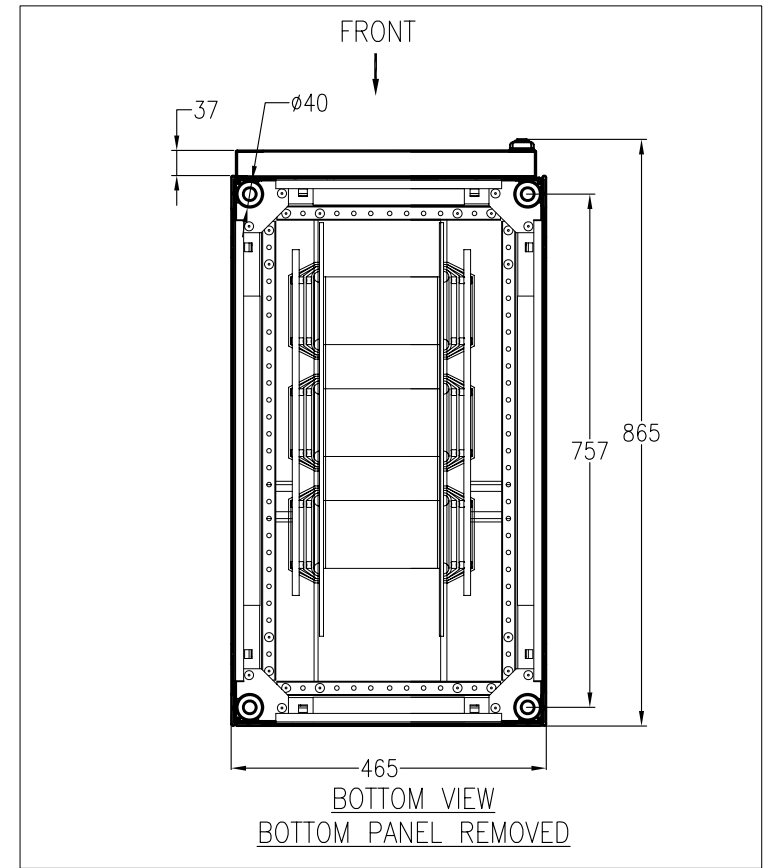
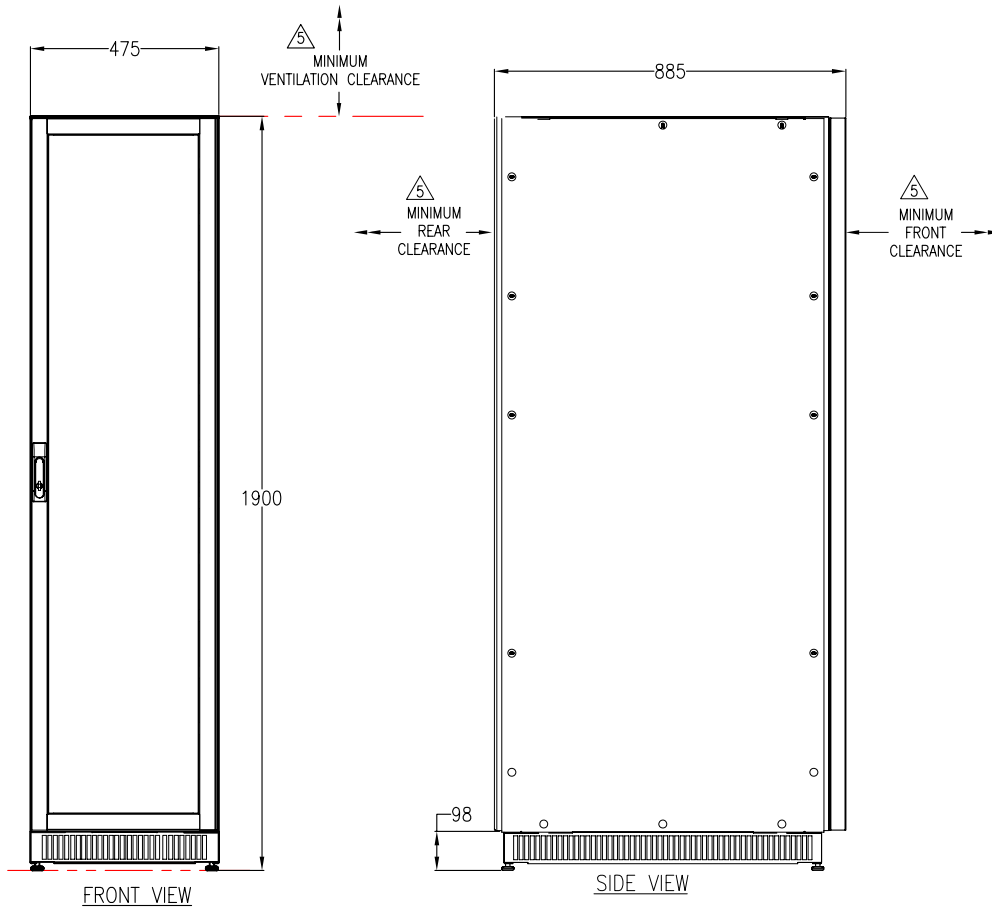
FRONT

- NOTES:
1. INSTALLATION SHALL COMPLY WITH ALL APPLICABLE NATIONAL AND LOCAL ELECTRICAL REGULATIONS.
 2. PLEASE REFER TO PRODUCT MANUALS FOR ADDITIONAL DETAILS.
 3. ALL DIMENSIONS ARE IN MILLIMETERS UNLESS OTHERWISE SPECIFIED.

THIS DRAWING AND SPECIFICATIONS HEREIN ARE THE PROPERTY OF SCHNEIDER ELECTRIC AND SHALL NOT BE COPIED, REPRODUCED OR USED IN WHOLE OR IN PART, AS THE BASIS FOR THE MANUFACTURE OR SALE OF ITEMS WITHOUT WRITTEN PERMISSION FROM SCHNEIDER ELECTRIC. THIS DRAWING IS BASED UPON LATEST AVAILABLE INFORMATION AND IS SUBJECT TO CHANGE WITHOUT NOTICE.



TITLE:	MGE GALAXY 5500 TRANSFORMER CABINET WITH SIDE PANELS 40kVA, 400V ISOMETRIC VIEW	DWG NO:	G55TTC40RH	REV:	0
DRAWN:	SHAHID ALI	25-JUN-12	FIRST	ANGLE	
ENGINEER:	Y NGUYEN	25-JUN-12			
PROJECT:	SUBMITTAL DRAWINGS SHEET 1 OF 3	APPROVED:	J CAMPBELL/C LARSEN	25-JUN-12	PROJECTION



NOTES:

1. INSTALLATION SHALL COMPLY WITH ALL APPLICABLE NATIONAL AND LOCAL ELECTRICAL REGULATIONS.
2. PLEASE REFER TO PRODUCT MANUALS FOR ADDITIONAL DETAILS.
3. ALL DIMENSIONS ARE IN MILLIMETERS UNLESS OTHERWISE SPECIFIED.
4. COLOR: SILVER METALLIC, DARK GRAY.
- △5. RECOMMENDED CLEARANCE IS SUBJECT TO NATIONAL AND LOCAL CODES
 - 914 RECOMMENDED FRONT CLEARANCE.
 - 610 RECOMMENDED REAR CLEARANCE.
 - 610 RECOMMENDED TOP CLEARANCE FOR VENTILATION.
6. OPERATING TEMPERATURE: 0°C MIN. TO 40°C MAX.
RECOMMENDED OPERATING RANGE: 15°C TO 25°C.
7. POWER CABLES SHALL BE IN SEPARATE CONDUITS FROM CONTROL AND COMMUNICATION CABLES.
8. ENCLOSURE PROTECTION RATING IP20.
9. TOTAL WEIGHT OF THE UNIT IS 260 kg.

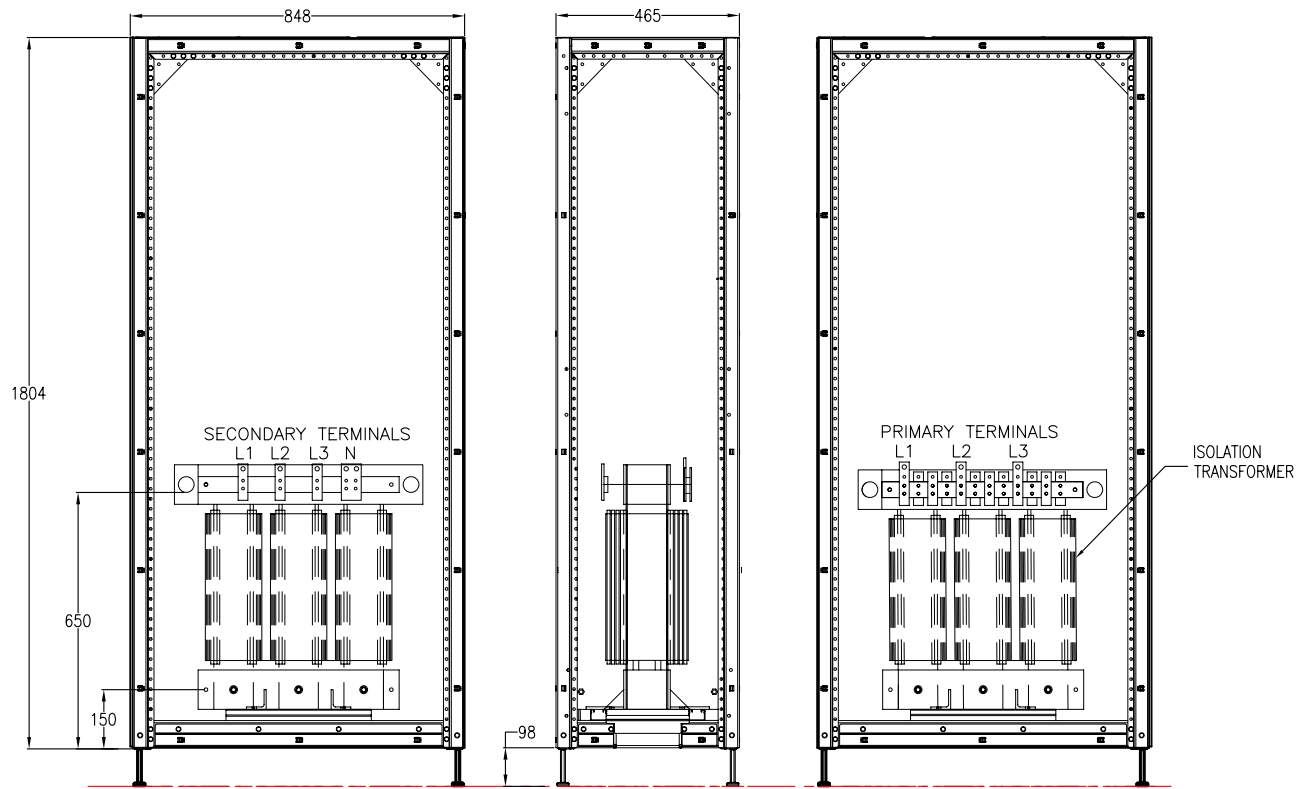
THIS DRAWING AND SPECIFICATIONS HEREIN ARE THE PROPERTY OF SCHNEIDER ELECTRIC AND SHALL NOT BE COPIED, REPRODUCED OR USED IN WHOLE OR IN PART, AS THE BASIS FOR THE MANUFACTURE OR SALE OF ITEMS WITHOUT WRITTEN PERMISSION FROM SCHNEIDER ELECTRIC. THIS DRAWING IS BASED UPON LATEST AVAILABLE INFORMATION AND IS SUBJECT TO CHANGE WITHOUT NOTICE.

Schneider Electric

TITLE:
MGE GALAXY 5500
TRANSFORMER CABINET WITH SIDE PANELS
40kVA, 400V
MAIN MECHANICAL

PROJECT: SUBMITTAL DRAWINGS SHEET 2 OF 3

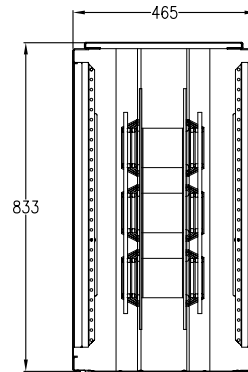
DWG NO:	G55TTC40RH		REV:	0
DRAWN:	SHAHID ALI	25-JUN-12	FIRST	
ENGINEER:	Y NGUYEN	25-JUN-12	ANGLE	
APPROVED:	J CAMPBELL/C LARSEN	25-JUN-12	PROJECTION	



RIGHT SIDE VIEW
WITHOUT COVERS & PANELS

FRONT VIEW
WITHOUT COVERS & PANELS

LEFT SIDE VIEW
WITHOUT COVERS & PANELS



TOP VIEW
(ROOF COVER NOT SHOWN)

NOTES:

1. INSTALLATION SHALL COMPLY WITH ALL APPLICABLE NATIONAL AND LOCAL ELECTRICAL REGULATIONS.
2. PLEASE REFER TO PRODUCT MANUALS FOR ADDITIONAL DETAILS PRIOR TO INSTALLATION AND SITE PREPARATION WORK.
3. ALL DIMENSIONS ARE IN MILLIMETERS UNLESS OTHERWISE SPECIFIED.
4. SOME STRUCTURAL DETAILS HAVE BEEN OMITTED FOR THE PURPOSE OF CLARITY.

THIS DRAWING AND SPECIFICATIONS HEREIN ARE THE PROPERTY OF SCHNEIDER ELECTRIC AND SHALL NOT BE COPIED, REPRODUCED OR USED IN WHOLE OR IN PART, AS THE BASIS FOR THE MANUFACTURE OR SALE OF ITEMS WITHOUT WRITTEN PERMISSION FROM SCHNEIDER ELECTRIC. THIS DRAWING IS BASED UPON LATEST AVAILABLE INFORMATION AND IS SUBJECT TO CHANGE WITHOUT NOTICE.



TITLE:
MGE GALAXY 5500
TRANSFORMER CABINET WITH SIDE PANELS
40kVA, 400V
INTERNAL VIEW
PROJECT: SUBMITTAL DRAWINGS SHEET 3 OF 3

DWG NO:	G55TTC40RH		REV:	0
DRAWN:	SHAHID ALI	25-JUN-12	FIRST	ANGLE
ENGINEER:	Y NGUYEN	25-JUN-12		
APPROVED:	J CAMPBELL/C LARSEN	25-JUN-12		PROJECTION